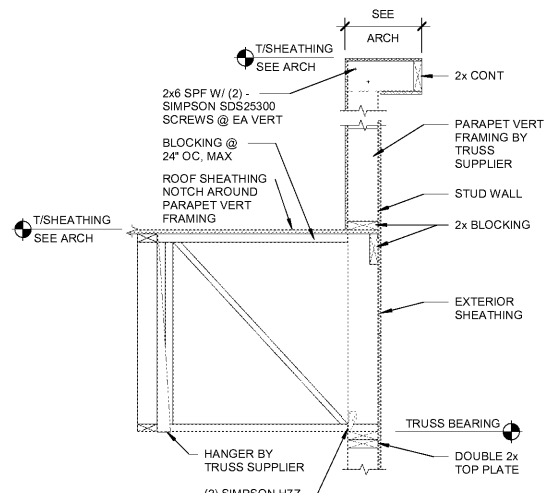
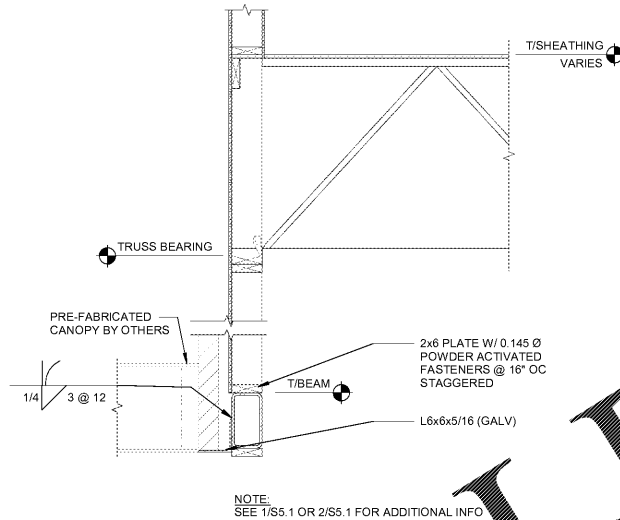


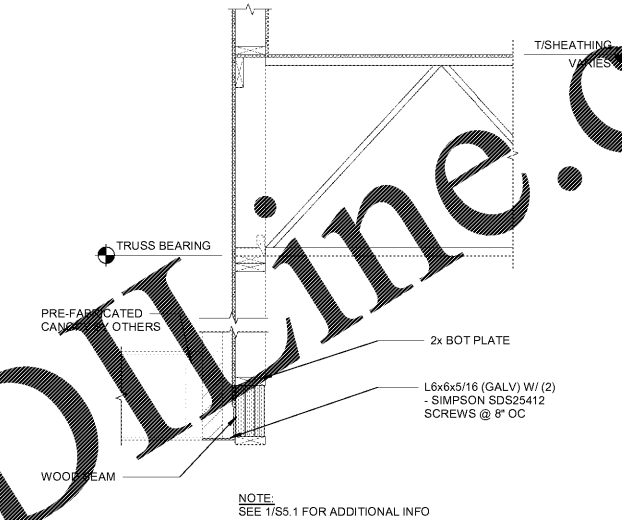
1 SECTION
S5.1 SCALE: 3/4" = 1'-0"



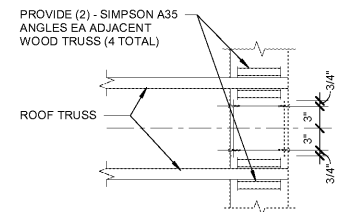
2 SECTION
S5.1 SCALE: 3/4" = 1'-0"



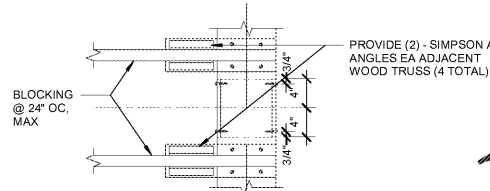
3 SECTION
S5.1 SCALE: 3/4" = 1'-0"



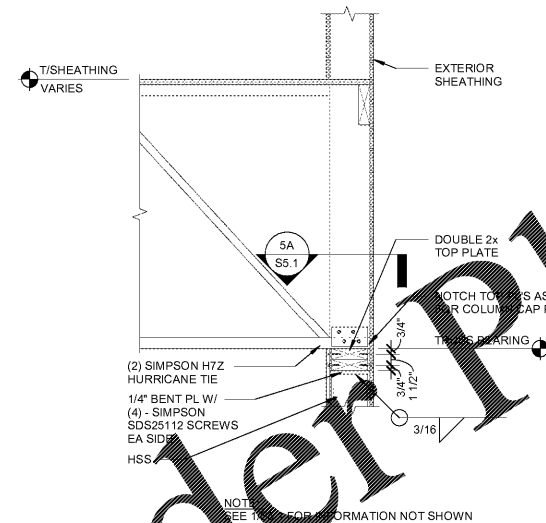
4 SECTION
S5.1 SCALE: 3/4" = 1'-0"



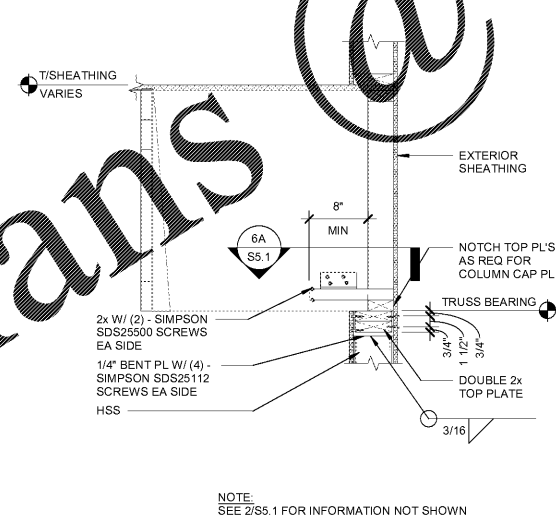
SECTION 5A



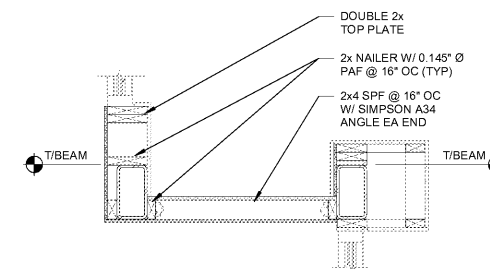
SECTION 6A



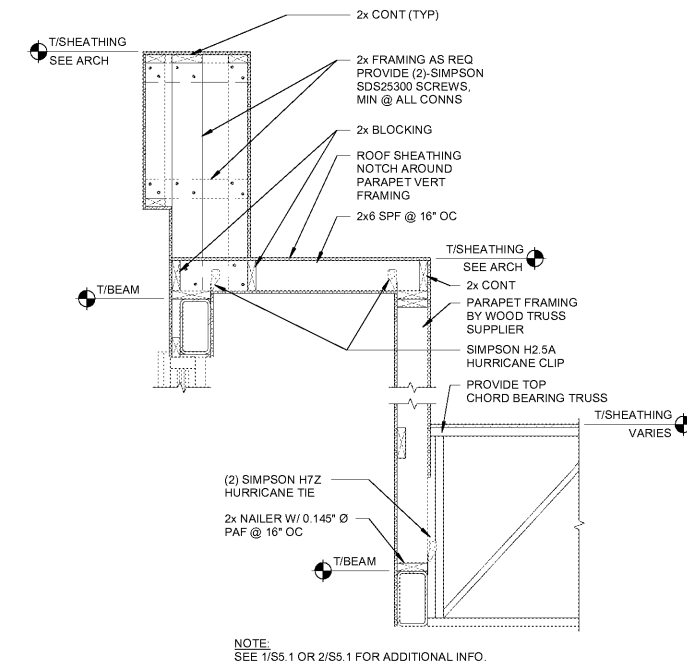
5 SECTION
S5.1 SCALE: 1" = 1'-0"



6 SECTION
S5.1 SCALE: 1" = 1'-0"



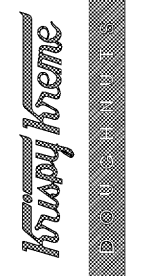
7 SECTION
S5.1 SCALE: 3/4" = 1'-0"



8 SECTION
S5.1 SCALE: 3/4" = 1'-0"

WWW.LDIDLINE.COM

Order Plans @



SEAL:	
DATE:	08/01/18
PROJECT NO.:	18-004
CHECKED BY:	Checker
DRAWN BY:	Author
SHEET TITLE:	FRAMING SECTIONS & DETAILS
SHEET NO.:	