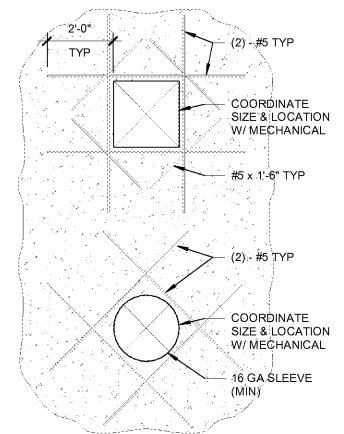
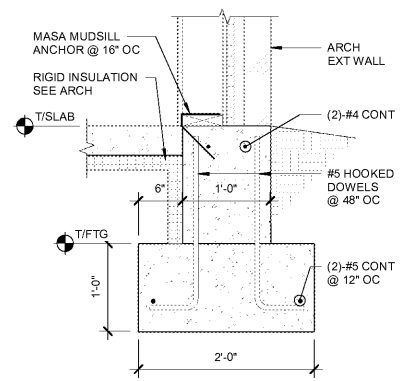


1 TYPICAL PIER AT WALL AND CORNER
S3.1 SCALE: 1" = 1'-0"

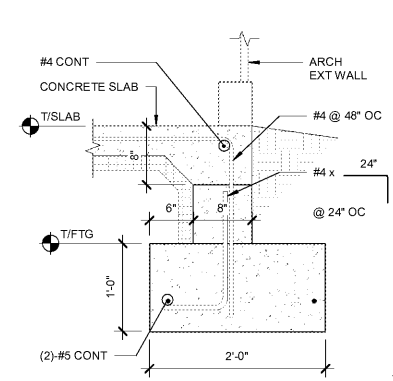


- NOTES:
1. APPLIES TO 24" (MAX) OPENINGS THROUGH FOUNDATION WALL.
 2. TOP OF OPENING TO BE 24" (MIN) FROM TOP OF WALL.
 3. REINFORCING LAYERS TO MATCH FOUNDATION WALL.
 4. USE 90° STANDARD HOOK AT CORNERS AND ENDS OF WALL.

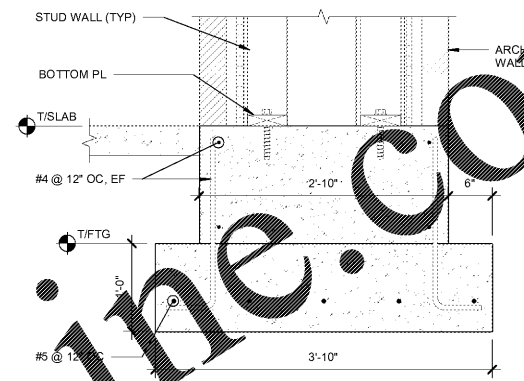
2 TYPICAL CONCRETE WALL PENETRATION
S3.1 SCALE: 3/8" = 1'-0"



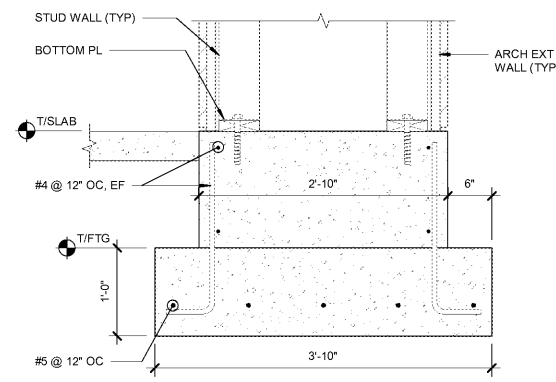
3 SECTION
S3.1 SCALE: 1" = 1'-0"



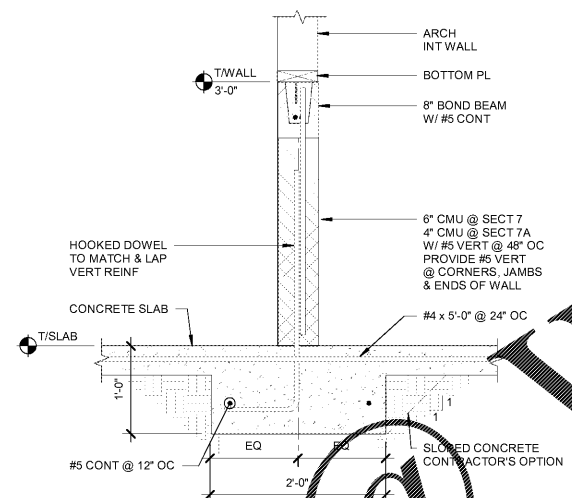
4 SECTION
S3.1 SCALE: 1" = 1'-0"



5 SECTION
S3.1 SCALE: 1" = 1'-0"



6 SECTION
S3.1 SCALE: 1" = 1'-0"



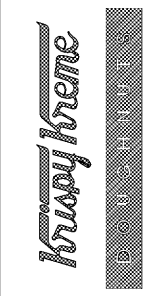
7 SECTION
S3.1 SCALE: 1" = 1'-0"

Order Plans @ www.LDILine.com

GEORGE SARFATY, IA
100 Shree Blvd, Suite 415, Sarasota, Florida 34231
Phone: 941.554.1111
Fax: 941.554.1112
Copyright © 2018

CORE engineering
Client-focused | Creative
Collaborative | Communicative
12308 N. Corporate Pkwy, Suite 300
Mecosta, WI 53092 | 262.236.9372
CAE Project #: 18040

KRISPY KREME DOUGHNUTS
1730 EAST 9 MILE ROAD
PENSACOLA, FL 32514



SEAL:	
DATE:	08/01/18
PROJECT NO.:	18-004
CHECKED BY:	Checker
DRAWN BY:	Author
SHEET TITLE:	FOUNDATION SECTIONS & DETAILS
SHEET NO.:	

S3.1