

STEEL COLUMN SCHEDULE																
19'-6"															19'-6"	
15'-2"															15'-2"	
14'-4"															14'-4"	
10'-0"															10'-0"	
10'-0"															10'-0"	
FOUNDATION															FOUNDATION	
0"															0"	
Column Locations	A-1	A-2	B-1	B-2	B-3	B-4	B-5	B-6	B-7	C-7	D-7	D-8	E-7	E-8	F-4.2	F-7
B/Base PL EL	0'-1 1/2"	0'-1 1/2"	0'-1 1/2"	0'-1 1/2"	-0'-6 1/2"	-0'-6 1/2"	-0'-6 1/2"	-0'-6 1/2"	-0'-6 1/2"	-0'-6 1/2"	0'-1 1/2"	0'-1 1/2"	1'-2"	1'-2"	-0'-6 1/2"	-0'-6 1/2"
Base PL Size	11" x 11"	11" x 11"	11" x 11"	11" x 11"	11" x 11"	11" x 11"	11" x 11"	11" x 11"	11" x 11"	11" x 11"	11" x 11"	11" x 11"	14" x 11"	11" x 11"	11" x 11"	11" x 11"
Base PL Thick	3/4"	3/4"	3/4"	3/4"	3/4"	3/4"	3/4"	3/4"	3/4"	3/4"	3/4"	3/4"	3/4"	3/4"	3/4"	3/4"
Anchor Rods	3/4" Ø	3/4" Ø	3/4" Ø	3/4" Ø	3/4" Ø	3/4" Ø	3/4" Ø	3/4" Ø	3/4" Ø	3/4" Ø	3/4" Ø	3/4" Ø	3/4" Ø	3/4" Ø	3/4" Ø	3/4" Ø
Base PL Detail	1/S0.2	1/S0.2	1/S0.2	1/S0.2	1/S0.2	1/S0.2	1/S0.2	1/S0.2	2/S0.2	1/S0.2	1/S0.2	1/S0.2	3/S0.2	1/S0.2	1/S0.2	4/S0.2
Remarks																

SHEARWALL SCHEDULE									
MARK	BLOCKED/UNBLOCKED	EXTERIOR SHEATHING		INTERIOR SHEATHING		OTHER			
		TYPE	FASTENING	TYPE	FASTENING	HOLD DOWN / STRAP EACH END	ANCHOR RODS	END POSTS	SILL PLATE ANCHORS
SW1	BLOCKED	APA RATED 15/32"	8d (1 3/8" PEN MIN) @ 6/12	SEE ARCH	No. 6 DRYWALL SCREWS (1 1/4") @ 8/12 OR 5d D COOLER NAILS @ 7/7	HDU4-SDS2.5	5/8" ROD W/ HIT-HY200 ADH. (4" EMBED) @ 24" OC	(2) 1 1/2 x 5 1/2 LSL	5/8" TITEN HD ANCHOR @ 36" OC
SW2	BLOCKED	APA RATED 15/32"	10d (1 1/2" PEN MIN) @ 4/12	SEE ARCH	No. 6 DRYWALL SCREWS (1 1/4") @ 8/12 OR 5d D COOLER NAILS @ 7/7	(2) HDU4-SDS2.5	(2) 5/8" ROD W/ HIT-HY200 ADH. (4" EMBED) @ 24" OC	(3) 1 1/2 x 5 1/2 LSL	5/8" TITEN HD ANCHOR @ 12" OC
SW3	UNBLOCKED	APA RATED 15/32"	10d (1 1/2" PEN MIN) @ 4/12	APA RATED 15/32"	10d (1 1/2" PEN MIN) @ 4/12	HDU1-SDS2.5	(2) 1" ROD W/ HIT-HY200 ADH. (4" EMBED) @ 24" OC	(2)-(4) 1 1/2 x 5 1/2 LSL	5/8" TITEN HD ANCHOR @ 8" OC

NOTES:
1. SEE PLAN FOR STUD SIZE & SPACING. 24" OC MAX UNO.
2. REFERENCE IRC 2012 TABLES R602.10.5 & R602.10.4.4 OR WI-SPS 321.25 FOR ALL CS-BRACE METHODS.
3. REFERENCE IRC 2012 TABLE R602.10.4 & FIGURES R602.10.6.2, R602.10.6.3, R602.10.8.2 OR WI-SPS 321.25 FOR ALL PERSCRIPITIVE WALL BRACING METHODS.
4. REFERENCE ANSIA/AFPA S007FWP TABLE 4.3 A, B, C or IBC TABLES 6.4 & 2303.7 FOR ALL END POSTED SHEAR WALLS (SW). SEE TYPICAL SHEARWALL DETAIL.
5. WHEN SHEAR WALL IS ADJACENT TO WOOD COLUMN, USE LARGER COLUMN OR END POST. WHEN ADJACENT TO STEEL COLUMN ADD END POST INSIDE OF STEEL COLUMN, UNO.

FOOTING SCHEDULE						
MARK	DIMENSIONS			REINFORCING	REMARKS	
	WIDTH	LENGTH	DEPTH			
F3	3'-0"	3'-0"	3'-0"	(3)-#5 EW, BOT		
F4	4'-0"	4'-0"	1'-0"	(4)-#5 EW, BOT		
F5	5'-0"	5'-0"	1'-0"	(5)-#5 EW, BOT		
F6	6'-0"	6'-0"	2'-0"	(7)-#6 EW, TOP & BOT		
F10	10'-0"	10'-0"	2'-0"	(12)-#6 EW, TOP & BOT		
F20	6'-0"	12'-0"	2'-0"	(15)-#6 SHORT WAY, TOP & BOT (8)-#6 LONG WAY, TOP & BOT		

PIER SCHEDULE						
MARK	DIMENSIONS			REINFORCING		REMARKS
	DIAMETER	WIDTH	DEPTH	VERTICAL	TIES	
P1	1'-4"	1'-4"	1'-4"	(8)-#5	#3 @ 1'-0" OC	
P2	1'-4"	1'-4"	1'-8"	(8)-#5	#3 @ 1'-0" OC	

DECK/SLAB SCHEDULE										
MARK	TOTAL DEPTH	DECK/SLAB				TOPPING				REMARKS
		TYPE	DEPTH	GA	FINISH	DEPTH	TYPE			
FLOOR 1	4"	NWC - SLAB ON GRADE	4"	-	-	-	-	-	-	4x4-W2.9W2.9 WWF
ROOF 1	5/8"	PLYWOOD/OSB SHEATHING	5/8"	-	-	-	-	-	-	

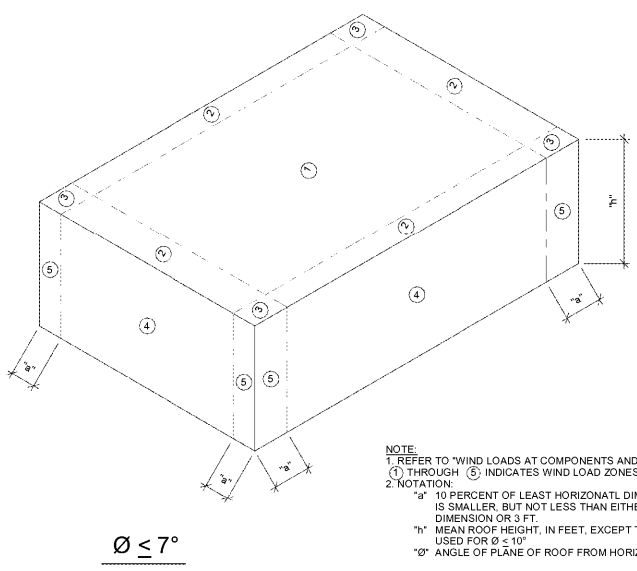
WALL STUD SCHEDULE							
TYPE	EXTERIOR WOOD BEARING WALL			INTERIOR WOOD BEARING WALL			
	SIZE	SPACING	GRADE	SIZE	SPACING	GRADE	
W1	1 1/2" x 5 1/2"	12" OC	LSL	-	-	-	
W2	(2) 1 1/2" x 5 1/2"	12" OC	LSL	-	-	-	

WOOD HEADER SCHEDULE					
MARK	SIZE	GRADE	JAMB STUDS		REMARKS
			KING STUDS		
H1	(3) 1 1/2" x 9 1/4"	LVL	(1) 1 1/2" x 5 1/2" LSL	(4) 1 1/2" x 5 1/2" LSL	

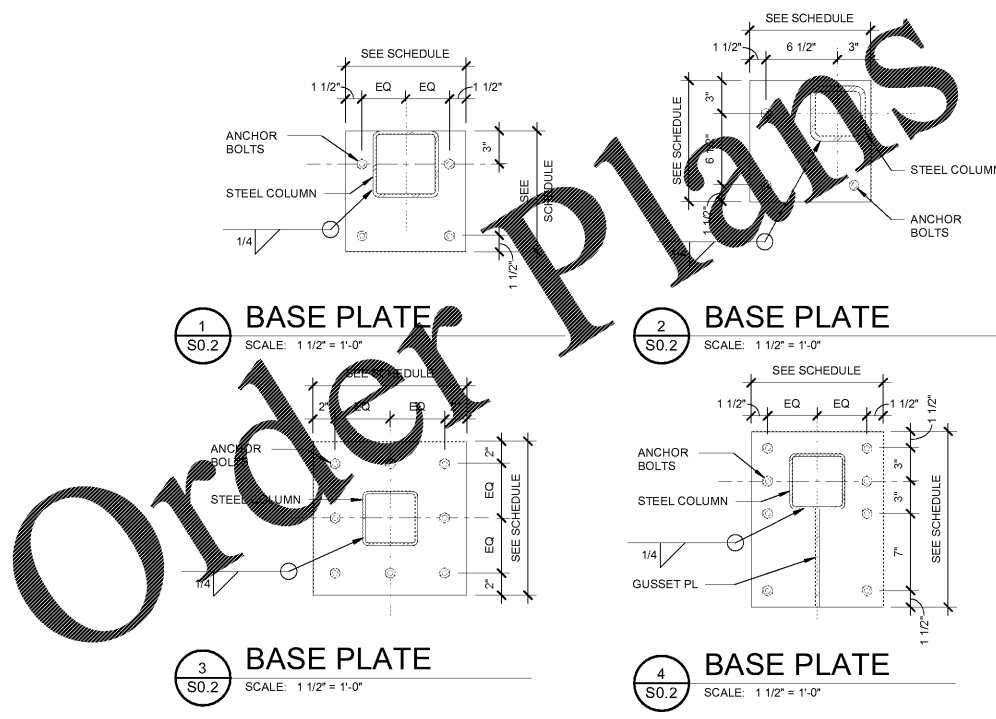
ROOF SURFACE PRESSURE (PSF)			
AREA (SF)	10	50	100
NEGATIVE ZONE 1	-50.6	-47.6	-46.3
NEGATIVE ZONE 2	-84.8	-63.9	-54.8
NEGATIVE ZONE 3	-84.8	-63.9	-54.8
POSITIVE ZONE 1	20.6	17.6	16.3
POSITIVE ZONES 2 & 3	46.3	41.5	39.5
OVERHANG ZONE 1 & 2	-72.8	-69.8	-68.6
OVERHANG ZONE 3	-72.8	-69.8	-68.6

PARAPET SURFACE PRESSURE (PSF)			
AREA (SF)	10	50	500
CASE A: INTERIOR ZONE	121.8	78.1	78.1
CASE A: CORNER ZONE	121.8	78.1	78.1
CASE B: INTERIOR ZONE	-85.3	-60.9	-60.9
CASE B: CORNER ZONE	-97.5	-60.9	-60.9

WALL SURFACE PRESSURE (PSF)			
AREA (SF)	10	50	500
NEGATIVE ZONE 4	-50.1	-45.4	-38.6
NEGATIVE ZONE 5	-61.7	-52.2	-38.6
POSITIVE ZONE 4 & 5	46.3	41.5	34.7



NOTE:
1. REFER TO "WIND LOADS AT COMPONENTS AND CLADDING" FOR DEFINITIONS.
(1) THROUGH (5) INDICATES WIND LOAD ZONES.
2. NOTATION:
"n" 10 PERCENT OF LEAST HORIZONTAL DIMENSION OR 0.4h, WHICHEVER IS SMALLER, BUT NOT LESS THAN EITHER 4' OF LEAST HORIZONTAL DIMENSION OR 3 FT.
"m" MEAN ROOF HEIGHT, IN FEET, EXCEPT THAT EAVE HEIGHT SHALL BE USED FOR $\theta \leq 10^\circ$.
"0" ANGLE OF PLANE OF ROOF FROM HORIZONTAL, IN DEGREES.

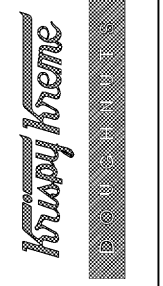


Order Plans

GEORGE SARFATY AIA
100 West Street, Suite 415, Boston, Illinois 60601
www.georgesarfaty.com
Copyright © 2018

CORE engineering
Client-focused | Creative
Collaborative | Communicative
12308 N. Corporate Pkwy, Suite 300
Mequon, WI 53092 | 262.236.9372
CAE Project #: 18040

KRISPY KREME DOUGHNUTS
1730 EAST 9 MILE ROAD
PENSACOLA, FL 32514



SEAL:
DATE: 08/01/18
PROJECT NO.: 18-004
CHECKED BY: Checker
DRAWN BY: Author
SHEET TITLE: SCHEDULES
SHEET NO.:

S0.2