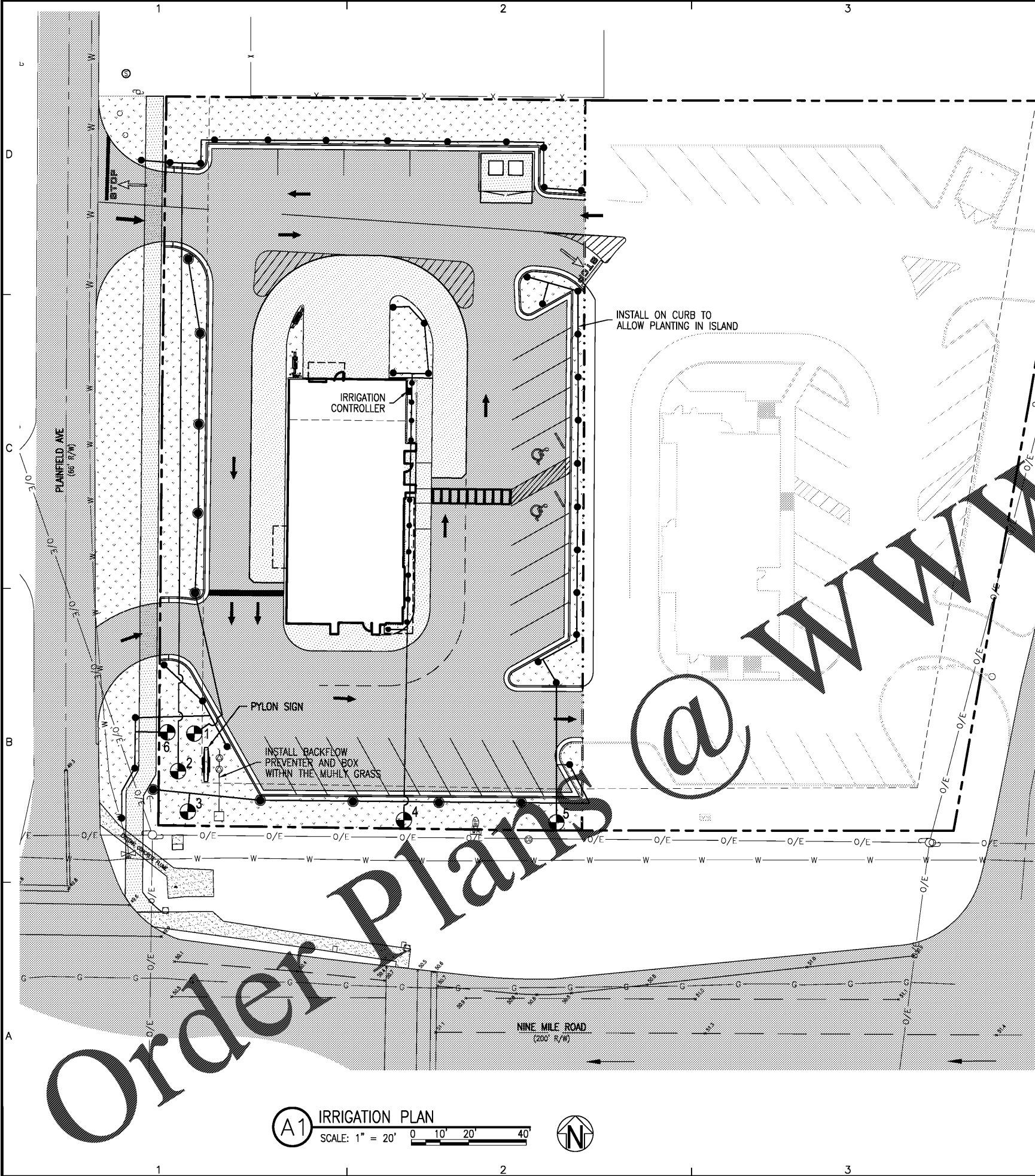
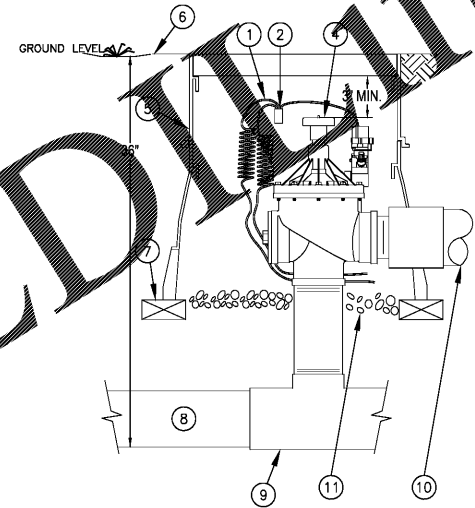


K:\1174 Delaney Projects\117401.01 Nine Mile Road\DWG\1-100.dwg, Aug 02, 2018 - 3:01:42PM, toverton

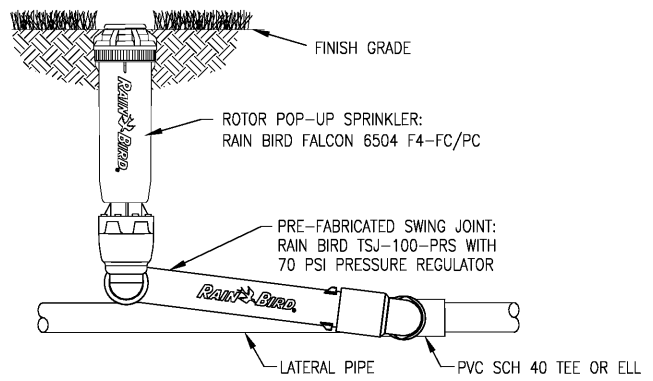


ZONE NO.	GPM WATER DEMAND	HEADS
1	24	5
2	22	12
3	27	6
4	16	15
5	28	13
6	12	6

IRRIGATION SCHEDULE					
QUANTITY	SYMBOL	MNFR	DESCRIPTION	MODEL NO.	COMMENTS
151	●	RAINBIRD	POP-UP TURF HEAD	6504	6 GPM @ 60 PSI
50	●	RAINBIRD	POP-UP SPRAY HEAD	6" 570 R 13	INSTALL W/ FUNNY PIPE
18	⊙	RAINBIRD	ELEC. SOLENOID VALVE	100-PEB	INSTALL IN AMETEK BOX W/DC LATCHING SOLENOID
4	⊓		ISOLATION GATE VALVE	SAME SIZE AS PIPE	BRONZE, IN AMETEK BOX
			SDR21 - PVC LATERAL	SCH. 40 SLEEVE FOR ROAD AND WALL	
	-----		2" MAIN		
1		RAINBIRD	CONTROLLER	ESP FOR 6 ZONES	
		RAINBIRD	SWING JOINT		ROTOR ONLY
	⊕	WATTS	BACKFLOW PREVENTER	REDUCED PRESSURE	IN FIBERGLASS BOX
		PAIGE	CONTROLLER	UF 44	

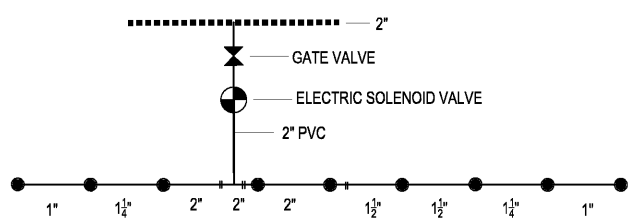


1 ELECTRIC REMOTE-CONTROL VALVE

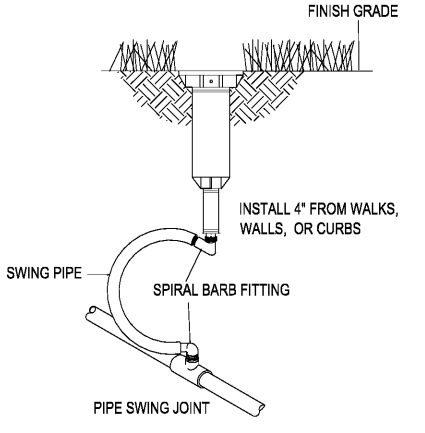


4 ROTARY POP-UP SPRINKLER FALCON 604 NOT TO SCALE

NOTE: PROVIDE PIPE SIZING TO ACCOMMODATE 5 FPS VELOCITY MAXIMUM.



2 PIPE SIZING DETAIL NOT TO SCALE



3 POP-UP SPRAY HEADS NOT TO SCALE

A1 IRRIGATION PLAN SCALE: 1" = 20' 0 10' 20' 40'

BASKERVILLE-DONOVAN, INC.
Innovative Infrastructure Solutions
449 W. MAIN ST., PENSACOLA, FL 32502 (850) 336-9861
ENGINEERING BUSINESS: EB-0000340

FL Reg. Landscape Architect
DMD K. HEMPHILL
FL Reg. #A0000502

KRISPY KREME
1730 E. NINE MILE ROAD

NO.	DATE	APPR.	REVISION/ACTION TAKEN

PROJECT NO: 117401.01
DESIGNED BY: DKH
DRAWN BY: CAD
CHK'D BY:
PROJ. MGR: DKH
DATE: JULY 2018
NOT RELEASED FOR CONSTRUCTION BY: DATE: / /

IRRIGATION PLAN

L-101