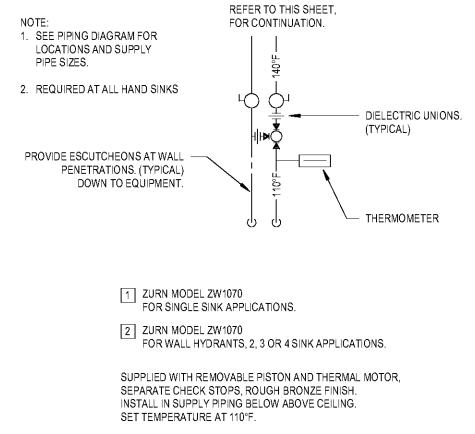
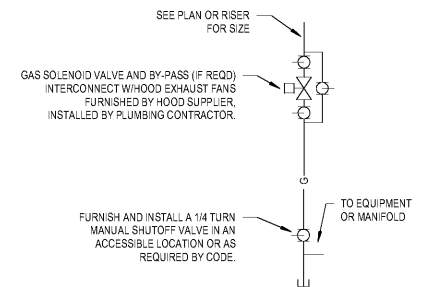


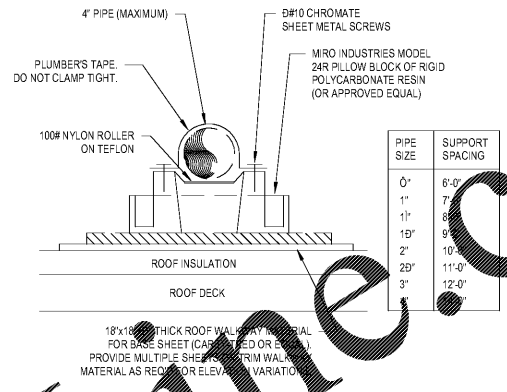
7/27/2018 1:22:11 PM
 C:\2018\201837513\MOES\Phoenix City (Forms)\04_ConestDessRevit (2017)\MEP1 - MEP Model



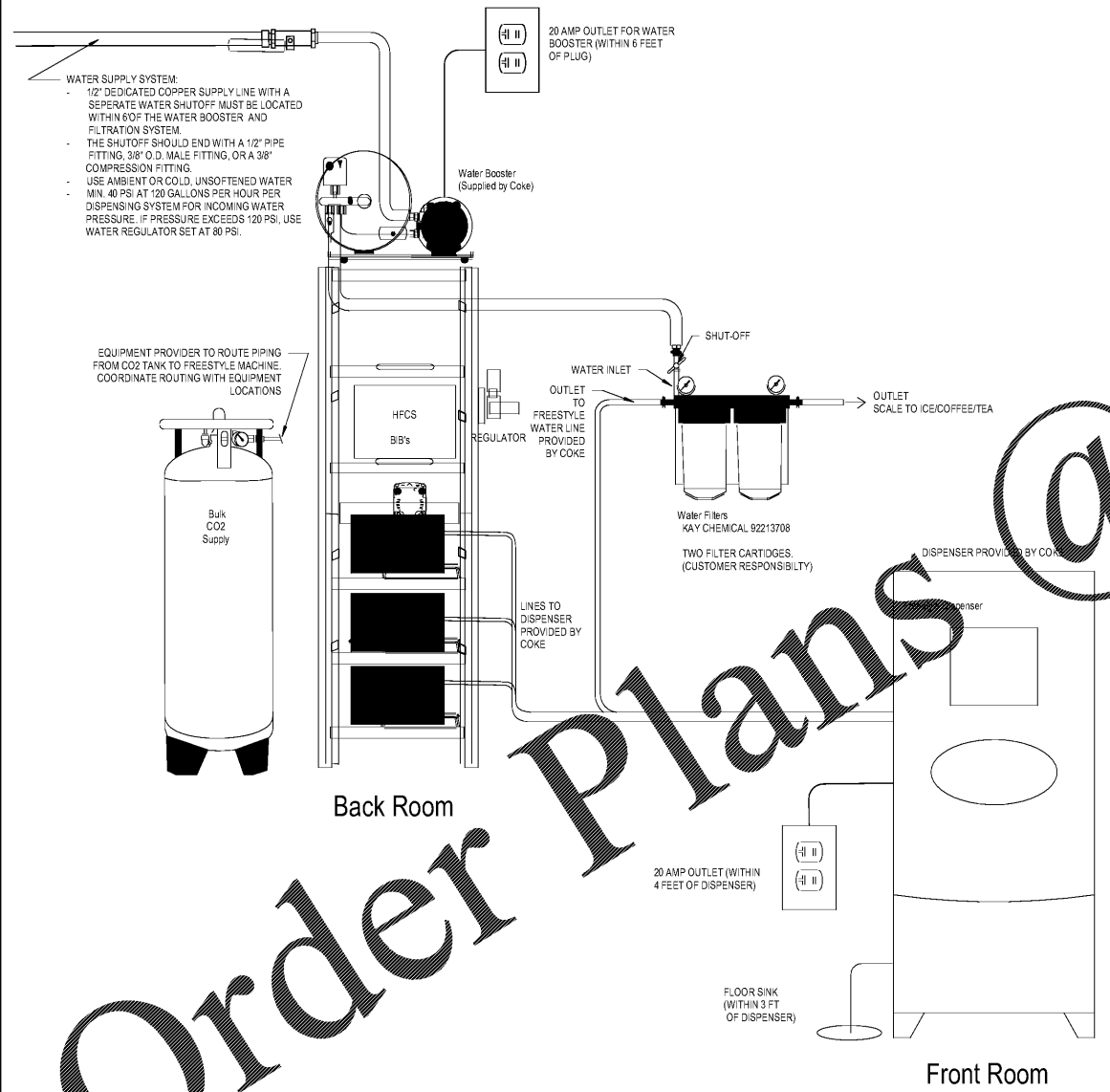
9 MIXING VALVE PIPING SCHEMATIC
 N.T.S.



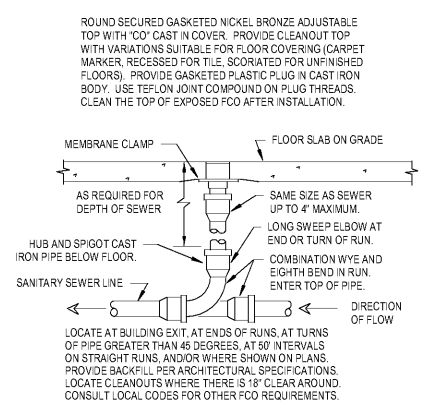
10 AUTOMATIC GAS SHUTOFF VALVE
 N.T.S.



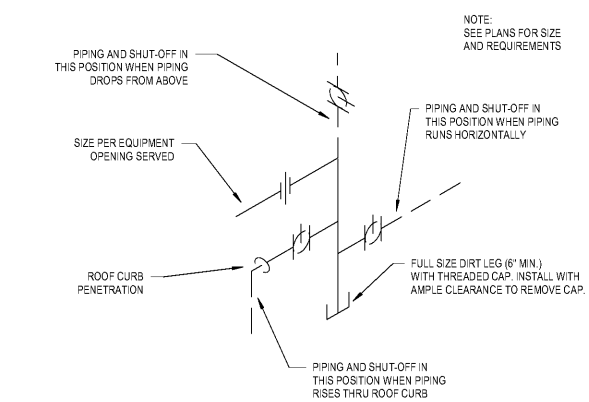
7 ROOFTOP PIPING SUPPORT DETAIL
 N.T.S.



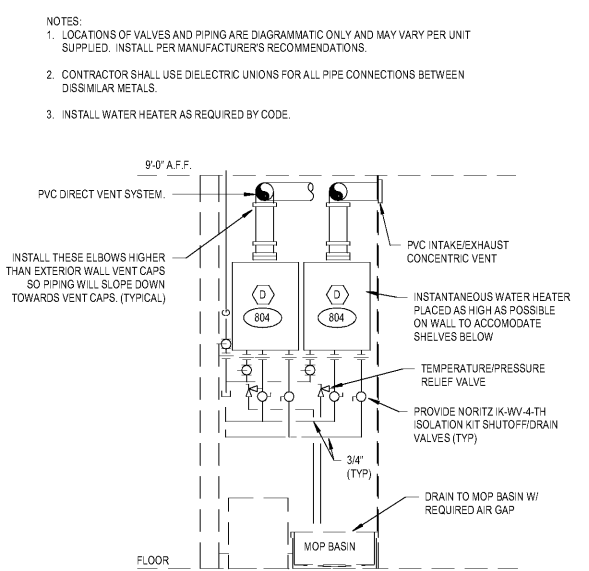
1 FREESTYLE INSTALLATION REQUIREMENTS
 N.T.S.



2 FLOOR CLEANOUT
 N.T.S.



7 DIRT LEG DETAIL
 N.T.S.



4 WATER HEATER PIPING SCHEMATIC
 N.T.S.

REV. NO.	DATE	ISSUED FOR PERMIT	DESCRIPTION
	07/27/18		

DRAFT

MOES SOUTHWEST GRILL
 3732 US HWY 280
 PHOENIX CITY, AL 36867

PLUMBING DETAILS

DATE:	
BRAND REVIEW	07/27/2018
PERMIT	07/27/2018
BID	-/-/---
CONSTRUCTION	-/-/---
RECORDED	-/-/---
PROJECT MANAGER	DESIGNER
JB	DTI

JOB NO.
 2018375.13

P-510

Order Plans @

WWW.LDILINE.COM