

KEY NOTES:

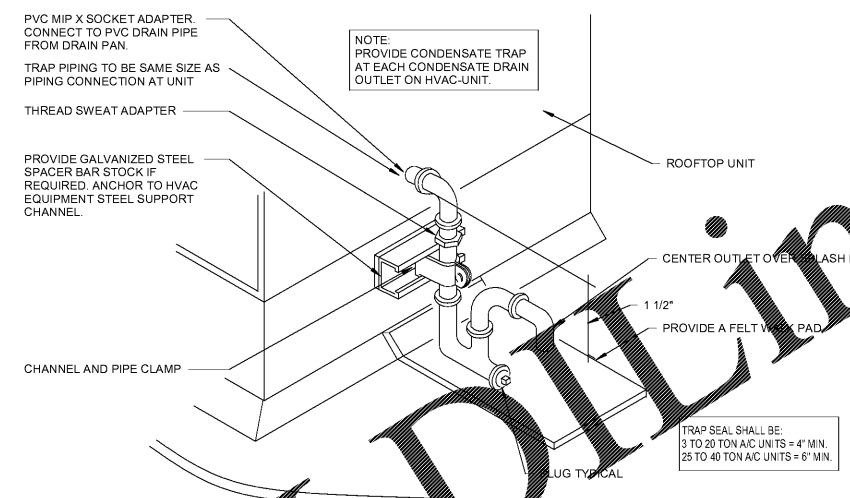
1. ROOFTOP UNIT PLACED ON STRUCTURAL DUNNAGE FRAME.
2. STRUCTURAL DUNNAGE FRAME - STRUCTURAL STEEL. SEE STRUCTURAL SHEETS FOR ADDITIONAL INFORMATION.
3. INTERNAL INSULATION ON DUCTWORK WITHIN TENANT SPACE. DUCT SIZES INDICATED ON PLAN ARE INTERIOR DIMENSIONS AND DO NOT INCLUDE LINING - TYPICAL.
4. REFER TO STRUCTURAL DRAWINGS FOR EXISTING ROOF JOIST LOCATIONS AND ROOF FRAMING AROUND PENETRATIONS.
5. PVC CONDENSATE DRAIN WITH CLEAN OUT AND 4" DEEP SEAL TRAP. DISCHARGE TO SPLASH PAD ON ROOF WITH PROPER AIR GAP.
6. GAS CONNECTION WITH GAS COCK, UNION AND DIRT LEG. REFER TO SHEET P-410 FOR GAS PIPE SIZES.
7. FLEXIBLE CONNECTION - TYPICAL.
8. EXTERNALLY INSULATE DUCT WITH WATERPROOF MEMBRANE DOWN THROUGH ROOF. FLASHING AS REQUIRED FOR DUCT PENETRATIONS - TYPICAL.
9. FLASHING AS REQUIRED FOR DUCT PENETRATIONS - TYPICAL.
10. FASTEN DUCT TO ROOFTOP UNIT PER MANUFACTURER'S RECOMMENDATIONS.
11. SEAL TO ROOFTOP UNIT.
12. EXTERNAL INSULATION.
13. DUCT.
14. ENSURE 15' OF ACCoustically LINED DUCTWORK DOWNSTREAM OF RTU DISCHARGE.
15. ROOFTOP UNIT.

1 ROOFTOP UNIT DUNNAGE MOUNTING DETAIL
 N.T.S.

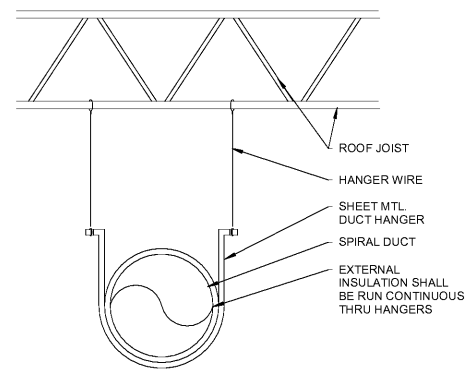
THERMAL INSULATION
 PROVIDE EXTERNAL THERMAL INSULATION WITH AN INTEGRAL VAPOR BARRIER FACING OF SUFFICIENT THICKNESS TO MEET LOCAL ENERGY CODE REQUIREMENTS. PROVIDE INSULATION ON EXHAUST AND OUTSIDE AIR DUCTS, AND ON CONCEALED PORTIONS OF SUPPLY AND RETURN AIR DUCTS. DO NOT INSULATE EXPOSED DUCTWORK AND PORTIONS OF DUCTWORK THAT ARE INTERNALLY LINED. THERMAL INSULATION TO COMPLY WITH AN NFPA FLAME SPREAD OF 25 OR LESS, AND SMOKE DEVELOPED NO GREATER THAN 50.

1. ALL NEW SUPPLY, RETURN AND OUTSIDE AIR RECTANGULAR/SQUARE DUCTWORK SHALL BE INSULATED WITH 1" THICK, 2 PCF DUCT LINER. DUCT LINER SHALL BE FASTENED TO INSIDE OF DUCTWORK AS PER MANUFACTURER'S DIRECTIONS AND S.M.A.C.N.A. "DUCT LINER APPLICATION STANDARD". ALL NEW SUPPLY, RETURN AND OUTSIDE AIR ROUND/OVAL DUCTWORK, WHICH ARE NOT LINED, SHALL BE INSULATED WITH 1-1/2" THICK FLEXIBLE INSULATION, 1 PCF DENSITY FOIL REINFORCED KRAFT FACING. DUCT WRAP SHALL BE FASTENED TO DUCTWORK AS PER MANUFACTURER'S DIRECTIONS. THE ROUND BRANCH DUCTWORK SHALL BE INSULATED WITH 1" THICK FIBERGLASS SLEEVE WITH FOIL JACKET AND ALL JOINTS AND TERMINATIONS SEALED WITH FOIL OR DUCT TAPE. ROUND/OVAL SUPPLY AND RETURN DUCTWORK EXPOSED TO VIEW AND LOCATED IN THE CONDITIONED SPACE SHALL NOT BE INSULATED. EXTERIOR DUCTWORK TO BE 1-1/2" LINED AND WEATHERPROOFED. DUCTS TO BE LINED.
 - A. ALL RECTANGULAR CONCEALED AND EXPOSED SUPPLY DUCTWORK.
 - B. ALL RETURN DUCT WORK FROM GRILLES TO ROOFTOP UNITS.
 - C. ALL EXHAUST DUCT RISERS TO ROOF FANS AND FOR A DISTANCE OF 5'-0" FROM VERTICAL DUCT CONNECTION.
 - D. ANY OTHER DUCTWORK SPECIFICALLY NOTED ON THE CONTRACT DRAWINGS.

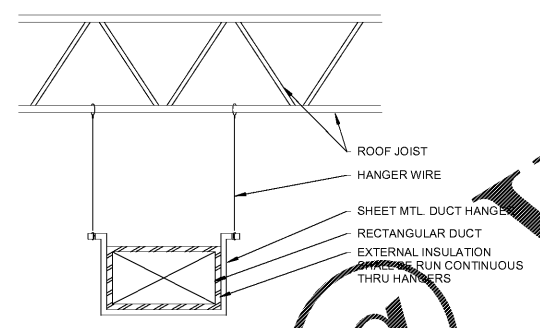
WEATHER/WATERPROOF SELF-ADHERING PROTECTIVE MEMBRANE
 PROVIDE MFM FLEX-CLAD400 - EXTERNAL, 40 MIL THICK, PRE-FABRICATE, SELF-ADHERING, SHEET-TYPE PROTECTIVE MEMBRANE, MULTI-LY, CROSS LAMINATED POLYETHYLENE WITH PROTECTIVE EMBOSSED ALUMINUM SURFACE, WHITE EXTERIOR COLOR, UV-RESISTANT, TEAR-RESISTANT, 25/50 FLAME/SMOKE RATING, CAPABLE OF WITHSTANDING 100 MPH WIND-DRIVEN RAIN (DADE COUNTY TAS-100-95 TESTING). INSTALL IN ACCORDANCE WITH MANUFACTURER'S INSTALLATION INSTRUCTIONS AND LOCAL ENERGY CODE COMPLIANCE.



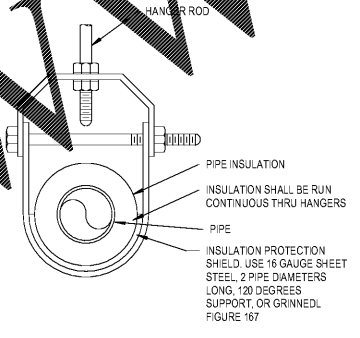
3 CONDENSATE ROUTING DETAIL
 N.T.S.



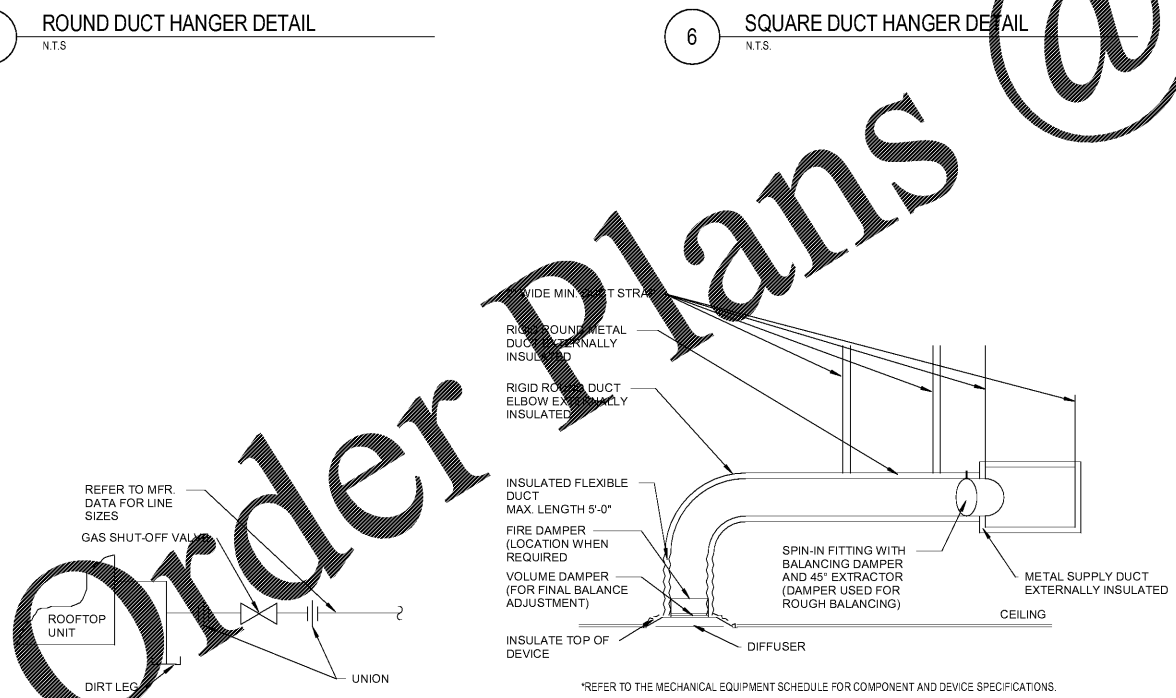
5 ROUND DUCT HANGER DETAIL
 N.T.S.



6 SQUARE DUCT HANGER DETAIL
 N.T.S.

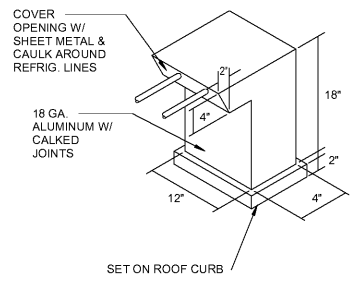


7 PIPE HANGER DETAIL
 N.T.S.

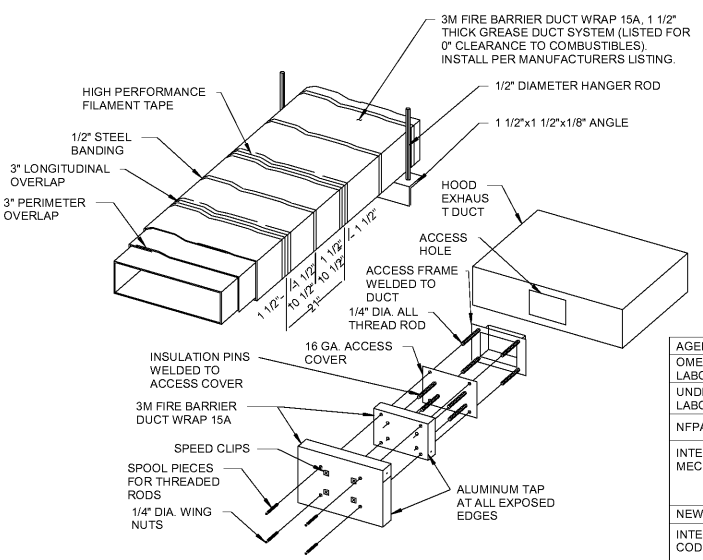


9 GAS SHUT-OFF VALVE DETAIL
 N.T.S.

10 HVAC DUCTWORK DETAIL
 N.T.S.



11 REFRIGERATION CURB DETAIL
 N.T.S.



12 HOOD EXHAUST WRAP DETAIL
 N.T.S.

3M FIRE PROTECTION PRODUCTS
 3M CENTER, BLDG. 225-45-08
 ST. PAUL, MN. 55144
 (800) 328-1687

3M INFORMATION PERFORMANCE
 3M BARRIER DUCT WRAP 20A HAS BEEN TESTED IN ACCORDANCE WITH THE FOLLOWING:

- | | |
|---------------------|--------------------------|
| ASTM C 411 | ASTM E 119 |
| ASTM C 518 | ASTM E 136 |
| ASTM E 84 | ASTM E 814 |
| ICBO AC101 INTERNAL | OMEGA POINT LABORATORIES |
| NFPA 96, IMC, UMC | |

ALTERNATIVE MANUFACTURER/PRODUCT:
 THERMAL CERAMICS FIREMASTER FASTWRAP
 THERMAL CERAMICS AMERICAS
 2102 OLD SAVANNAH RD.
 AUGUSTA, GEORGIA 30906
 T: 706 796 4300
 F: 706 796 4328
 WEB SITE: WWW.THERMALCERAMICS.COM

AGENCY	REF. STANDARD FILE NO.
OMEGA POINT LABORATORIES, INC.	LISTING #11660-3, FS 587-F, GD 544F
UNDERWRITERS LABORATORIES	GREASE DUCT ENCLOSURES (YYET): R14229 HNKT G-14
NFPA	COMPLIES WITH NFPA 96, 2001 EDITION
INTERNATIONAL MECHANICAL CODE	SECTION 506 COMMERCIAL KITCHEN GREASE DUCTS & EXHAUST EQUIPMENT, SECTION 507 COMMERCIAL KITCHEN HOODS, 2000 EDITION
NEW YORK MEA	412-02-M, 413-02-M
INTERNATIONAL CODE COUNCIL	SBCCI LEGACY REPORT NO. 9424E, BOCA LEGACY REPORT NO. 22.25

REV. NO.	DATE	ISSUED FOR PERMIT	DESCRIPTION
	07/27/18		

DRAFT

MOES SOUTHWEST GRILL
 3732 US HWY 280
 PHOENIX CITY, AL 36867

MECHANICAL DETAILS

DATE:	
BRAND REVIEW	07/27/2018
PERMIT	07/27/2018
BID	-/-/-
CONSTRUCTION	-/-/-
RECORDED	-/-/-

PROJECT MANAGER	DESIGNER
JB	DTI

JOB NO.
2018375.13

M-510

Order Plans @