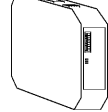


**ELECTRICAL PACKAGE - Job#3480825**

NL	TAG	PACKAGE #	LOCATION	SWITCHES		OPTION	FANS CONTROLLED						
				LOCATION	QUANTITY		TYPE	7	10P	VFLT	FLA		
1		DCV-1111	Utility Cabinet Right	Utility Cabinet Right	Hood # 1	1 Light	1 Fan	Smart Controls DCV	Exhaust	3	1,500	200	4.4
									Supply	3	1,000	200	3.1

Field Connection to Router or Ethernet Switch OR Factory Wired Connection to Cellular MT

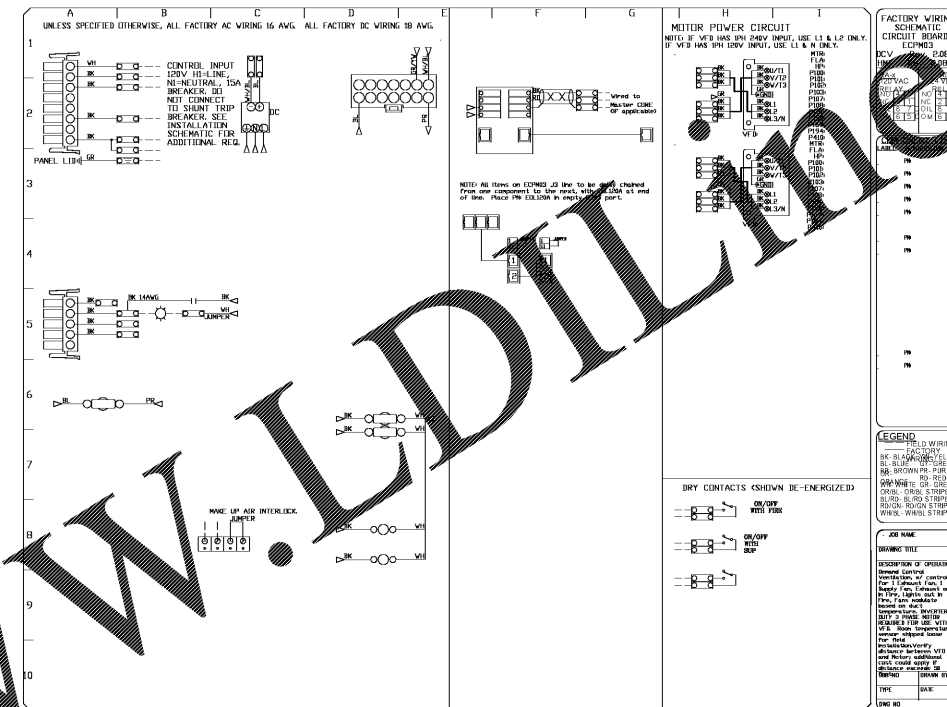
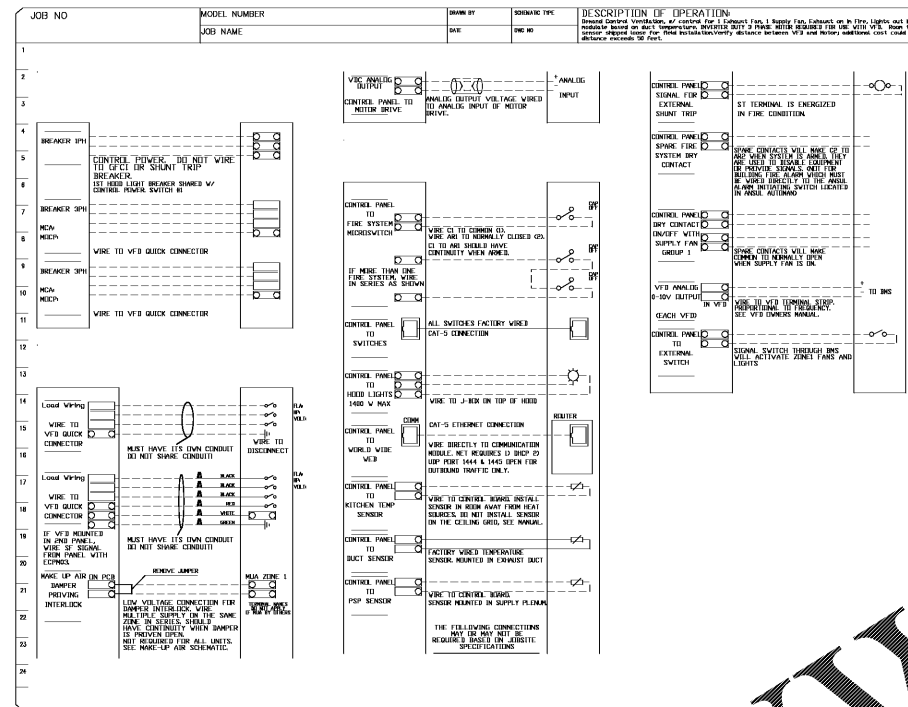


**CASink Monitor and Control**

Hood control panel to support communications to cloud-based Building Management System.  
Hood Control Panel to allow cloud-based Building Management System to monitor real time parameters outlined as MONITOR in the points list.  
Hood Control Panel to allow cloud-based Building Management System to control parameters outlined as CONTROL in the points list.  
Hood control panel to allow remote changes to system settings such as VFD frequencies, LCD speeds, temperature set points, fan and wash schedules, etc.

**MONITORING AND CONTROL POINTS LIST**

DCV Packages	Function	SC Packages	Function
Room Temperature	MONITOR	Room Temperature(s)	MONITOR
Back Temperature(s)	MONITOR	Back Temperature(s)	MONITOR
MHA Discharge Temperature	MONITOR	MHA Discharge Temperature	MONITOR
Kitchen RTU Discharge Temperature	MONITOR	Kitchen RTU Discharge Temperature	MONITOR
Fan Speed	MONITOR	Controller Faults	MONITOR
Fan Apprags	MONITOR	Fan Faults	MONITOR
Fan Power	MONITOR	Fan Status	MONITOR
VFD Faults	MONITOR	PCU Faults	MONITOR
Controller Faults	MONITOR	PCU Filter Slag Percentages	MONITOR
Fan Faults	MONITOR	Fire Condition	MONITOR
Fan Status	MONITOR	CSM Fire System	MONITOR
PCU Faults	MONITOR	Building Pressures	MONITOR
PCU Filter Slag Percentages	MONITOR	Fans Buttons(s)	MONITOR & CONTROL
Fire Condition	MONITOR	Lights Buttons(s)	MONITOR & CONTROL
CSM Fire System	MONITOR	Wash Button	MONITOR & CONTROL
Building Pressures	MONITOR		
Press Time Button	MONITOR & CONTROL		
Fans Button	MONITOR & CONTROL		
Lights Button	MONITOR & CONTROL		
Wash Button	MONITOR & CONTROL		



**REVISIONS**

NO.	DESCRIPTION	DATE

**FACTORY WIRING SCHEMATIC**

**LEGEND**

**JOB NAME**

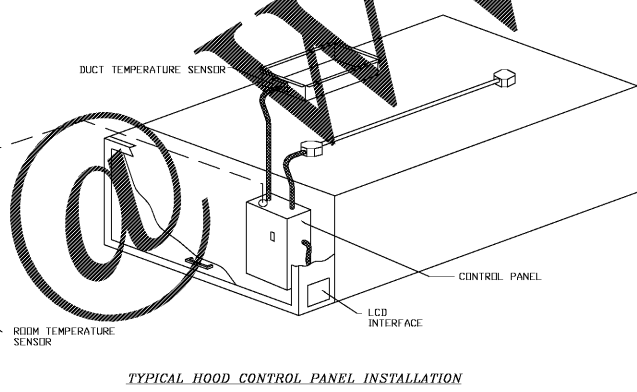
**DESCRIPTION OF OPERATION**

**DATE**

**ISSUED FOR PERMIT**

**DESCRIPTION**

- Demand Control Ventilation Hood Control Panel Specifications:**
- Controls shall be listed by ETL (UL 508A) and shall comply with demand ventilation system shutdown requirements outlined in IECC 403.2.8 (2015).
  - The control enclosure shall be NEMA 1 rated and listed for installation inside of the exhaust hood utility cabinet. The control enclosure may be constructed of stainless steel or painted steel.
  - Temperature probe(s) located in the exhaust duct riser(s) shall be constructed of stainless steel.
  - A digital controller shall be provided to activate the hood exhaust fans dynamically based on a fixed differential between the ambient and duct temperatures sensors. This function shall meet the requirements of IMC 5.7.1.1.
  - A digital controller shall provide adjustable hysteresis settings to prevent cycling of the fans after the cooking appliances have been turned off and/or the heat in the exhaust system is reduced.
  - A digital controller shall provide an adjustable minimum fan run-time setting to prevent fan cycling.
  - Variable Frequency Drives (VFDs) shall be provided for fans as required. The digital controller shall modulate the VFDs between a minimum setpoint and a maximum setpoint on demand. The duct temperature sensor input(s) to the digital controller shall be used to calculate the speed reference signal.
  - The VFD speed range of operation shall be from 0% to 100% for the system, with the actual minimum speed set as required to meet minimum ventilation requirements.
  - An internal algorithm to the digital controller shall modulate the fan VFD speed proportional to all exhaust fans that are located in the same fan group as the supply fan.
  - The system shall operate in PREP MODE during light cooking load or COOKING IN MODE when sufficient heat remains underneath the hood system for cooking operations have completed. Operation during either of these periods will enable the supply fans and provide an exhaust fan speed that is equal to the minimum ventilation requirement.
  - A digital controller shall disable the supply fan(s), activate the exhaust fan(s), activate the appliance shunt trip, and disable the electric gas valve automatically when fire condition is detected on a covered hood.
  - A digital controller shall allow for external BMS fan control via Dry Contact (external control shall not override fan operation logic as required by code).
  - An LCD interface shall be provided with the following features:
    - On/OFF push button
    - Interlock valve reset for electronic gas valves (no reset relay required)
    - VFD fault display with audible & visual alarm notification
    - Duct temperature sensor failure detection with audible & visual alarm notification
    - Supply fan duct temperature sensor detection with audible & visual alarm notification
    - Single low voltage Cat-5 RJ45 wiring connection
    - Energy savings indicator that utilizes measured kWh from the VFDs



- Sequence of Operations:**
- The hood control panel is capable of operating in one or more of the following states at any given time:
- **Automatic:** The system operates based on the differential between room temperature and the temperature at the hood cavity or exhaust duct collar. Fans activate at a configurable temperature differential threshold. Depending on the job configuration each fan zone can be configured as static or dynamic. These terms refer to whether a variable motor (such as EC Motors or VFD driven motors) modulate with temperature. If the panel is equipped with variable speed fans and the zone is defined as "dynamic", these will modulate within a user-defined range based on the temperature differential. Panels equipped with variable speed fans and a fan zone defined as "static", fans will run at a set speed calculated for the drive. Demand control ventilation systems are capable of modulating exhaust and make up air fan speeds per the requirements outlined in IECC 403.2.8.
  - **Manual:** The system operates based on human input from an HMI.
  - **Schedule:** A weekly schedule can be set to run fans for a specified period throughout the day. There are three occupied times per day to allow for the user to set up a time that is suitable to their needs. Any time that is within the defined occupied time, the system will run at modulation mode and follow the fan procedure algorithm based on temperature during this time. During unoccupied time, the system will have an extra offset to prevent unintended activation of the system during a time where the system is not being occupied.
  - **Other:** The system operates based on the input from an external source (DDC, BMS or hard-wired interlock)

**FOR REFERENCE ONLY**

**MOE'S SOUTHWEST GRILL**  
3732 US HWY 280  
PHENIX CITY, AL 36867

**MECHANICAL HOOD DRAWINGS**

DATE	DESCRIPTION

DATE	BRAND REVIEW	PERMIT	BID	CONSTRUCTION	RECORDED

PROJECT MANAGER	DESIGNER

JOB NO.  
**2018375.13**

**M-414**