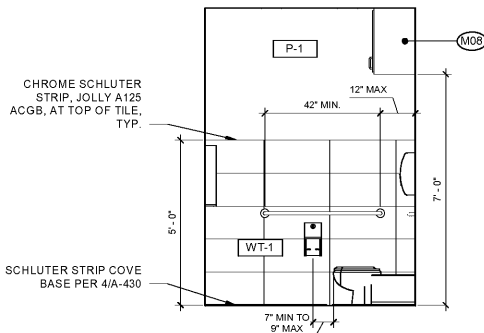
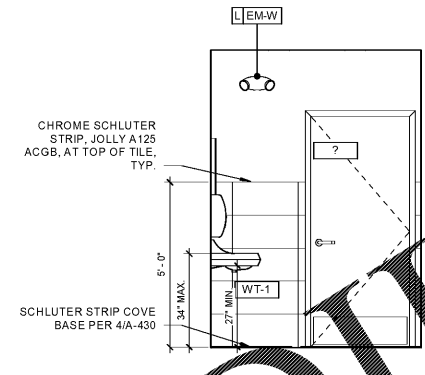


7/27/2018 9:46:29 AM
 C:\2018\201837501_Moes_Prototype\04_ConstrDocs\Revit (2017)\Arch1 - Arch Model

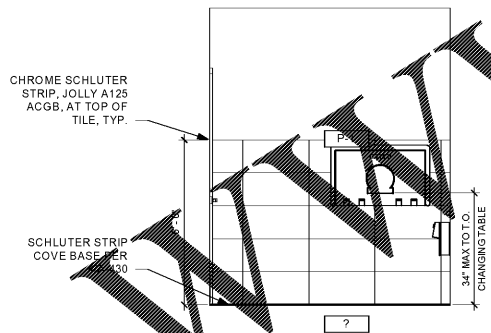
Order Plans @



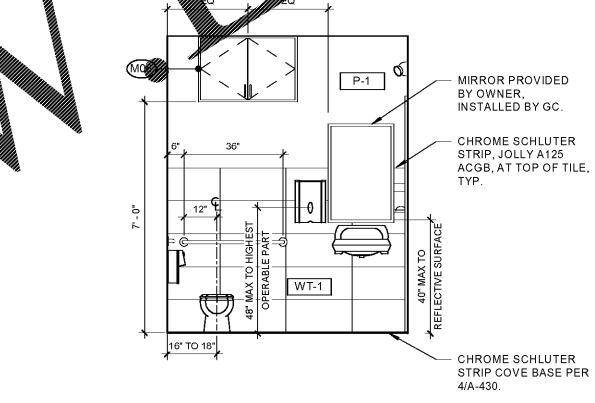
4 RR WATER CLOSET ELEVATION
 3/8" = 1'-0"



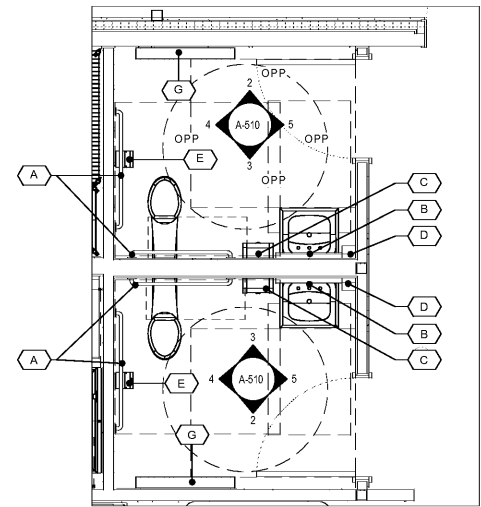
5 RR ENTRY / EXIT ELEVATION
 3/8" = 1'-0"



2 RR BABY CHANGING ELEVATION
 3/8" = 1'-0"



3 RR LAVATORY ELEVATION
 3/8" = 1'-0"



1 ENLARGED RESTROOM PLAN
 3/8" = 1'-0"

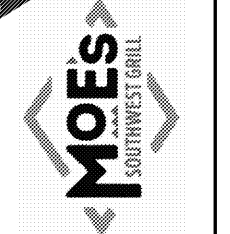
RESTROOM ACCESSORY SCHEDULE				
MAR.	DESCRIPTION	MANUFACTURER	MODEL NO.	MOUNTING HEIGHTS
A	GRAB BAR	BOBRICK (OR EQUAL)	B-6806	3'-0" AFF TO TOP OF GRIPPING SURFACE OR AS SPECIFIED PER LOCAL CODES
B	RESTROOM MIRROR	BOBRICK (OR EQUAL)	B-165-1836	3'-4" AFF TO BOTTOM OF REFLECTIVE SURFACE, ANGLED
C	PAPER TOWEL DISPENSER	TORK SELECT	309203A	4'-0" AFF TO DISPENSER CONTROLS
D	SOAP DISPENSER (BOH)	KAY CHEMICAL	BY VENDOR	34" - 48" AFF TO DISPENSER CONTROLS
E	TOILET PAPER DISPENSER	TORK SELECT	209305A	1'-6" TO DISPENSER CONTROLS
G	BABY CHANGING STATION	KOALA CORPORATION	KB 200-11 EARTH	4'-2 1/2" AFF TO TOP

GENERAL NOTES

- G.C. SHALL PROVIDE HANDICAP CODE COMPLIANT MEN'S & WOMEN'S DOOR SIGNAGE. SIGNS SHALL BE MOUNTED ON EXTERIOR SIDE (AS SHOWN ON INTERIOR ELEVATIONS) AND SHALL INCLUDE THE INTERNATIONAL SYMBOL OF ACCESSIBILITY.
- FLUSH AND FAUCETS CONTROLS SHALL BE OPERABLE W/ONE HAND AND SHALL NOT REQUIRE TIGHT GRASPING OR TWISTING OF WRIST. THE FORCE TO ACTIVATE THESE CONTROLS SHALL NOT EXCEED 5 LBS.
- FLUSH CONTROLS FOR TOILETS (AND URINALS WHEN APPLICABLE) SHALL BE MOUNTED ON THE WIDE SIDE OF THE TOILET NO HIGHER THAN 44" A.F.F.
- GRAB BARS SHALL NOT ROTATE WITHIN THEIR FITTINGS AND SHALL BE INSTALLED TO WITHSTAND A LOAD OF 250 LBS. OR GREATER.
- G.C. TO PROVIDE AND INSTALL 18" VERTICAL GRAB BAR IN BOTH RESTROOMS AS PER 2003 ANSI A117.1, SEC. 604.2.2.1.100.

ACCESSORY NOTES

- LANDLORD G.C. TO FURNISH AND INSTALL SCHEDULED TOILET ACCESSORIES IN RESTROOM.
- G.C. SHALL INSTALL TOILET ACCESSORIES FURNISHED BY OWNER PER ACCESSORIES SCHEDULE.
- PROVIDE HOD BARS FOR ALL WALL-HUNG ITEMS.
- ALL ACCESSORIES MUST BE ADA COMPLIANT.
- VERIFY MOUNTING HEIGHT OF TOILET TISSUE HOLDER PRIOR TO MOUNTING. MOUNTING HEIGHT MAY VARY DEPENDING ON UNIT FURNISHED.
 G.C. TO INSTALL TALL BABY CHANGING STATION AND RESTROOM WALL CABINET (FURNISHED BY OWNER).



REV. NO.	DATE	ISSUE FOR PERMIT	DESCRIPTION
	07/27/2018		

DRAFT

MOE'S SOUTHWEST GRILL
 3732 US HWY 280
 PHENIX CITY, AL 36867

RESTROOM ELEVATIONS

DATE:	
BRAND REVIEW	07/27/2018
PERMIT	07/27/2018
BID	--/--/----
CONSTRUCTION	--/--/----
RECORDED	--/--/----
PROJECT MANAGER	DESIGNER
JB	SC

JOB NO.
 2018375.13

A-510