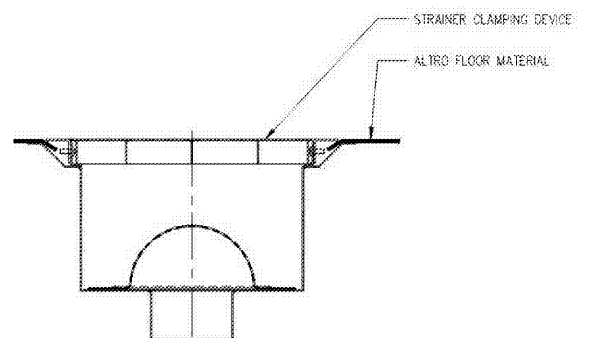
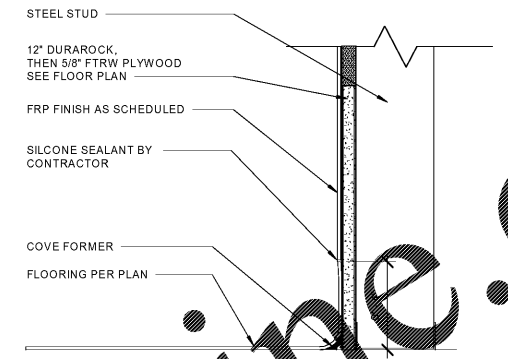


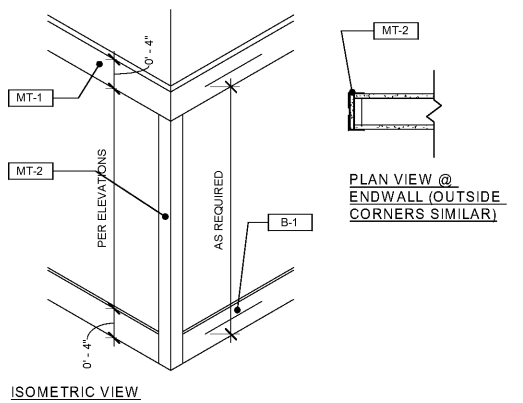
12 TRANSITION FF-1 TO FF-3 (TILE TO ALTRO)
1" = 1'-0"



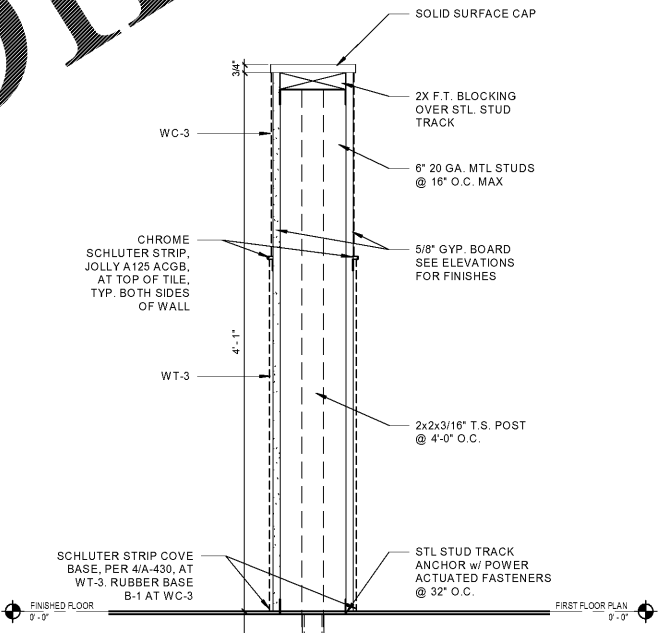
11 CLAMPING FLOOR SINK
1" = 1'-0"



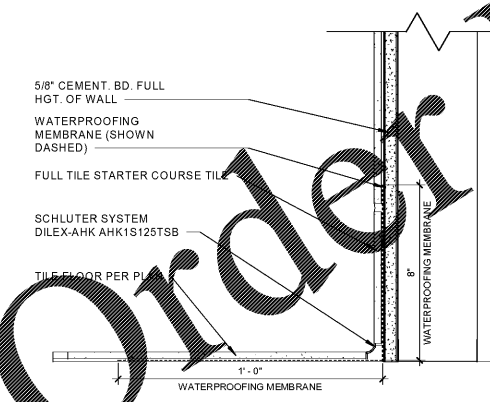
9 TYPICAL BASE DETAIL @ BOH - INTEGRAL
3" = 1'-0"



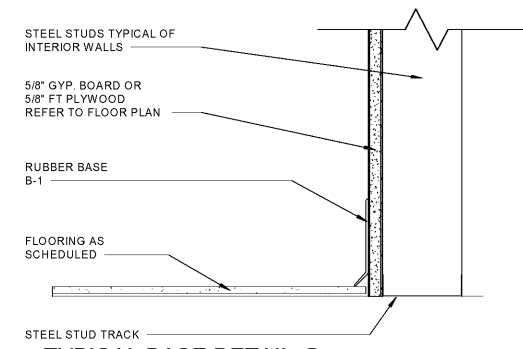
8 CORNER GUARD DETAIL
1" = 1'-0"



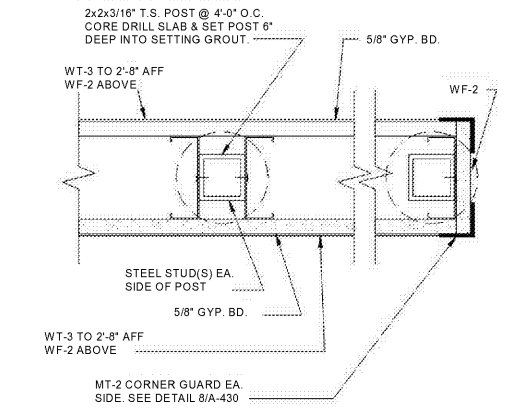
5 QUEUE WALL SECTION
1 1/2" = 1'-0"



4 TYPICAL BASE DETAIL @ RR
3" = 1'-0"



2 TYPICAL BASE DETAIL @ DINING
3" = 1'-0"



1 QUEUE WALL SUPPORT DETAIL
3" = 1'-0"

REV. NO.	DATE	ISSUE FOR PERMIT	DESCRIPTION
	07/27/18		

DRAFT

MOES SOUTHWEST GRILL
3732 US HWY 280
PHOENIX CITY, AL 36867

DETAILS

DATE:	
BRAND REVIEW	07/27/2018
PERMIT	07/27/2018
BID	--/--/----
CONSTRUCTION	--/--/----
RECORDED	--/--/----
PROJECT MANAGER	DESIGNER
JB	SC

JOB NO.
2018375.13

A-430