

7/20/2018 2:47:45 PM
 C:\2018\201837501_Moes_Prototype\4_ConstrDocs\Revit (2017)\Arch1 - Arch Model

REFLECTED CEILING PLAN KEY NOTES

- 5/8" GYP. BD. OVER USG DIRECT SUSPENSION SYSTEM OR EQUAL.
- SUSPENDED ACT CEILING TILE AND GRID AS DETAILED PER 2/A-150.
- EXTERIOR SIGNAGE UNDER SEPARATE PERMIT. SEE EXTERIOR ELEVATIONS.
- HOOD - SEE MECHANICAL DRAWINGS
- WALK-IN COOLER BELOW.
- CENTER PENDANT ON TABLE BELOW, 5'-6" A.F.F. (TYP.)
- KITCHEN EQUIPMENT SUPPLIER TO PROVIDE S/S TRIM AT COOLER.
- ALIGN ANGLE OF BULKHEAD W/ FIXTURE LINE UP BELOW.
- LIGHT FIXTURE BELOW INSIDE WALK-IN COOLER - PROVIDED WITH WALK-IN BULBS BY GC.
- CENTER LIGHTING WITHIN 2X2 CEILING PANELS WHERE OCCURS UNLESS NOTED OTHERWISE, TYPICAL.
- CENTER GRID WITHIN SPACE OR BETWEEN PANELS OR BULKHEAD AS SHOWN.
- GRID PROVIDE BLACK SUPPLY/RETURN DIFFUSERS IN BLACK FINISHING.
- EXISTING EXTERIOR LIGHTS TO REMAIN.
- INSTALL COMBUSTIBLE CEILING TILE IN KITCHEN. CODE REQUIRES MIN. 1/2" THICK WOOD TO BE NON COMBUSTIBLE MATERIALS. RECESSED CAN LIGHTS IN CL-1 TO BE BLACK (E-B). RECESSED CAN LIGHTS IN CL-3 TO BE WHITE (E).
- MOUNT PENDANT LIGHTS AT SALSA BAR AT 6'-0" AFF.
- CENTER WOOD BREAM, PENDANT LIGHT FIXTURE AND BOOTH TABLE BELOW ON COLUMN WRAP.

ELECTRICAL SYMBOLS LEGEND

RE: LIGHTING PLAN FOR SPECIFICATIONS

MARK	DESCRIPTION
A	PENDANT - SMALL KNOTTED ROPE - NATURAL ROPE
E	RECESSED CAN - 6in 750 LUMENS - WHITE
E-B	RECESSED CAN - 6in 750 LUMENS - BLACK
EM-W	EMERGENCY LIGHT w/ BATTERY PACK BACK-UP - WHITE
EX-W	EXIT SIGN w/ EMERGENCY LIGHT & BATTERY PACK BACK-UP - WHITE
F	TRACK MOUNTED LED FIXTURE, BLACK FINISH
F-TRK	TRACK - RAIL SURFACE MOUNTED - BLACK
G	PENDANT - CORD LIGHT - WHITE BULB
G-TRK	TRACK - RAIL SURFACE MOUNTED 144in - WHITE
H	PENDANT - SMALL METAL PERFORATED CYLINDER
H-1	PENDANT - PUNCHED TIN - 12" SHADE
I	RECESSED LED 2x2 LED TROFFER w/ FLAT DIFFUSER LENS
I-EM	RECESSED LED 2x2 LED TROFFER w/ FLAT DIFFUSER LENS AND EMERGENCY BATTERY BACKUP
K	1'x4' FLUORESCENT STRIP LIGHT FIXTURE
LL-1	EMERGENCY LIGHT W/ INTEGRAL 90 MINUTE BATTERY
SPK	SPEAKER (BY ELEC.) BLACK TO MATCH CEILING TILE
CEILING TAG	
XX-X	CEILING TYPE
X'-X'	HEIGHT
-X-X	FINISH
	AIR SUPPLY DIFFUSER
	RETURN AIR GRILLE
	EXHAUST FAN

NOTE: REFER TO MECHANICAL & ELECTRICAL DRAWINGS FOR SPECIFIC LIGHT & DIFFUSER INFORMATION.

REV. NO.	DATE	ISSUE FOR PERMIT	DESCRIPTION
	07/27/2018		

DRAFT

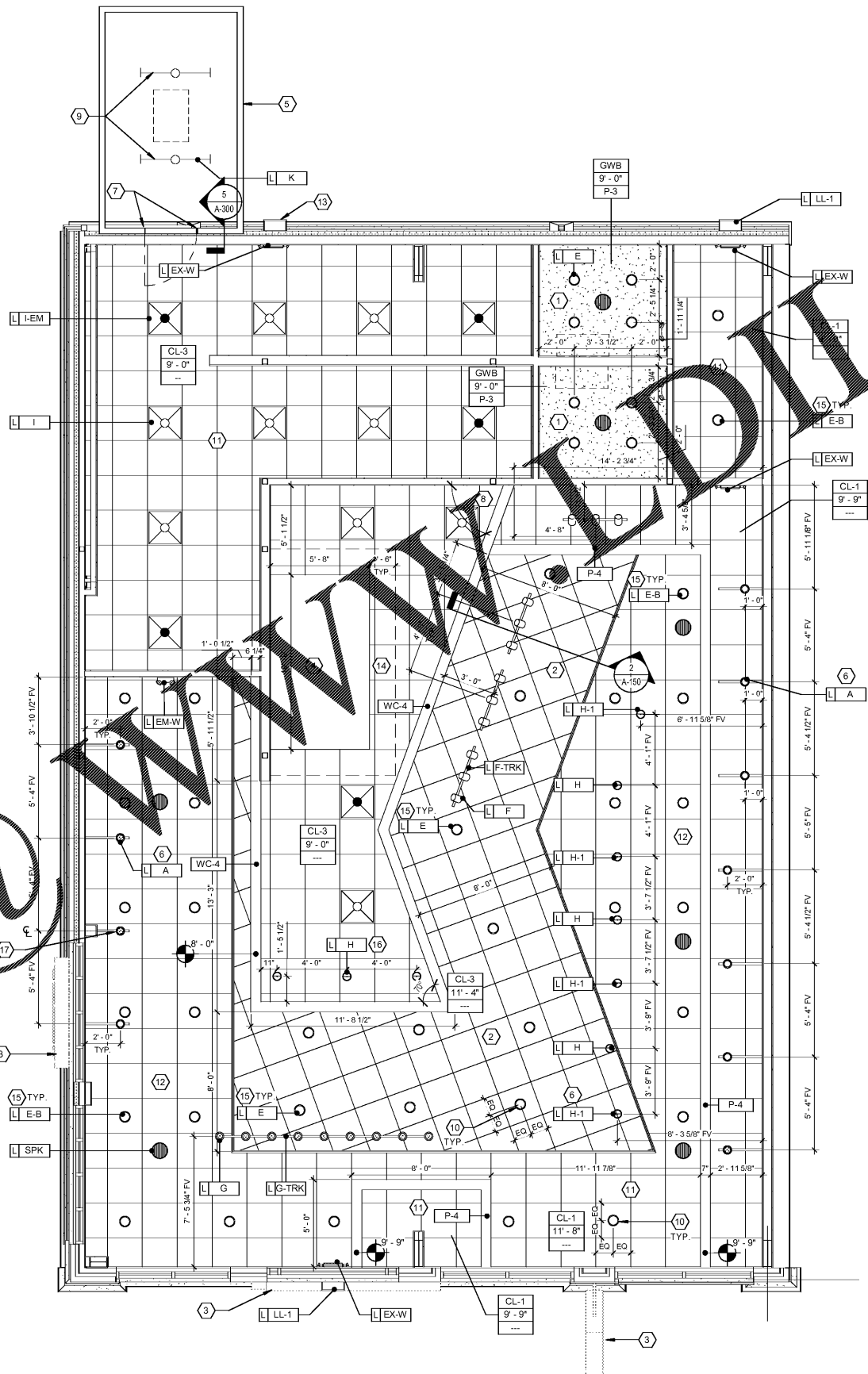
MOES SOUTHWEST GRILL
 3732 US HWY 280
 PHENIX CITY, AL 36867

REFLECTED CEILING PLAN

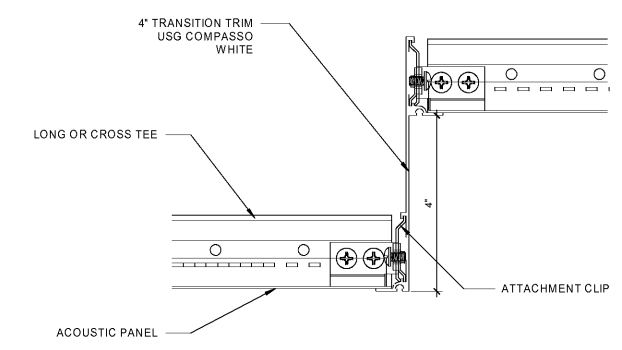
DATE:	
BRAND REVIEW	07/27/2018
PERMIT	07/27/2018
BID	--/--/----
CONSTRUCTION	--/--/----
RECORDED	--/--/----
PROJECT MANAGER	DESIGNER
JB	SC

JOB NO.
2018375.13

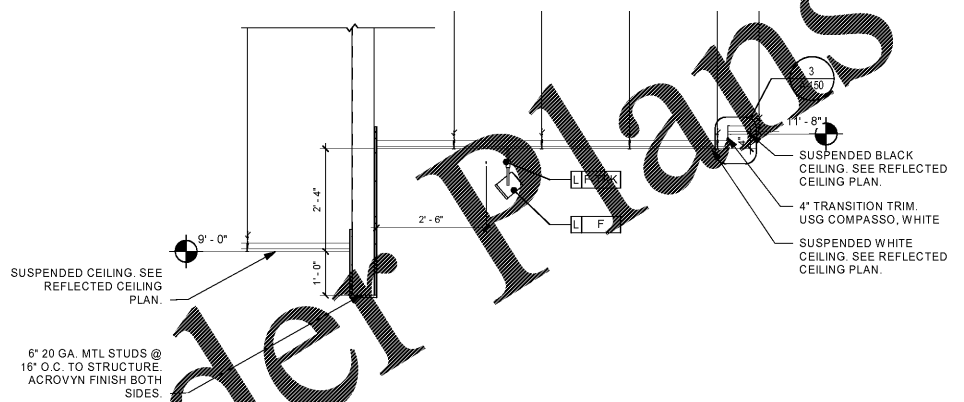
A-150



1 ARCHITECTURAL REFLECTED CEILING PLAN
 1/4" = 1'-0"



3 4\"/>



2 SOFFIT DETAIL
 1/2\"/>

Order Plans