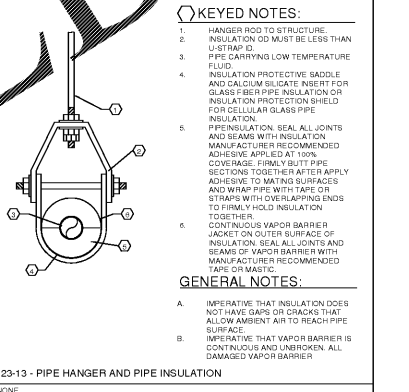
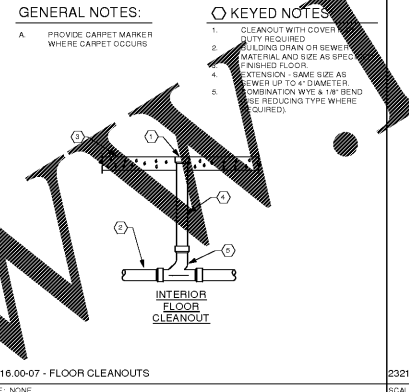
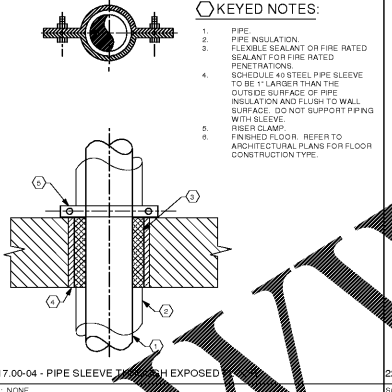
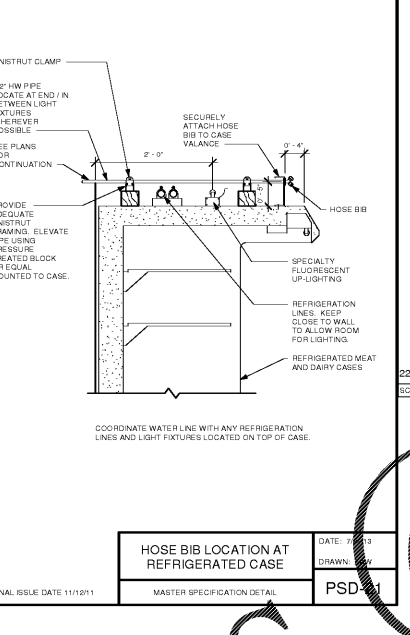
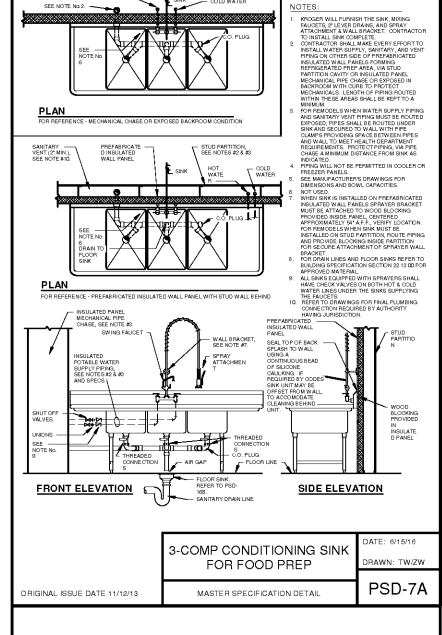
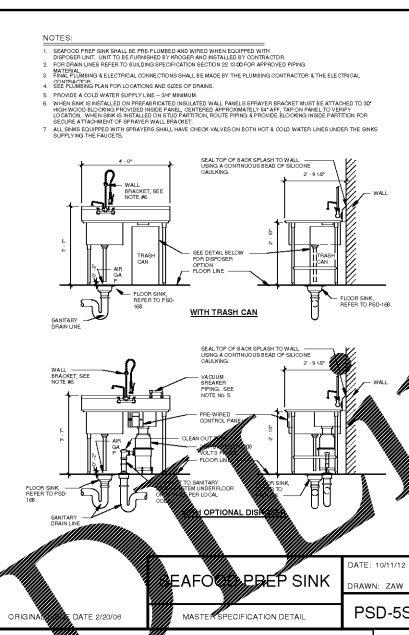
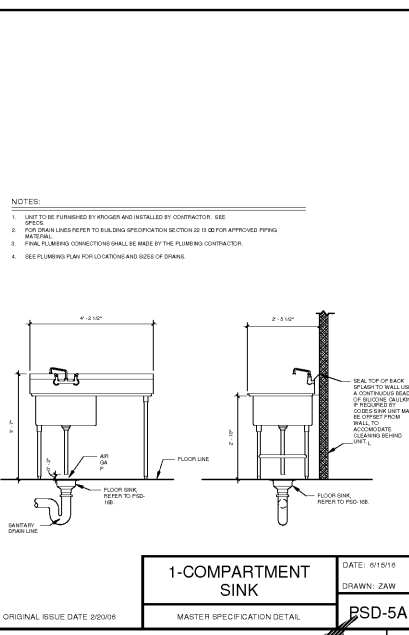
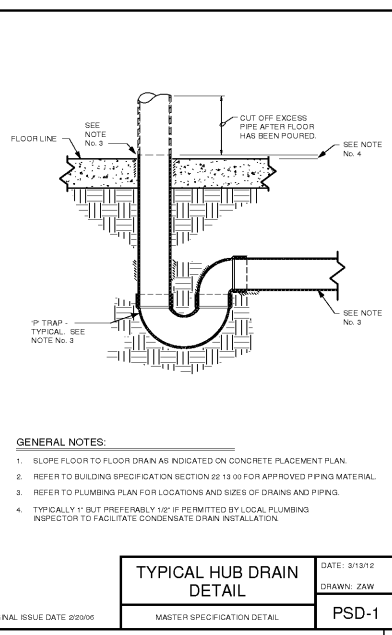
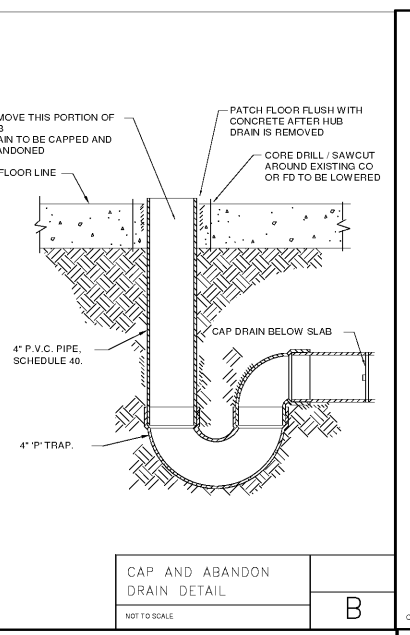
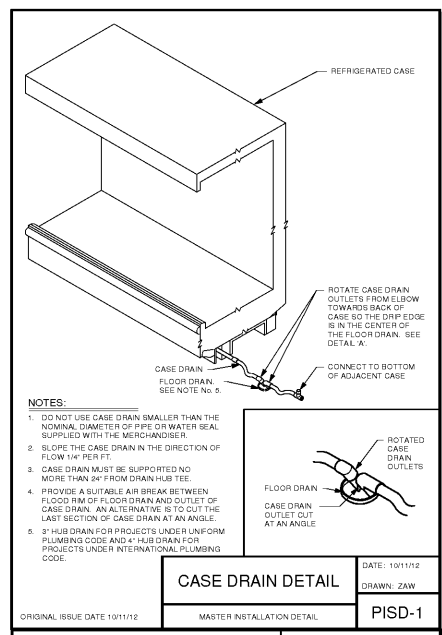


STUDIO A architects  
 LEONIDA, KENTUCKY  
 WWW.STUDIOAARCHITECTS.COM  
 1871 E. BURNETT DRIVE, SUITE 111  
 LEONIDA, KY 40335  
 TEL: 502-221-9600  
 FAX: 502-221-9601

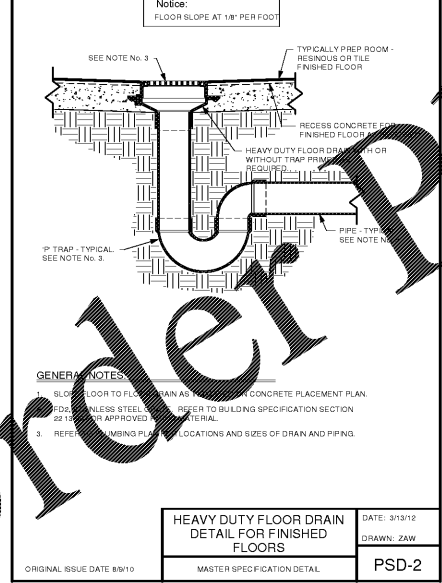


**KROGER PLUMBING FIXTURE CONNECTION SCHEDULE**

#	DESCRIPTION	HW	CW	REMARKS	PROVIDED BY	INSTALLED BY
PL01	COLD WATER HOSE BIB	NA	3/4"	MOUNT 2" O.D. A.F.F. SEE SPEC. PROVIDE A #1012 BACKFLOW PREVENTER COORDINATE THE INSTALLATION WITH THE EQUIPMENT AND FIXTURES.	P.C.	P.C.
PL02	WATER HOSE BIB (PROPORTIONER VENDOR SUPPLY)	1/2"	NA	REQUIRES COLD WATER HOSE BIB. HOUSE INSIDE OF SIS CABINET. REFER TO DETAIL PSD-57. SEE VENDOR DETAIL.	OWNER	P.C.
PL03	COLD WATER HOSE BIB	3/4"	NA	MOUNT 2" O.D. A.F.F. SEE SPEC. PROVIDE A #1012 BACKFLOW PREVENTER COORDINATE THE INSTALLATION WITH THE EQUIPMENT AND FIXTURES. SUPPLY WITH LOGOSE TEE KEY OPTION.	P.C.	P.C.
PL04	COLD WATER HOSE BIB	3/4"	NA	MOUNT ABOVE CASE. SEE SPEC. PROVIDE A #1012 BACKFLOW PREVENTER. COORDINATE THE INSTALLATION WITH THE EQUIPMENT AND FIXTURES. SUPPLY WITH LOGOSE TEE KEY OPTION.	P.C.	P.C.
PL05	COUNTERTOP ACCESSIBLE BREAKROOM SINK (VENDOR'S BUSINESS MODEL B-1/S-D)	1/2"	1/2"	PROVIDE VALVED WATER LINES AND DRAIN	P.C.	P.C.
PL06	FLOOR SINK (PROVIDE)	1/2"	1/2"	PROVIDE VALVED WATER LINES AND DRAIN	OWNER	P.C.
PL07	1-COMPARTMENT PREP SINK (1" BOWL) (NO DRAINBOARD)	1/2"	1/2"	PROVIDE VALVED WATER LINES AND DRAIN	OWNER	P.C.
PL08	1-COMPARTMENT PREP SINK (1" BOWL) (NO DRAINBOARD)	1/2"	1/2"	PROVIDE VALVED WATER LINES AND DRAIN	OWNER	P.C.
PL09	SEAFOOD PREP SINK (NO DISPOSER/HUB)	3/4"	3/4"	PROVIDE VALVED WATERLINE AND DRAIN. REFER TO DETAIL PSD-55	OWNER	P.C.
PL10	3-COMPARTMENT SINK (20"DB)	3/4"	3/4"	PROVIDE VALVED WATER LINES AND DRAIN. REFER TO DETAIL PSD-7. PROVIDE CHECK VALVES ON WATER SUPPLIES.	OWNER	P.C.
PL11	SMALL 3-COMPARTMENT SINK (18"DB)	3/4"	3/4"	PROVIDE VALVED WATER LINES AND DRAIN. REFER TO DETAIL PSD-7. PROVIDE CHECK VALVES ON WATER SUPPLIES.	OWNER	P.C.
PL12	HAND SINK (WALL MOUNT)	1/2"	1/2"	PROVIDE VALVED WATER LINES AND DRAIN. PROVIDE BACKFLOW PREVENTER	OWNER	P.C.

**FLOOR DRAIN SCHEDULE**

FLOOR DRAIN TYPE	APPLICATION	REMARK
FD2	FLOOR DRAIN	REFER TO DETAIL PSD-2



**STUDIO A architects**  
 1871 E. BURNETT DRIVE, SUITE 111  
 LEONIDA, KY 40335  
 TEL: 502-221-9600  
 FAX: 502-221-9601

---

CONSULTANTS

MECHANICAL ELECTRICAL PLUMBING  
**MEKLH ENGINEERS**  
 1755 ALEXANDRIA AVE SUITE 111  
 COLLETON, KY 40304  
 TEL: 502-478-8808  
 FAX: 502-478-8809  
 WWW.MEKLHENGINEERS.COM

KROGER L758

234 EASTBROOKE PKWY  
1ST WASHINGTON, KY

---

CLIENT

**KROGER COMPANY**

1920 Omahy Station Court  
Louisville, Kentucky 40223

**PLUMBING STANDARD DETAILS (PSD)**

---

BID ISSUE

Project number: **20166**

Date: **06/17/2016**

No.	Description	Date

**P5.1**

20166  
06/17/2016

Order Plans

1" REFERENCE LINE  
ARS DS