



CONSULTANTS

PROJECT NAME

KROGER STORE L-758

234 EAST BROOKLE PARKWAY
MT. WASHINGTON, KY

CLIENT



KROGER COMPANY

1620 Ormsby Station Court
Louisville, Kentucky 40223

ASD
SCALE AS NOTED

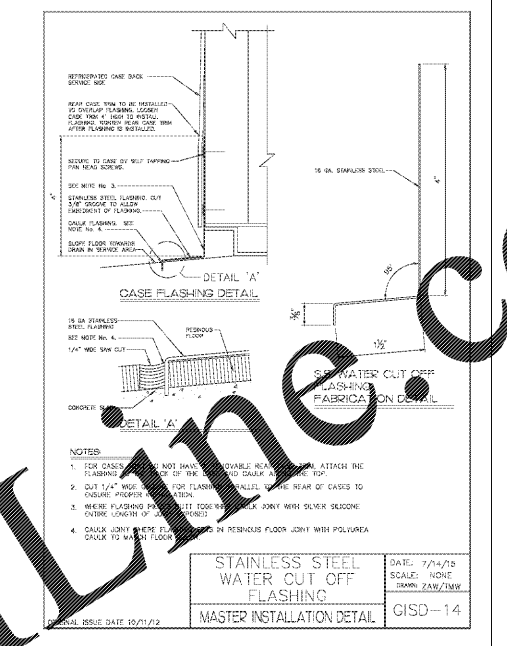
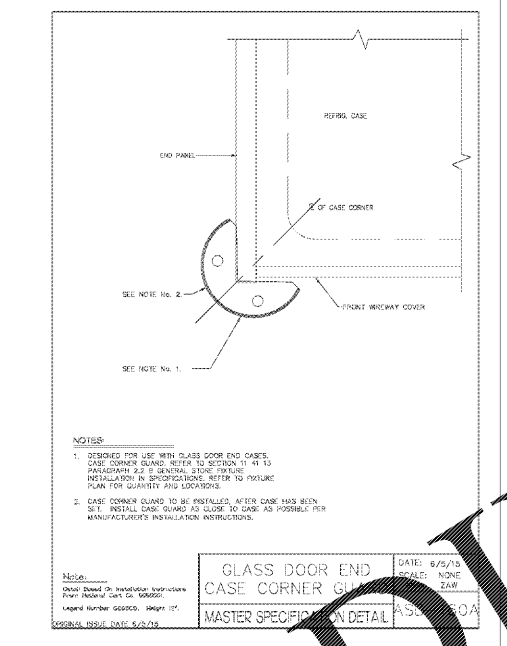
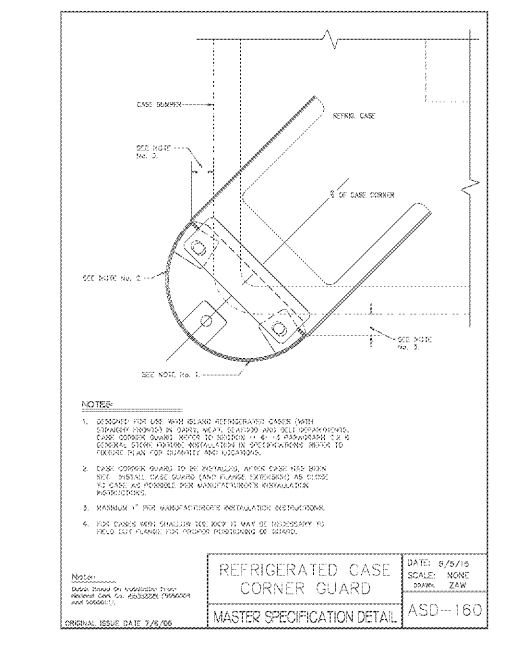
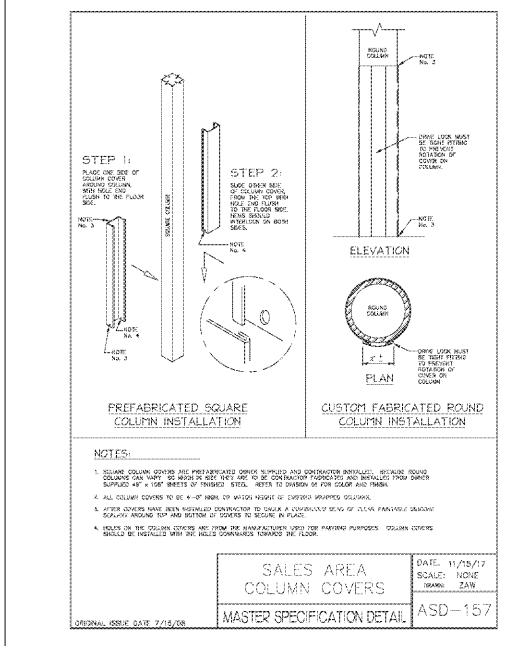
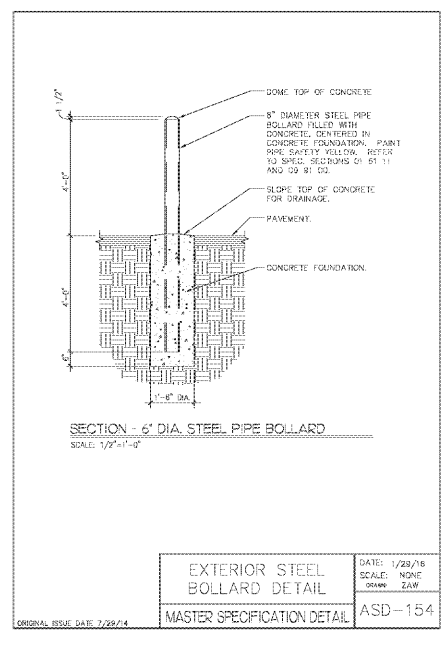
No.	Description	Date

REVIEW SET/PERMIT SET

THIS SET OF ARCHITECTURAL DRAWINGS IS THE PROPERTY OF STUDIO A ARCHITECTS. IT IS TO BE USED ONLY FOR THE PROJECT AND SITE SPECIFICALLY IDENTIFIED HEREON. IT IS NOT TO BE REPRODUCED, COPIED, OR TRANSMITTED IN ANY FORM OR BY ANY MEANS, WITHOUT THE WRITTEN PERMISSION OF STUDIO A ARCHITECTS.

A5.12

Project Number 18-KR-05-758
Date AUGUST 17, 2018



Order Plans @ www.LDILine.com