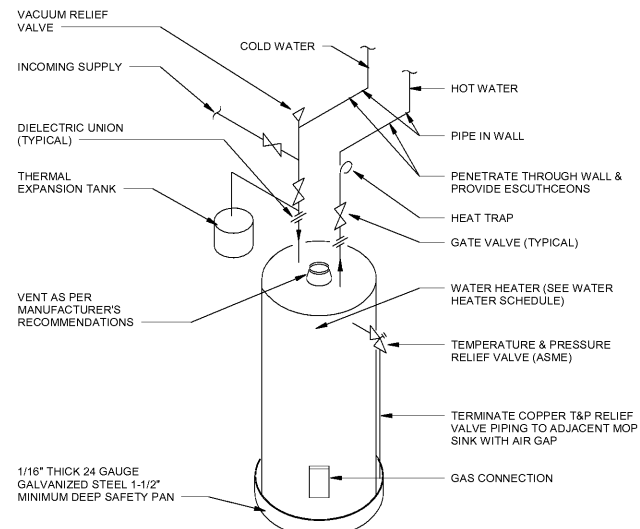
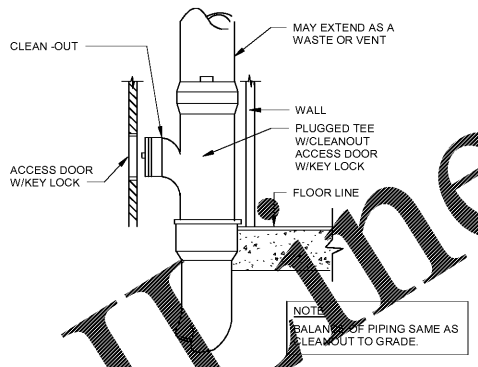


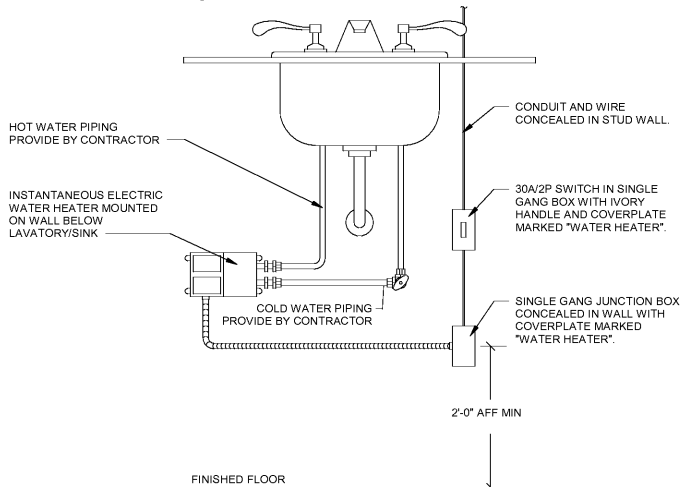
7 DETAIL - FIRE RISER
P-4.1 NOT TO SCALE



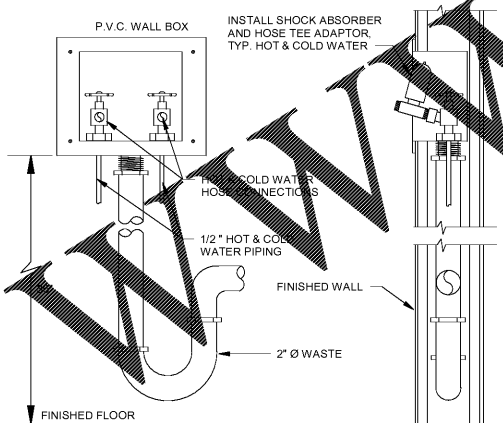
4 DETAIL - WATER HEATER
P-4.1 NOT TO SCALE



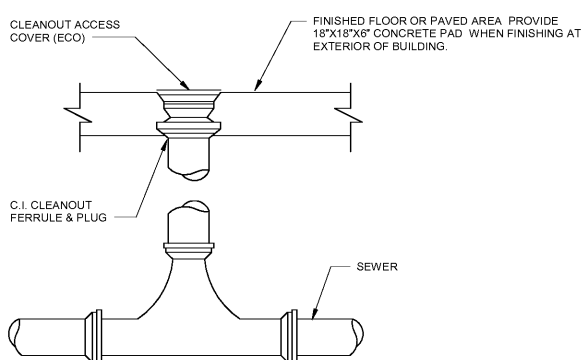
2 DETAIL - CLEAN OUT - WALL
P-4.1 NOT TO SCALE



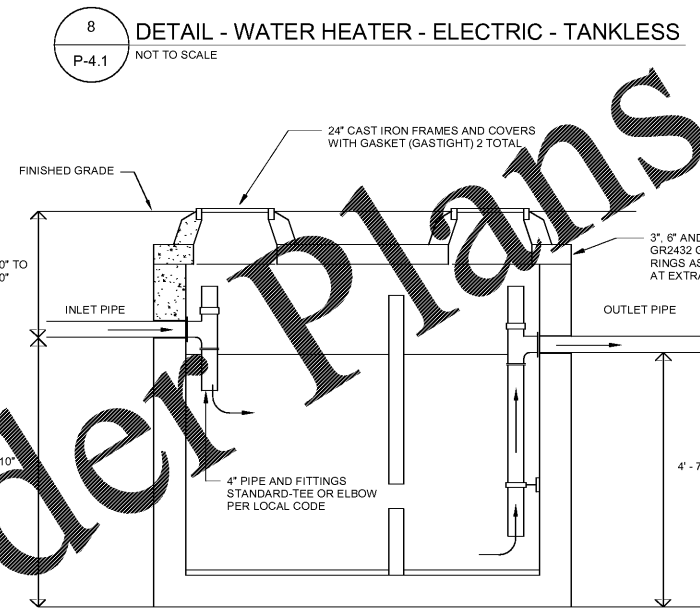
8 DETAIL - WATER HEATER - ELECTRIC - TANKLESS
P-4.1 NOT TO SCALE



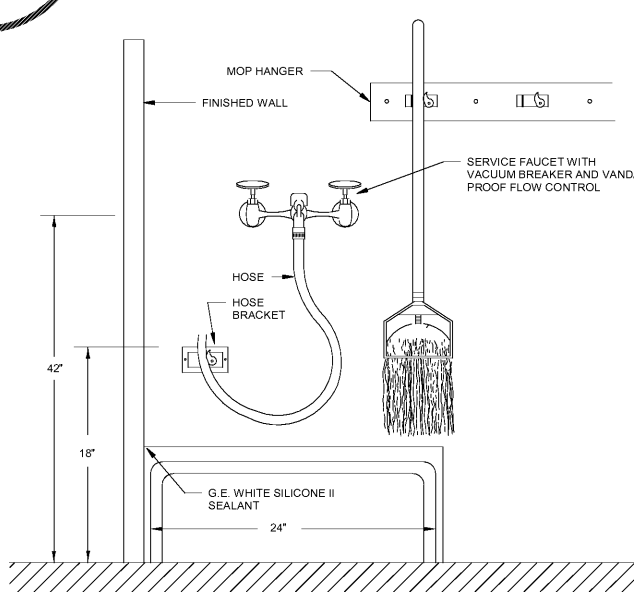
6 DETAIL - WASHING MACHINE CONNECTION
P-4.1 NOT TO SCALE



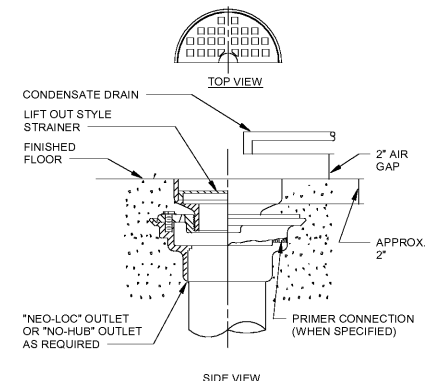
3 DETAIL - TYPICAL FLOOR DRAIN "B"
P-4.1 NOT TO SCALE



9 DETAIL - SAND/OIL SEPARATOR
P-4.1 NOT TO SCALE



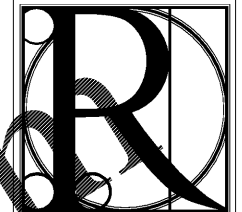
6 DETAIL - SERVICE SINK
P-4.1 NOT TO SCALE



3 DETAIL - TYPICAL FLOOR DRAIN "B"
P-4.1 NOT TO SCALE

- FLOOR DRAIN NOTES:
1. INSTALL DRAINS IN ACCORDANCE WITH MANUFACTURER'S WRITTEN INSTRUCTIONS AND IN LOCATIONS INDICATED.
 2. INSTALL DRAINS IN THE LOW POINTS OF THE SURFACE AREAS TO BE DRAINED. SET TOPS OF DRAINS FLUSH WITH FINISHED FLOOR.
 3. INSTALL DRAIN FLASHING COLLAR OR FLANGE SO THAT NO LEAKAGE OCCURS BETWEEN DRAIN AND ADJOINING ROOFING OR FLOORING.
 4. POSITION DRAINS SO THAT THEY ARE ACCESSIBLE AND EASY TO MAINTAIN.
 5. THE INSTALLER OF THE DRAINS SHALL BE ADVISED OF REQUIRED PROTECTION FOR THE DRAINS DURING THE REMAINDER OF THE CONSTRUCTION PERIOD. TO AVOID CLOGGING WITH CONSTRUCTION MATERIALS AND DEBRIS AND TO PREVENT DAMAGE FROM TRAFFIC AND CONSTRUCTION WORK, COMMON DUCT TAPE SHALL NOT BE USED DUE TO DIFFICULTY OF REMOVAL AT A LATER DATE. REMOVAL OF DEBRIS OF ALL TYPES SHALL BE THE RESPONSIBILITY OF THE PLUMBING CONTRACTOR. GRATES SHALL NOT BE INSTALLED UNTIL SUBSTANTIAL COMPLETION AND THEN SHALL BE INSTALLED IN A LIKE NEW CONDITION.

Order Plans



DESIGN WORKS

FANNIN COUNTY:
722 Black Dog Trail
P.O. Box 639
Blue Ridge, GA 30513
Phone 706.374.4304

COBB COUNTY:
1480 Shiloh Road NW
Suite #300
Kennesaw, GA 30144
Phone 770.790.3655
Fax 770.790.3650

SAVANT
Engineering, LLC
5064 Roswell Road, Suite D-301
Sandy Springs, GA 30342 770.319.7400
Project 16047 ©2016

DETAILS - PLUMBING

FANNIN CO. PUBLIC SAFETY COMPLEX
BLUE RIDGE, GA 30513

TITLE:	PROJECT:
ISSUE:	REVISIONS:

SEAL



DRAWN BY/ CHECKED BY:
RHR/RGV

DATE:
04.19.2017

PROJECT NO. SHEET NO.:

1517 P-4.1

Copyright © 2016
R Design Works