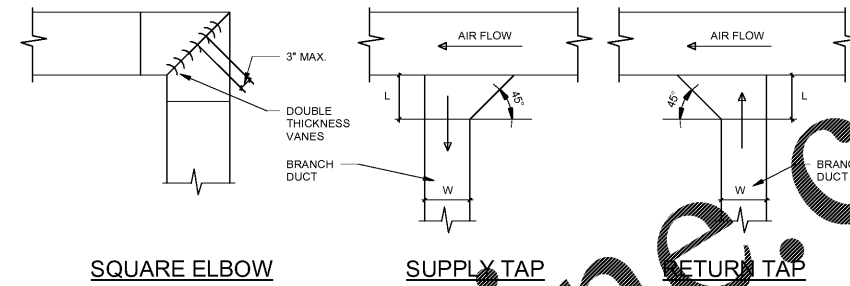
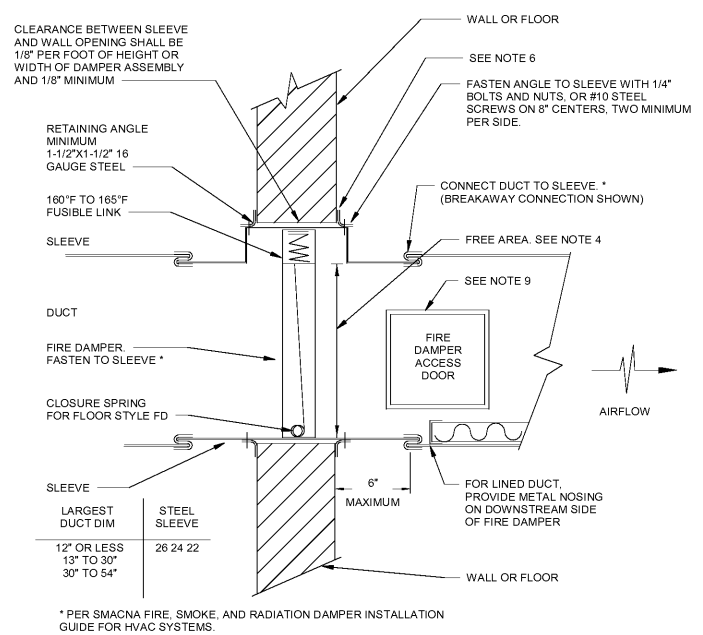


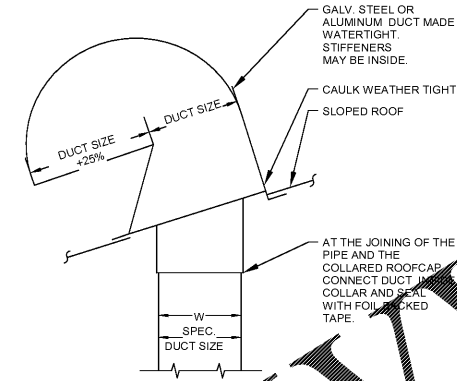
6 DETAIL - DIFFUSER CONNECTION  
M-3.1 NOT TO SCALE



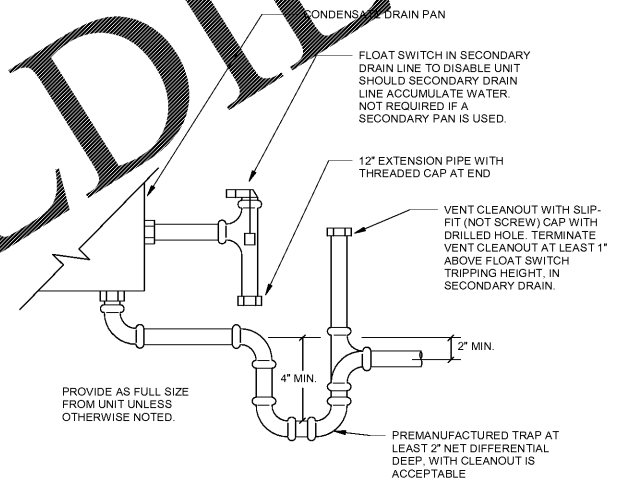
3 DETAIL - DUCTWORK  
M-3.1 NOT TO SCALE



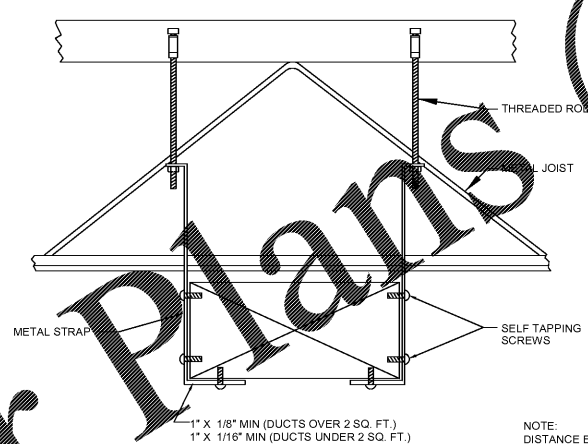
7 DETAIL - FIRE DAMPER  
M-3.1 NOT TO SCALE



DETAIL - ROOF CAP  
M-3.1 NOT TO SCALE



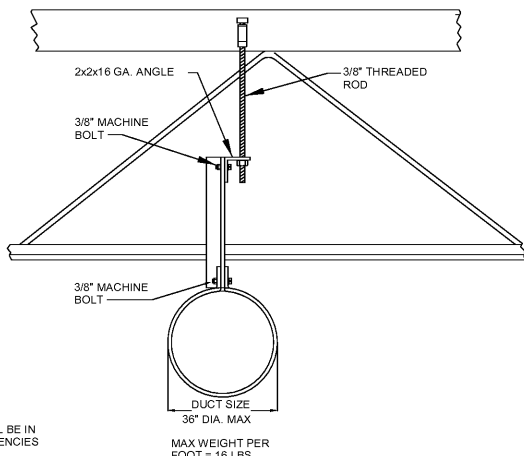
2 DETAIL - CONDENSATE TRAP  
M-3.1 NOT TO SCALE



DUCTWORK SUPPORT DETAIL

NOT TO SCALE  
RECTANGULAR DUCTS  
MIN. GALV. SHT.

MAX. SIDE INCHES	GAUGE	ALUMINUM MIN. B & S GAUGE
THROUGH 12	26 (0.022 IN.)	24 (0.020 IN.)
13 THROUGH 30	24 (0.028 IN.)	22 (0.025 IN.)
31 THROUGH 54	22 (0.034 IN.)	20 (0.032 IN.)
55 THROUGH 84	20 (0.040 IN.)	18 (0.040 IN.)
OVER 84	18 (0.052 IN.)	16 (0.051 IN.)

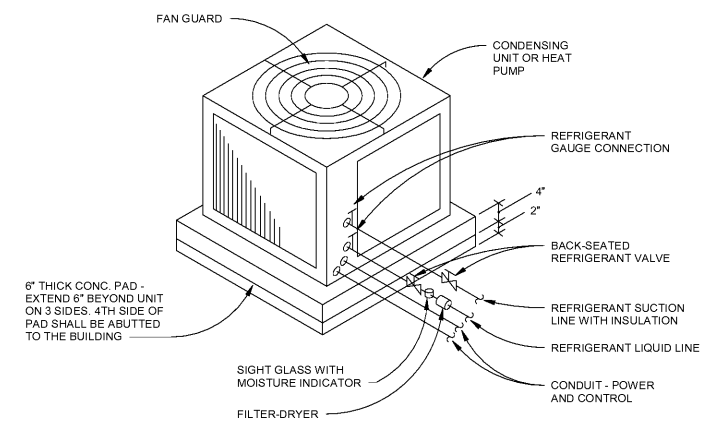


ROUND DUCT SUPPORT DETAIL

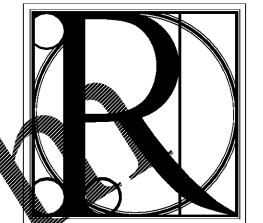
NOT TO SCALE  
ROUND DUCTS LONGITUDINAL SEAM

DIAMETER INCHES	SPIRAL SEAM DUCT STEEL MIN. GALV. SHT. GAUGE	DUCT STEEL MIN. GALV. SHT. GAUGE	FITTINGS STEEL MIN. GALV. SHT. GAUGE
THROUGH 12	28 (0.019 IN.)	26 (0.022 IN.)	26 (0.022 IN.)
13 THROUGH 18	26 (0.022 IN.)	24 (0.028 IN.)	24 (0.028 IN.)
19 THROUGH 28	24 (0.028 IN.)	22 (0.034 IN.)	22 (0.034 IN.)
29 THROUGH 36	22 (0.034 IN.)	20 (0.040 IN.)	20 (0.040 IN.)
37 THROUGH 52	20 (0.040 IN.)	18 (0.052 IN.)	18 (0.052 IN.)

4 DETAIL - DUCT SUPPORT  
M-3.1 NOT TO SCALE



1 DETAIL - CONDENSING UNIT MOUNTING  
M-3.1 NOT TO SCALE



**DESIGN WORKS**

FANNIN COUNTY:  
722 Black Dog Trail  
P.O. Box 639  
Blue Ridge, GA 30513  
Phone 706.374.4304

COBB COUNTY:  
1480 Shiloh Road NW  
Suite #300  
Kennesaw, GA 30144  
Phone 770.790.3655  
Fax 770.790.3650

**SAVANT Engineering, LLC**

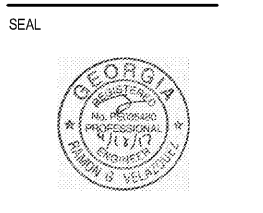
5064 Roswell Road, Suite D-301  
Sandy Springs, GA 30342 770.319.7400  
Project 16047 ©2016

H.V.A.C. DETAILS

FANNIN CO. PUBLIC SAFETY COMPLEX  
BLUE RIDGE, GA 30513

TITLE: PROJECT:

ISSUE:	REVISIONS:



DRAWN BY: DATE:  
CHECKED BY: 04.19.2017

PROJECT NO. SHEET NO.:

1517	M-3.1
------	-------

Order Plans @