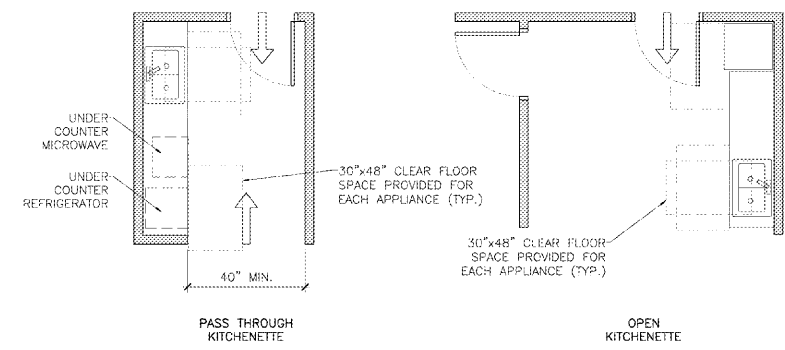


TOTAL NUMBER OF GUEST ROOMS PROVIDED	MINIMUM NUMBER OF REQUIRED ROOMS WITHOUT ROLL-IN SHOWERS	MINIMUM NUMBER OF REQUIRED ROOMS WITH ROLL-IN SHOWERS	TOTAL NUMBER OF REQUIRED ROOMS
1 TO 25	1	0	1
26 TO 50	2	0	2
51 TO 75	3	1	4
76 TO 100	4	1	5
101 TO 150	5	2	7
151 TO 200	6	2	8
201 TO 300	7	3	10
301 TO 400	8	4	12
401 TO 500	9	4	13
501 TO 1000	2% OF TOTAL	1% OF TOTAL	3% OF TOTAL
1001 AND OVER	20, PLUS 1 FOR EACH 100, OR FRACTION THEREOF, OVER 1000	10, PLUS 1 FOR EACH 100, OR FRACTION THEREOF, OVER 1000	30, PLUS 2 FOR EACH 100, OR FRACTION THEREOF, OVER 1000

TOTAL NUMBER OF GUEST ROOMS PROVIDED	MINIMUM NUMBER OF REQUIRED ROOMS WITH COMMUNICATIONS FEATURES
2 TO 25	2
26 TO 50	4
51 TO 75	7
76 TO 100	9
101 TO 150	12
151 TO 200	14
201 TO 300	17
301 TO 400	20
401 TO 500	22
501 TO 1000	5% OF TOTAL
1001 AND OVER	50, PLUS 3 FOR EACH 100, OR FRACTION THEREOF, OVER 1000



GENERAL NOTES:

- GUEST ROOMS REQUIRED TO PROVIDE MOBILITY FEATURES AND GUEST ROOMS REQUIRED TO PROVIDE COMMUNICATION FEATURES SHALL BE DISPERSED AMONG THE VARIOUS CLASSES OF GUEST ROOMS, AND SHALL PROVIDE CHOICES OF TYPES OF GUEST ROOMS, NUMBER OF BEDS, AND OTHER AMENITIES COMPARABLE TO THE CHOICES PROVIDED TO OTHER GUESTS. WHERE THE MINIMUM NUMBER OF GUEST ROOMS REQUIRED IS NOT SUFFICIENT TO ALLOW FOR COMPLETE DISPERSION, GUEST ROOMS SHALL BE DISPERSED IN THE FOLLOWING PRIORITY: GUEST ROOM TYPE, NUMBER OF BEDS, AND AMENITIES. AT LEAST ONE GUEST ROOM REQUIRED TO PROVIDE MOBILITY FEATURES SHALL ALSO PROVIDE COMMUNICATION FEATURES. NOT MORE THAN 10% OF GUEST ROOMS REQUIRED TO PROVIDE MOBILITY FEATURES SHALL OVERLAP WITH THE MINIMUM NUMBER OF GUEST ROOMS REQUIRED TO PROVIDE COMMUNICATION FEATURES.

GUEST ROOMS WITH MOBILITY FEATURES NOTES:

- LIVING AND DINING AREAS SHALL BE ACCESSIBLE.
- EXTERIOR SPACES, INCLUDING PATIOS, TERRACES AND BALCONIES, THAT SERVE THE GUEST ROOM SHALL BE ACCESSIBLE (AND ON AN ACCESSIBLE ROUTE).
- AT LEAST ONE SLEEPING AREA SHALL PROVIDE A CLEAR FLOOR SPACE ON BOTH SIDES OF THE BED (REFER TO DETAIL 4/4.0). THE CLEAR FLOOR SPACE SHALL BE POSITIONED FOR A PARALLEL APPROACH TO THE SIDE OF THE BED. WHERE A SINGLE CLEAR FLOOR SPACE POSITIONED FOR A PARALLEL APPROACH IS PROVIDED BETWEEN TWO BEDS, A CLEAR FLOOR SPACE SHALL NOT BE REQUIRED ON BOTH SIDES OF A BED.
- AT LEAST ONE BATHROOM THAT IS PROVIDED AS A PART OF A GUEST ROOM SHALL BE ACCESSIBLE. NO FEWER THAN ONE WATER CLOSET, ONE LAVATORY, AND ONE BATHTUB SHALL BE ACCESSIBLE. REFER TO DETAIL SHEET 3.0 FOR ADDITIONAL INFORMATION.
- IF VANITY COUNTER TOP SPACE IS PROVIDED IN NON-ACCESSIBLE GUEST TOILET OR BATHING ROOMS, COMPARABLE VANITY COUNTER TOP SPACE, IN TERMS OF SIZE AND PROXIMITY TO THE LAVATORY, SHALL ALSO BE PROVIDED IN ACCESSIBLE GUEST TOILET OR BATHING ROOMS.
- KITCHENS AND KITCHENETTES SHALL BE ACCESSIBLE (REFER TO DETAIL 3/4.0).
- A 60" DIAMETER TURNING SPACE (OR "T" TURN) SHALL BE PROVIDED IN THE GUEST ROOM (REFER TO DETAIL 4/4.0).

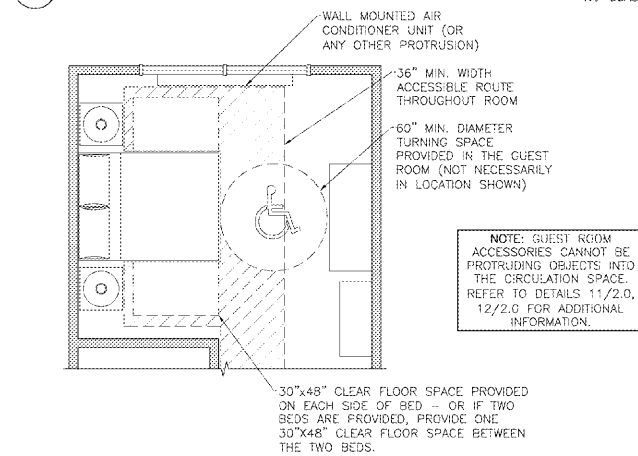
GUEST ROOMS WITH COMMUNICATIONS FEATURES NOTES:

- FIRE ALARM SYSTEMS SHALL HAVE PERMANENTLY INSTALLED AUDIBLE AND VISUAL ALARMS.
- VISIBLE NOTIFICATION DEVICES SHALL BE PROVIDED TO ALERT ROOM OCCUPANTS OF INCOMING TELEPHONE CALLS AND A DOOR KNOCK OR BELL. NOTIFICATION DEVICES SHALL NOT BE CONNECTED TO VISIBLE ALARM SIGNAL APPLIANCES. TELEPHONES SHALL HAVE VOLUME CONTROLS COMPATIBLE WITH THE TELEPHONE SYSTEM. TELEPHONES SHALL BE SERVED BY AN ELECTRICAL OUTLET LOCATED WITHIN 48" OF THE TELEPHONE TO FACILITATE THE USE OF A TTY.

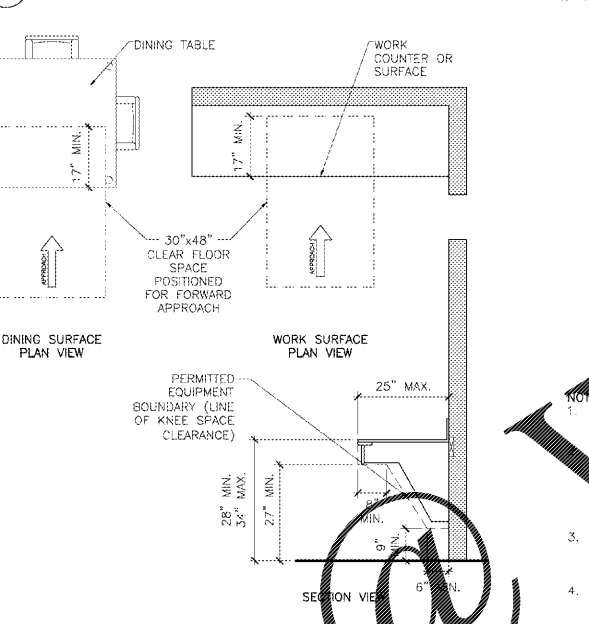
NOTES:

- IN PASS THROUGH KITCHENS, WHERE COUNTERS, APPLIANCES OR CABINETS ARE ON TWO OPPOSING SIDES, OR WHERE COUNTERS, APPLIANCES OR CABINETS ARE OPPOSITE A PARALLEL WALL, CLEARANCE BETWEEN ALL OPPOSING BASES, CABINETS, COUNTER TOPS, APPLIANCES, OR WALLS WITHIN KITCHEN WORK AREA SHALL BE 40" MINIMUM. PASS THROUGH KITCHENS SHALL HAVE TWO ENTRIES.
- SINKS SHALL BE AT 34" AFF WITH THE REQUIRED KNEE AND TOE CLEARANCE PROVIDED (REFER TO DETAIL 3/3.0 OR 5/4.0 FOR SIMILAR).
- AT LEAST 50% OF THE SHELF SPACE IN STORAGE FACILITIES SHALL BE ACCESSIBLE, LOCATED AT A HEIGHT WITHIN REACH RANGE SHOWN IN DETAILS 14/2.0, 15/2.0.
- A 30"x48" CLEAR FLOOR SPACE PROVIDED FOR ACCESS AT EACH KITCHEN APPLIANCE AND EACH ACCESSIBLE STORAGE FACILITY.
- CLEAR FLOOR SPACE SHALL BE POSITIONED ADJACENT TO THE DISHWASHER DOOR. THE DISHWASHER DOOR, IN THE OPEN POSITION, SHALL NOT OBSTRUCT THE CLEAR FLOOR SPACE FOR THE DISHWASHER OR THE SINK.
- COMBINATION REFRIGERATORS AND FREEZERS SHALL HAVE AT LEAST 50% OF THE FREEZER SPACE 34" MAXIMUM ABOVE THE FINISH FLOOR OR GROUND. THE CLEAR FLOOR SPACE SHALL BE POSITIONED FOR A PARALLEL APPROACH TO THE SPACE TO BE LOCATED TO THE CENTERLINE OF THE REFRIGERATOR/FREEZER WITH THE CENTERLINE OF THE CLEAR FLOOR SPACE OFFSET 24" MAXIMUM FROM THE CENTERLINE OF THE INDICATED SPACE.
- ALL STORAGE AND APPLIANCE PARTS SHALL OPERATE WITHIN REACH RANGE AND SHALL NOT REQUIRE TIGHT GRASPING, PINCHING, OR TWISTING OF THE WRIST. THE FORCE REQUIRED TO ACTIVATE OPERABLE PARTS SHALL BE 5 POUNDS MAXIMUM.

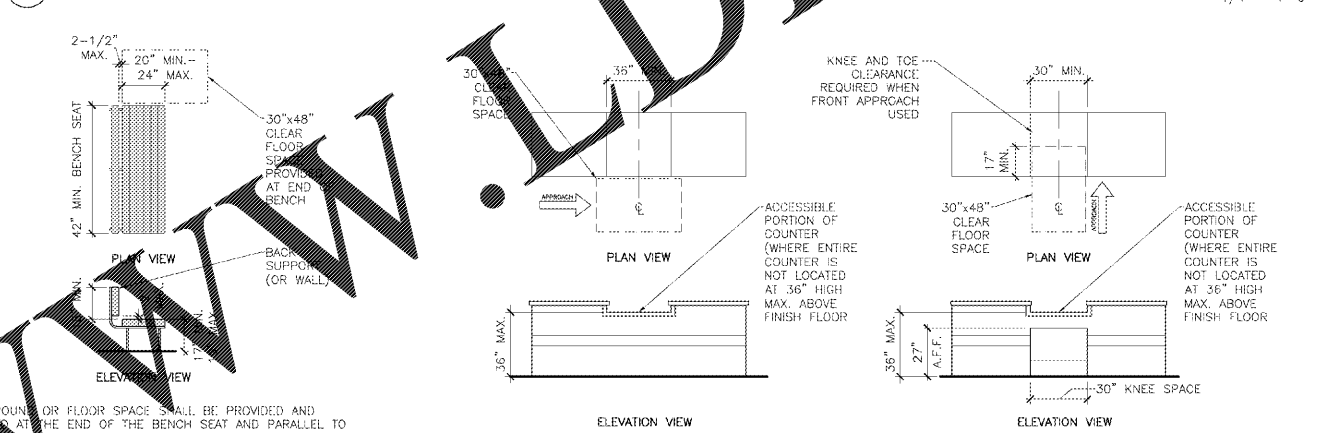
1 GUEST ROOMS WITH MOBILITY FEATURES TABLE NO SCALE



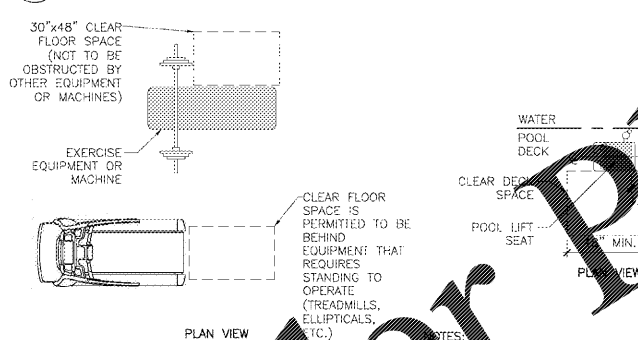
2 GUEST ROOMS WITH COMMUNICATIONS FEATURES TABLE NO SCALE



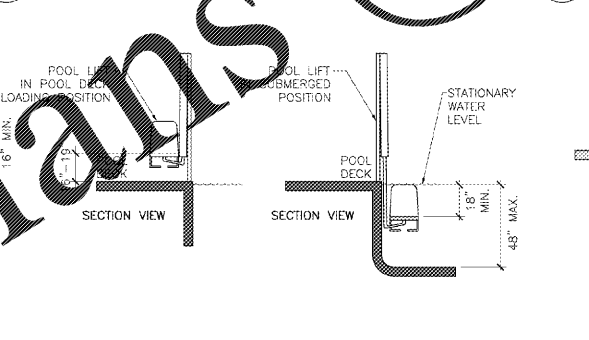
3 GUEST ROOM WITH MOBILITY FEATURES KITCHEN DETAILS 1/4" = 1'-0"



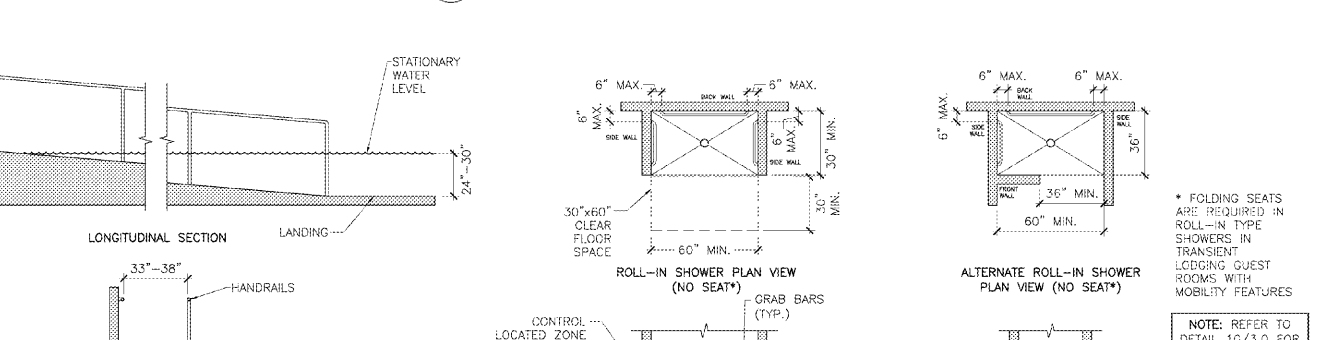
4 GUEST ROOM WITH MOBILITY FEATURES DETAIL 1/4" = 1'-0"



5 ACCESSIBLE DINING & WORK SURFACES DETAIL 1/2" = 1'-0"



6 ACCESSIBLE BENCH DETAIL 1/4" = 1'-0"



NOTES:

- AT LEAST ONE TYPE OF EACH EXERCISE MACHINE AND EQUIPMENT SHALL HAVE A CLEAR FLOOR SPACE POSITIONED FOR TRANSFER FOR USE BY INDIVIDUALS USING A WHEELCHAIR.
- CLEAR FLOOR SPACES REQUIRED AT EXERCISE MACHINES AND EQUIPMENT SHALL BE PERMITTED TO OVERLAP. CLEAR FLOOR SPACE IS PERMITTED TO ADJOIN AN ACCESSIBLE ROUTE OR ADJOIN AN ACCESSIBLE FLOOR OR GROUND SURFACE.

NOTES:

- POOL DECKS SHALL BE LOCATED WHERE THE WATER LEVEL DOES NOT EXCEED 48".
- IF THE POOL DECK IS RAISED POSITION, THE CENTERLINE OF THE SEAT SHALL BE LOCATED OVER THE DECK AND 16" MIN. FROM THE POOL EDGE. THE DECK SURFACE BETWEEN THE CENTERLINE OF THE SEAT AND THE POOL EDGE SHALL HAVE A SLOPE NOT STEEPER THAN 1:48 (2%).
- THE HEIGHT OF THE LIFT SEAT SHALL BE DESIGNED TO ALLOW A STOP AT 15" MIN. TO 19" MAX. MEASURED FROM THE DECK TO THE TOP OF THE SEAT SURFACE WHEN IN THE RAISED (LOAD) POSITION.
- THE SEAT SHALL BE 18" WIDE MIN.
- FOOTRESTS SHALL BE PROVIDED AND SHALL MOVE WITH THE SEAT. IF PROVIDED, THE ARMREST POSITIONED OPPOSITE THE WATER SHALL BE REMOVABLE OR SHALL FOLD CLEAR OF THE SEAT WHEN THE SEAT IS IN THE RAISED (LOAD) POSITION.
- FOOTRESTS SHALL NOT BE REQUIRED ON POOL LIFTS PROVIDED IN SPAS.
- THE LIFT SHALL BE CAPABLE OF UNASSISTED OPERATION FROM BOTH THE DECK AND WATER LEVELS. CONTROLS AND OPERATING MECHANISMS SHALL BE UNOBSTRUCTED WHEN THE LIFT IS IN USE AND SHALL BE OPERABLE WITH ONE HAND AND SHALL NOT REQUIRE TIGHT GRASPING, PINCHING, OR TWISTING OF THE WRIST. THE FORCE REQUIRED TO ACTIVATE OPERABLE PARTS SHALL BE 5 POUNDS MAX.
- THE LIFTS SHALL BE DESIGNED SO THAT THE SEAT WILL SUBMERGE TO A WATER DEPTH OF 18" MIN. BELOW THE STATIONARY WATER LEVEL.
- SINGLE PERSON POOL LIFTS SHALL HAVE A WEIGHT CAPACITY OF 300 POUNDS MIN. AND BE CAPABLE OF SUSTAINING A STATIC LOAD OF AT LEAST ONE AND A HALF TIMES THE RATED LOAD.

NOTES:

- SLOPED ENTRIES INTO POOL SHALL COMPLY WITH RAMP REQUIREMENTS (REFER TO DETAILS 9/1.0, 10/1.0) WITH MODIFICATIONS AS LISTED BELOW.
- WHERE SLOPED ENTRIES ARE PROVIDED, THE SURFACES SHALL NOT BE REQUIRED TO BE SLIP RESISTANT.
- SLOPED ENTRIES SHALL EXTEND TO A DEPTH OF 24" MIN. AND 30" MAX. BELOW THE STATIONARY WATER LEVEL. WHERE LANDINGS ARE REQUIRED, AT LEAST ONE LANDING SHALL BE LOCATED 24" MIN. AND 30" MAX. BELOW THE STATIONARY WATER LEVEL.
- AT LEAST TWO HANDRAILS SHALL BE PROVIDED ON THE SLOPED ENTRY. THE CLEAR WIDTH BETWEEN THE HANDRAILS SHALL BE 33" MIN. AND 38" MAX.
- HANDRAIL EXTENSIONS SHALL NOT BE REQUIRED AT THE BOTTOM LANDING WHEN SERVING A SLOPED ENTRY.

8 ACCESS AT EXERCISE EQUIPMENT DETAIL 1/4" = 1'-0"



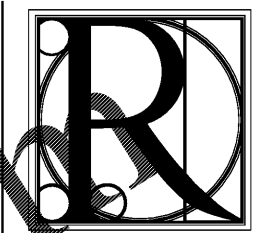
9 POOL LIFT DETAIL 1/4" = 1'-0"



10 SLOPED ENTRY AT POOL DETAIL 1/4" = 1'-0"



11 ACCESSIBLE PUBLIC ROLL-IN TYPE SHOWER COMPARTMENT DETAIL (WITHOUT SEAT) 1/4" = 1'-0"



DESIGN WORKS

FANNIN COUNTY:
722 Black Dog Trail
P.O. Box 639
Blue Ridge, GA 30513
Phone 770.374.4304

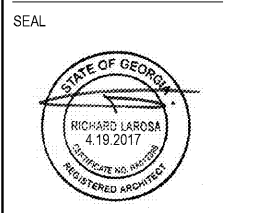
COBB COUNTY:
1480 Shiloh Road NW
Suite #300
Kennesaw, GA 30144
Phone 770.790.3655
Fax 770.790.3650

MISC. ACCESSIBILITY DETAILS

FANNIN CO. PUBLIC SAFETY COMPLEX
964 WINDY RIDGE ROAD
BLUE RIDGE, GA 30513

TITLE: PROJECT:

ISSUE:	REVISIONS:



DRAWN BY: DATE:

K.W. 4.19.2017

PROJECT NO. SHEET NO.:

1517 A-8.3

Copyright © 2017
R Design Works