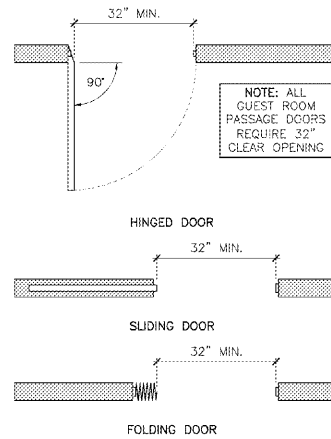


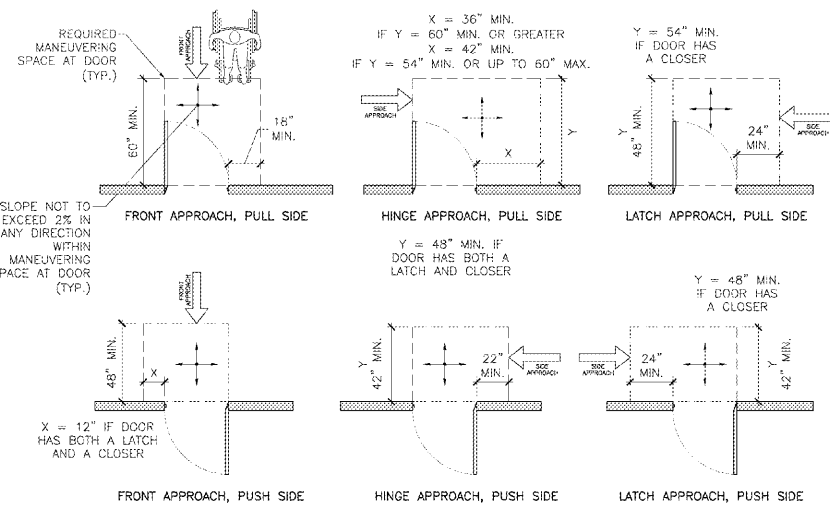
- NOTES:**
- CHARACTERS SHALL BE 48 INCHES MINIMUM AND 60 INCHES MAXIMUM ABOVE THE FLOOR OR GROUND SURFACE, MEASURED TO THE BASELINE OF THE CHARACTERS.
  - WHERE A SIGN CONTAINING TACTILE CHARACTERS IS PROVIDED AT A DOOR, THE SIGN SHALL BE ALONGSIDE THE DOOR ON THE LATCH SIDE. WHERE A TACTILE SIGN IS PROVIDED AT DOUBLE DOORS, THE SIGN SHALL BE TO THE RIGHT OF THE RIGHT-HAND DOOR. WHERE THERE IS NO WALL SPACE ON THE LATCH SIDE OF A SINGLE DOOR, OR TO THE RIGHT SIDE OF DOUBLE DOORS, SIGNS SHALL BE ON THE NEAREST ADJACENT WALL. SIGNS CONTAINING TACTILE CHARACTERS SHALL HAVE AN 18" MIN. BY 18" MIN. SPACE ON THE FLOOR, CENTERED ON THE SIGN, BEYOND THE ARC OF ANY DOOR SWING BETWEEN THE CLOSED POSITION AND 45 DEGREE OPEN POSITION.
  - DOOR-MOUNTED SIGNS SHALL BE PERMITTED ON THE PUSH SIDE OF DOORS WITH CLOSERS AND WITHOUT HOLD-OPEN DEVICES.
  - REFER TO SECTION 703 OF THE 2010 ADA STANDARDS FOR REQUIREMENTS OF TACTILE CHARACTERS, VISUAL CHARACTERS, AND PICTOGRAMS.

1 ACCESSIBLE ROOM IDENTIFICATION SIGNAGE DETAIL 1/4" = 1'-0"



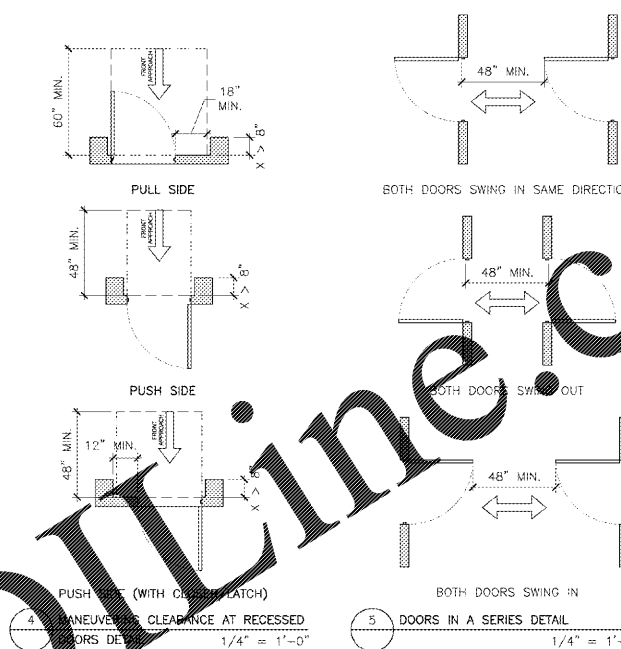
- NOTES:**
- OPENINGS MORE THAN 24" DEEP SHALL PROVIDE A CLEAR OPENING OF 36" MINIMUM.
  - THERE SHALL BE NO PROJECTIONS INTO THE REQUIRED CLEAR OPENING WIDTH LOWER THAN 34" ABOVE THE FINISH FLOOR OR GROUND. PROJECTIONS INTO THE CLEAR OPENING WIDTH BETWEEN 34" AND 80" ABOVE THE FINISH FLOOR OR GROUND SHALL NOT EXCEED 4".

2 CLEAR OPENING AT ACCESSIBLE DOORS/GATES DETAIL 1/2" = 1'-0"

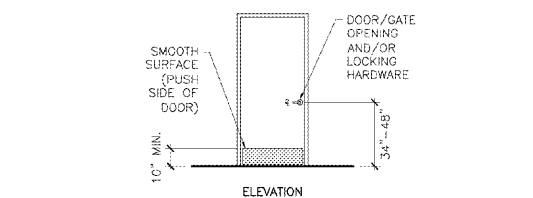


- NOTES:**
- MANEUVERING CLEARANCES FOR FORWARD APPROACH SHALL BE PROVIDED WHEN ANY OBSTRUCTION WITHIN 18" OF THE LATCH SIDE OF A DOORWAY PROJECTS MORE THAN 8" BEYOND THE FACE OF THE DOOR, MEASURED PERPENDICULAR TO THE FACE OF THE DOOR OR GATE. REFER TO DETAIL 4/2.0.
  - THE FLOOR OR GROUND SURFACE WITHIN THE REQUIRED MANEUVERING CLEARANCES SHALL SLOPE NO MORE THAN 1:48 (2%) AND CHANGES IN LEVEL WITHIN THIS AREA ARE NOT PERMITTED.

3 REQUIRED DOOR MANEUVERING CLEARANCES AT ACCESSIBLE DOORS/GATES 1/4" = 1'-0"

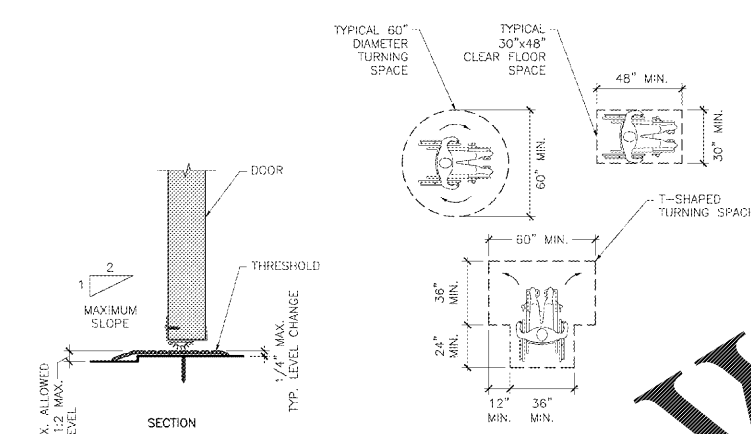


4 MANEUVERING CLEARANCE AT RECESSED DOORS DETAIL 1/4" = 1'-0"

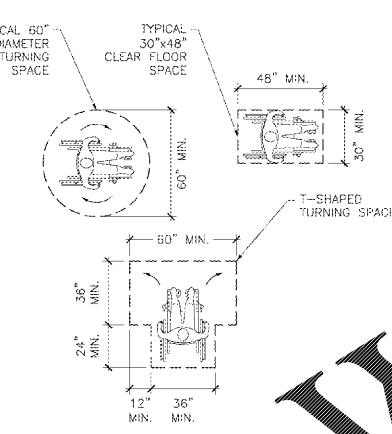


- NOTES:**
- HANDLES, PULLS, LATCHES, LOCKS, AND OTHER OPERABLE PARTS ON ACCESSIBLE DOORS SHALL HAVE A SHAPE THAT IS EASY TO GRIP WITH ONE HAND AND DOES NOT REQUIRE TIGHT GRASPING, PINCHING, OR TWISTING OF THE WRIST TO OPERATE. SUCH HARDWARE SHALL BE 34 INCHES MINIMUM AND 48 INCHES MAXIMUM ABOVE THE FLOOR OR GROUND, WHERE SLIDING DOORS ARE IN THE FULLY OPEN POSITION, OPERATING HARDWARE SHALL BE EXPOSED AND USABLE FROM BOTH SIDES.
  - DOOR CLOSERS SHALL BE ADJUSTED SO THAT FROM AN OPEN POSITION OF 90 DEGREES, THE TIME REQUIRED TO MOVE THE DOOR TO AN OPEN POSITION OF 12 DEGREES SHALL BE 5 SECONDS MINIMUM.
  - DOOR SPRING HINGES SHALL BE ADJUSTED SO THAT FROM THE OPEN POSITION OF 70 DEGREES, THE DOOR SHALL MOVE TO THE CLOSED POSITION IN 1.5 SECONDS MINIMUM, MEASURED UNDER AMBIENT CONDITIONS.
  - FIRE DOORS SHALL HAVE THE MINIMUM OPENING FORCE ALLOWED BY THE APPROPRIATE ADMINISTRATIVE AUTHORITY. THE MAXIMUM FORCE FOR PUSHING OPEN OR PULLING OPEN DOORS OTHER THAN FIRE DOORS SHALL BE AS FOLLOWS:
    - INTERIOR HINGED DOOR: 5.0 POUNDS.
    - SLIDING OR FOLDING DOOR: 5.0 POUNDS.
 THESE FORCES DO NOT APPLY TO THE FORCE REQUIRED TO RETRACT LATCH BOLTS OR DISENGAGE OTHER DEVICES THAT HOLD THE DOOR IN A CLOSED POSITION.
  - DOOR SURFACES WITHIN 10 INCHES OF THE FLOOR OR GROUND MEASURED VERTICALLY SHALL BE A SMOOTH SURFACE ON THE PUSH SIDE EXTENDING THE FULL WIDTH OF THE DOOR. PARTS CREATING HORIZONTAL OR VERTICAL JOINTS IN SUCH SURFACE SHALL BE WITHIN 1/16 INCH OF THE SAME PLANE AS THE OTHER. CAVITIES CREATED BY ADDED KICK PLATES SHALL BE CAPPED.

5 ACCESSIBLE DOOR & GATE HARDWARE DETAIL 1/4" = 1'-0"

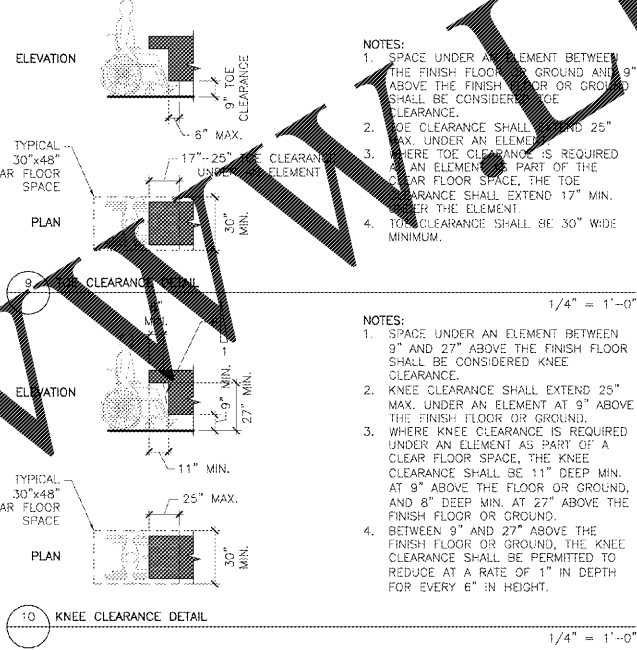


6 ACCESSIBLE DOOR THRESHOLD DETAIL NOT TO SCALE

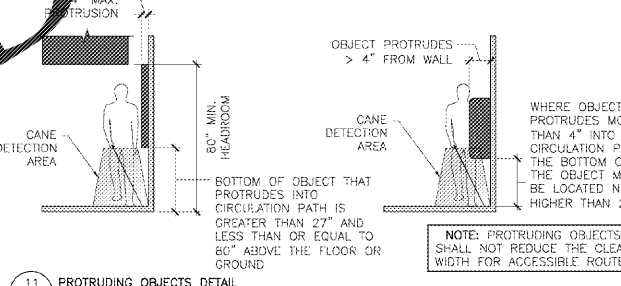


- NOTES:**
- THE FLOOR OR GROUND SURFACE WITHIN THE REQUIRED MANEUVERING OR CLEAR FLOOR SPACE SHALL SLOPE NO MORE THAN 1:48 (2%) AND CHANGES IN LEVEL WITHIN THIS AREA ARE NOT PERMITTED.
  - WHERE TURNING SPACE IS REQUIRED, THE CIRCLE OR T-SHAPED SPACE MAY BE USED.

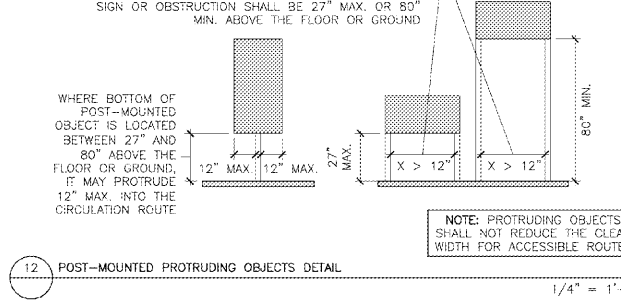
7 CLEAR FLOOR TURNING SPACE 1/4" = 1'-0"



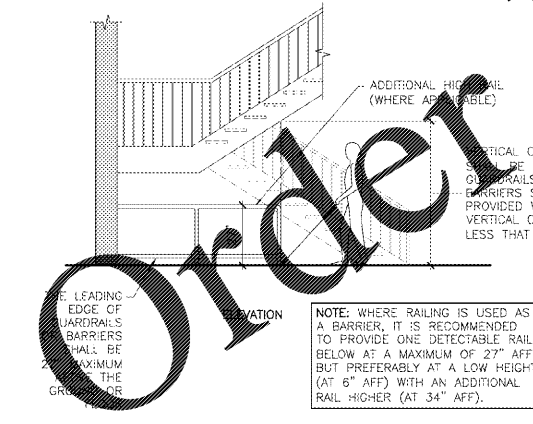
8 KNEE CLEARANCE DETAIL 1/4" = 1'-0"



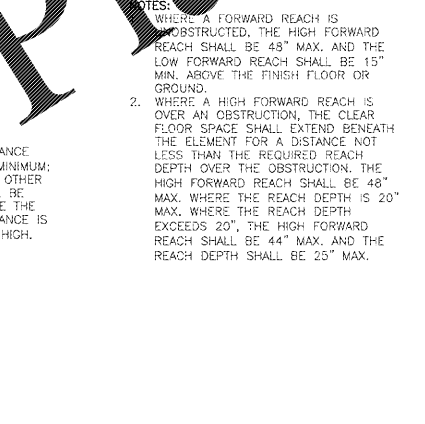
9 PROTRUDING OBJECTS DETAIL 1/4" = 1'-0"



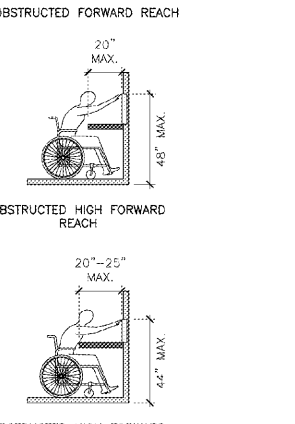
10 POST-MOUNTED PROTRUDING OBJECTS DETAIL 1/4" = 1'-0"



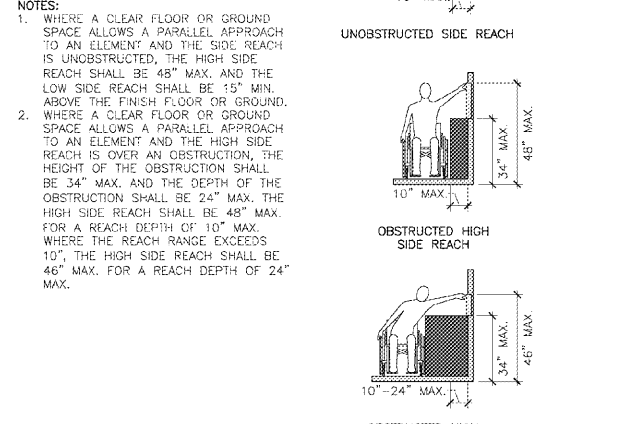
11 VERTICAL CLEARANCE DETAIL 1/4" = 1'-0"



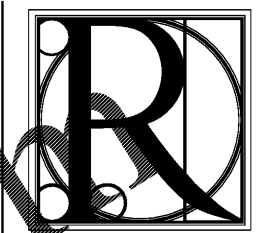
12 FORWARD REACH DETAIL



13 SIDE REACH DETAIL



14 SIDE REACH DETAIL



**DESIGN WORKS**

FANNIN COUNTY:  
722 Black Dog Trail  
P.O. Box 639  
Blue Ridge, GA 30513  
Phone 706.374.4304

COBB COUNTY:  
1480 Shiloh Road NW  
Suite #300  
Kennesaw, GA 30144  
Phone 770.790.3655  
Fax 770.790.3650

GENERAL ACCESSIBILITY DETAILS

FANNIN CO. PUBLIC SAFETY COMPLEX  
964 WINDY RIDGE ROAD  
BLUE RIDGE, GA 30513

TITLE: PROJECT:

ISSUE:	REVISIONS:



DRAWN BY: DATE:

K.W. 4.19.2017

PROJECT NO. SHEET NO.:

1517 A-8.1