



**DESIGN WORKS**

FANNIN COUNTY:  
722 Black Dog Trail  
P.O. Box 639  
Blue Ridge, GA 30513  
Phone 706.374.4304

COBB COUNTY:  
1480 Shiloh Road NW  
Suite #300  
Kennesaw, GA 30144  
Phone 770.790.3655  
Fax 770.790.3650

INTERIOR ELEVATIONS

FANNIN CO. PUBLIC SAFETY COMPLEX  
964 WINDY RIDGE ROAD  
BLUE RIDGE, GA 30513

TITLE:

PROJECT:

ISSUE:

REVISIONS:

SEAL



DRAWN BY:

DATE:

K.W.

4.19.2017

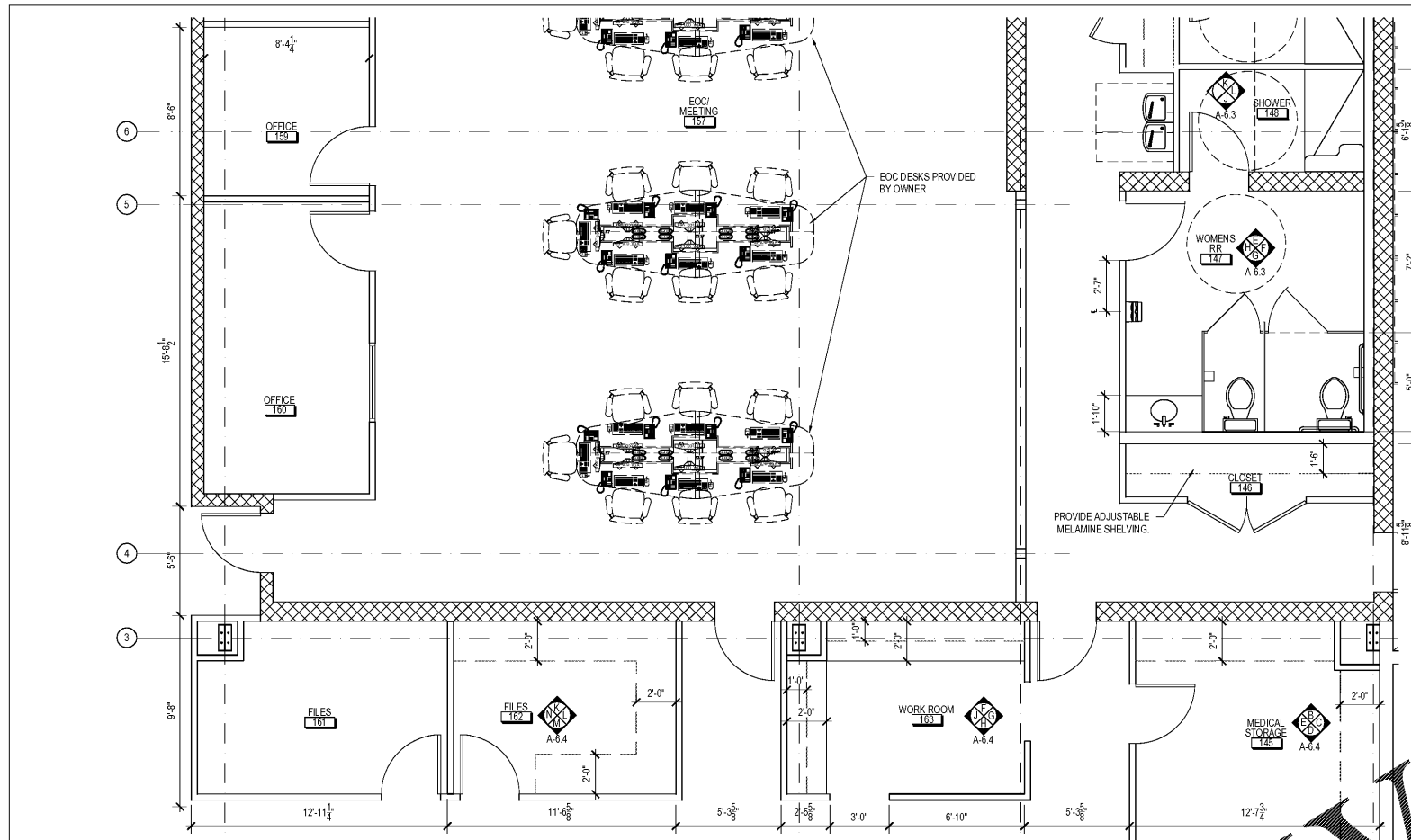
PROJECT NO:

SHEET NO.:

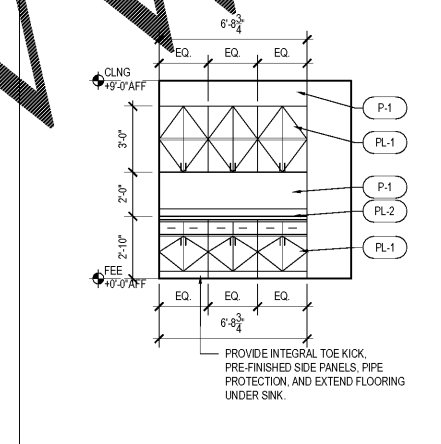
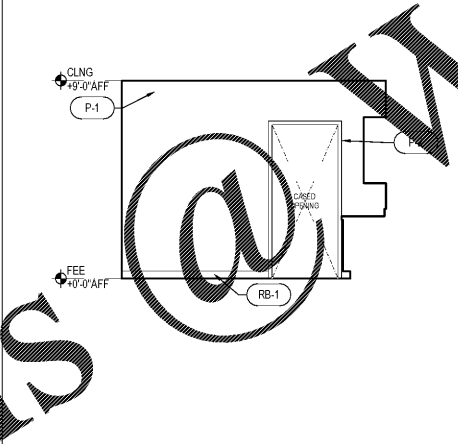
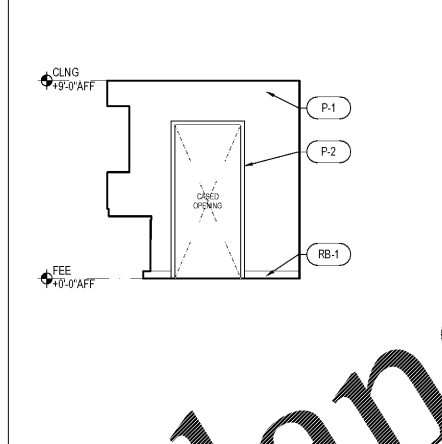
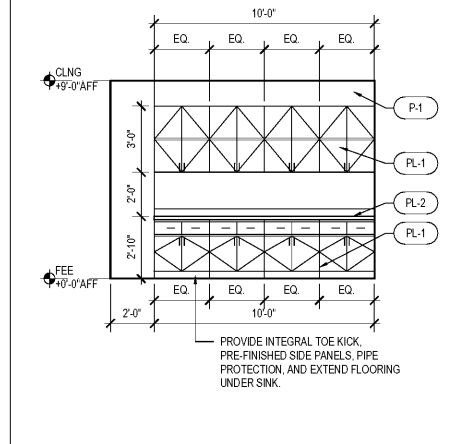
1517

A-6.4

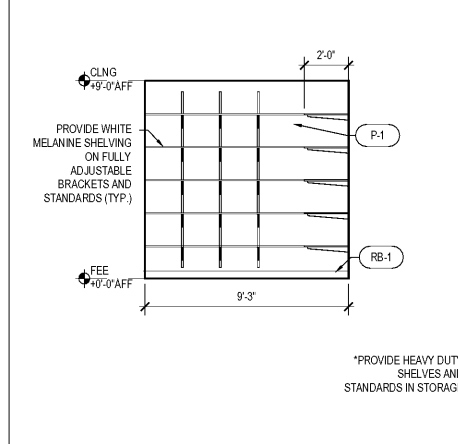
Copyright © 2017  
R Design Works



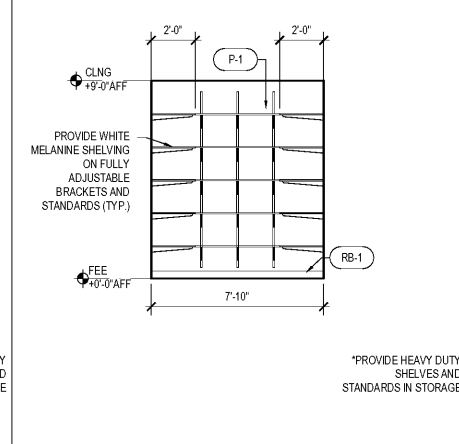
A 1/4" = 1'-0" STORAGE ELEVATION



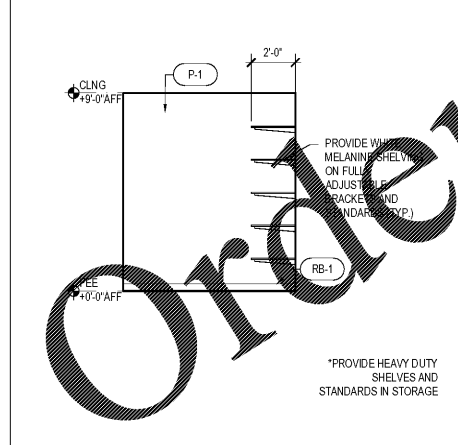
B 1/4" = 1'-0" MEDICAL STORAGE ELEV.



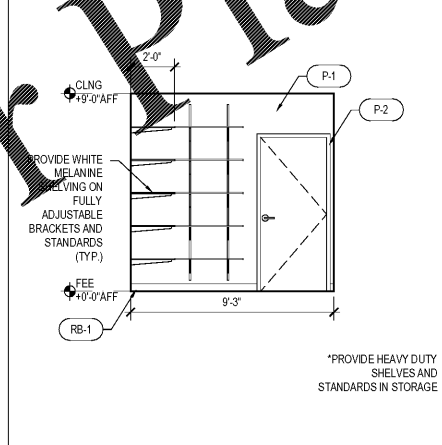
C 1/4" = 1'-0" MEDICAL STORAGE ELEV.



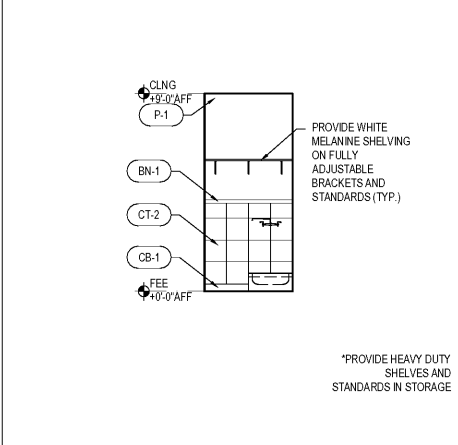
F 1/4" = 1'-0" WORK ROOM ELEV.



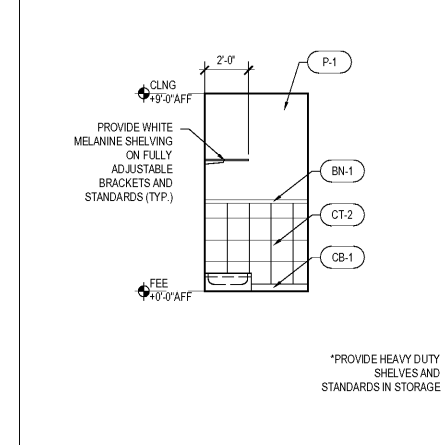
G 1/4" = 1'-0" WORK ROOM ELEV.



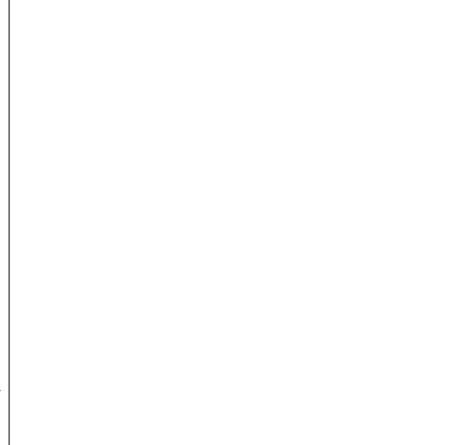
H 1/4" = 1'-0" WORK ROOM ELEV.



J 1/4" = 1'-0" WORK ROOM ELEV.



K 1/4" = 1'-0" FILES 162 ELEVATION



L 1/4" = 1'-0" FILES 162 ELEVATION



M 1/4" = 1'-0" FILES 162 ELEVATION



N 1/4" = 1'-0" FILES 162 ELEVATION



P 1/4" = 1'-0" JANITOR'S CLOSET ELEV.



Q 1/4" = 1'-0" JANITOR'S CLOSET ELEV.



Order Plans @ WWW.WWW