



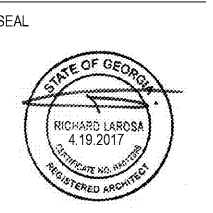
DESIGN WORKS

FANNIN COUNTY:
722 Black Dog Trail
P.O. Box 639
Blue Ridge, GA 30513
Phone 706.374.4304

COBB COUNTY:
1480 Shiloh Road NW
Suite #300
Kennesaw, GA 30144
Phone 770.790.3655
Fax 770.790.3650

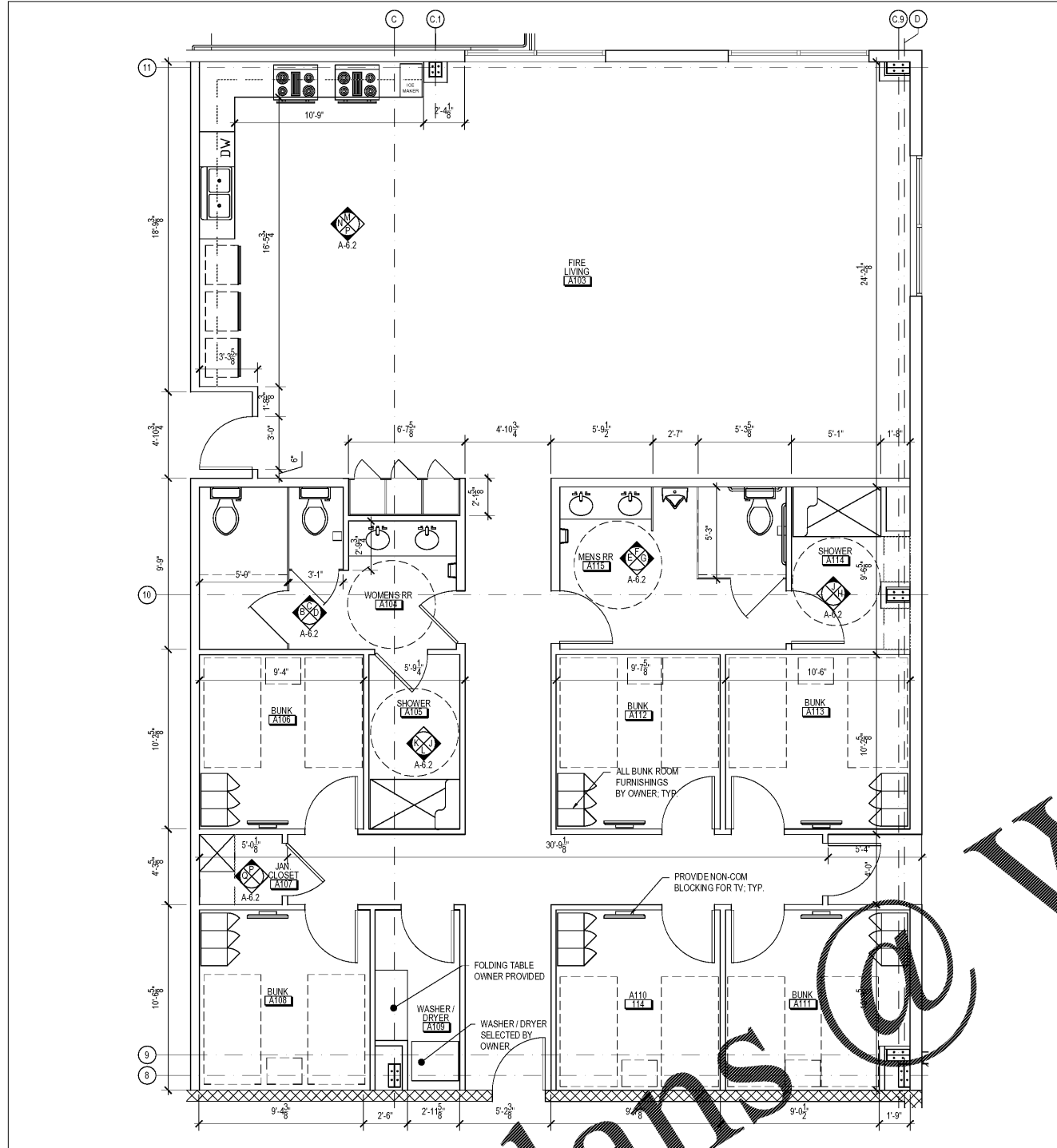
INTERIOR ELEVATIONS
PROJECT:
FANNIN CO. PUBLIC SAFETY COMPLEX
964 WINDY RIDGE ROAD
BLUE RIDGE, GA 30513

TITLE:	ISSUE:	REVISIONS:

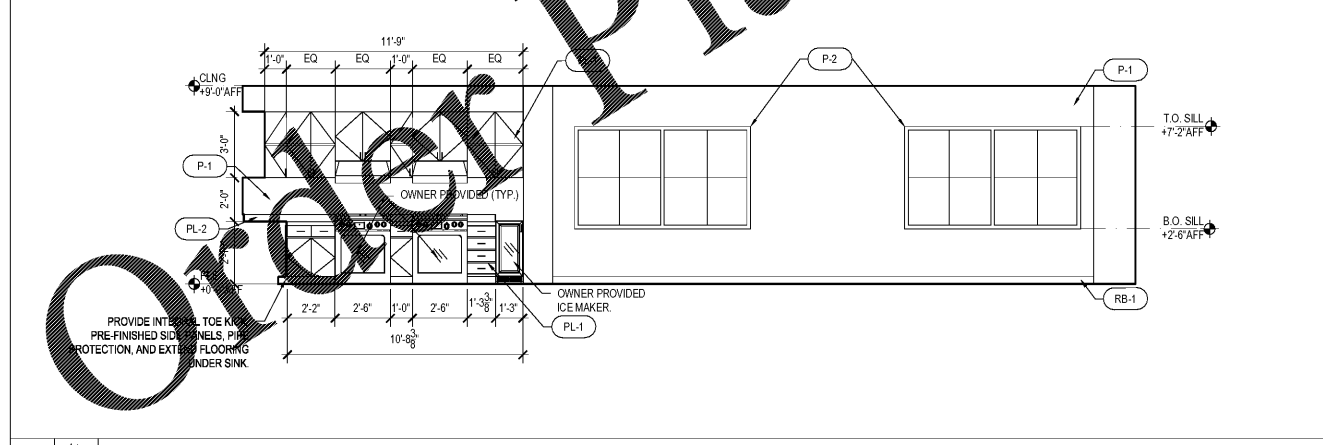


DRAWN BY:	DATE:
K.W.	4.19.2017
PROJECT NO.:	SHEET NO.:
1517	A-6.2

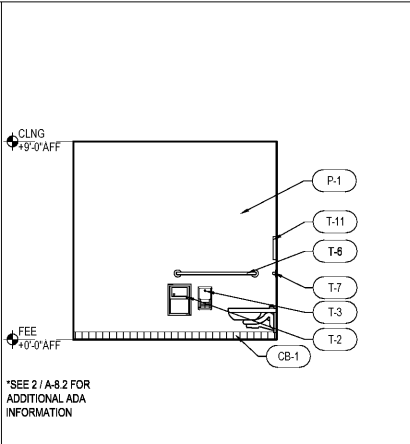
Copyright © 2017
R Design Works



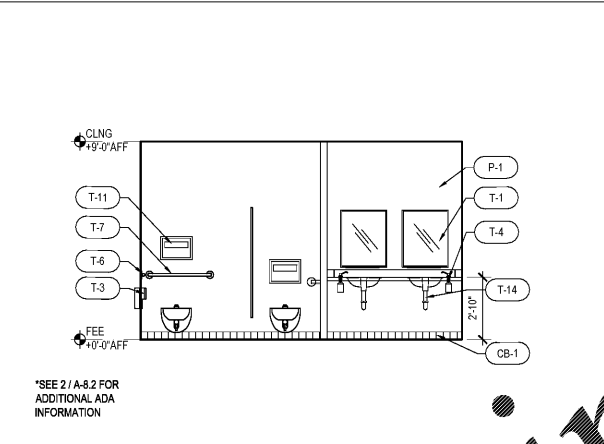
A 1/4" = 1'-0" ENLARGED FLOOR PLAN



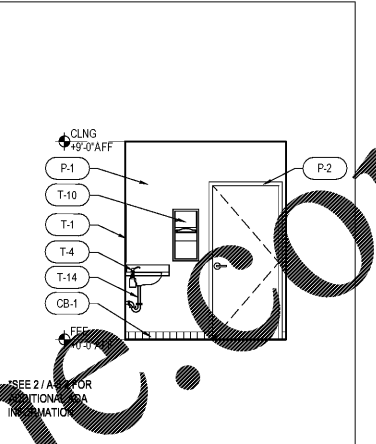
M 1/4" = 1'-0" FIRE LIVING ELEVATION



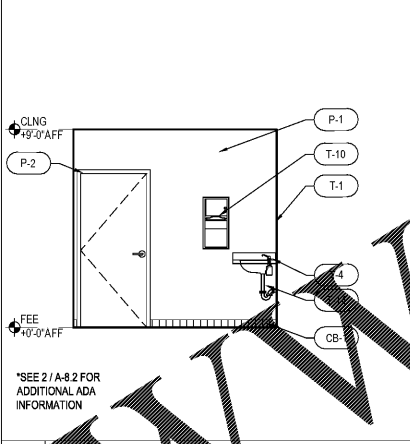
B 1/4" = 1'-0" WOMEN'S RR ELEV.



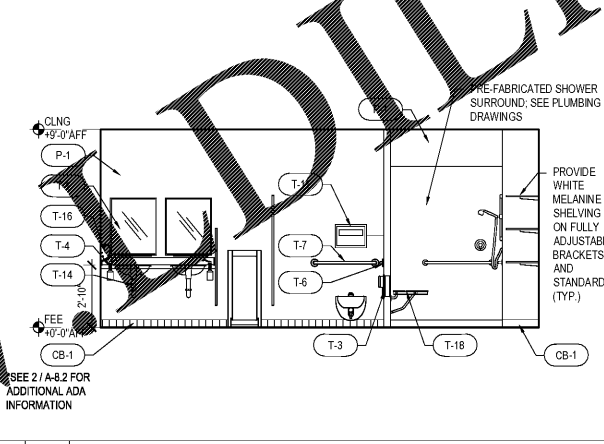
C 1/4" = 1'-0" WOMEN'S RR ELEVATION



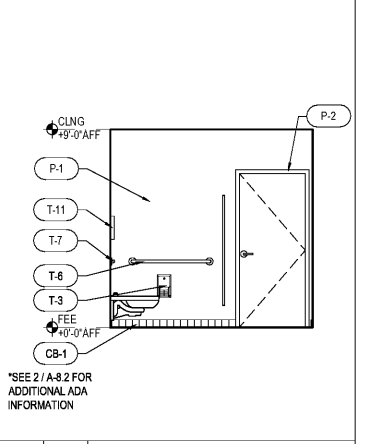
D 1/4" = 1'-0" WOMEN'S RR ELEV.



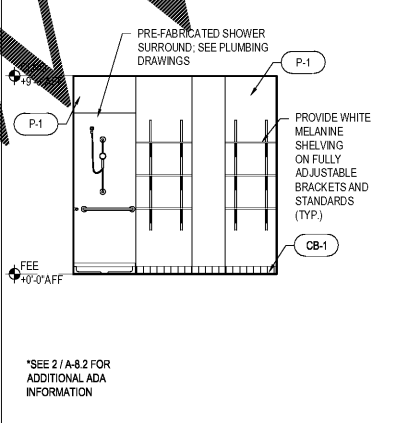
E 1/4" = 1'-0" WOMEN'S RR ELEVATION



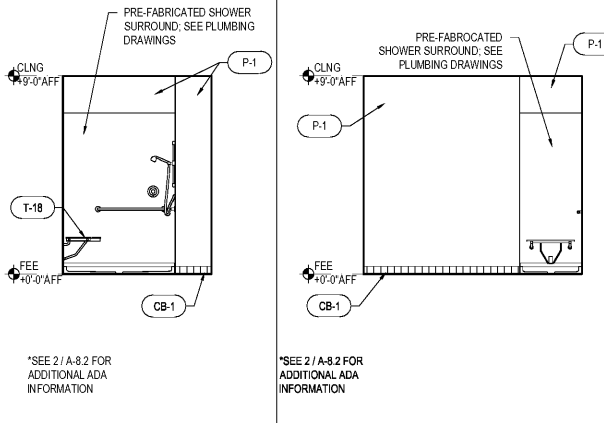
F 1/4" = 1'-0" MEN'S RESTROOM ELEVATION



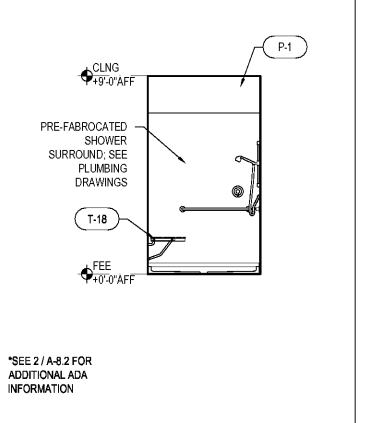
G 1/4" = 1'-0" MEN'S RR ELEV.



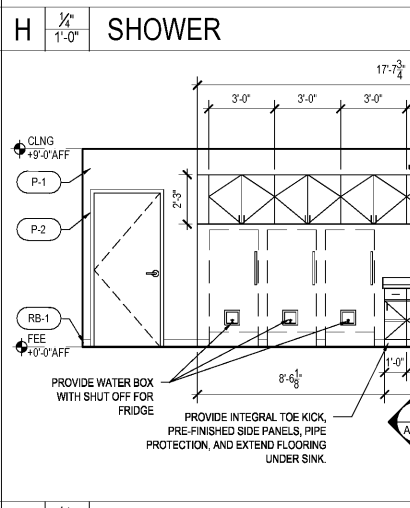
H 1/4" = 1'-0" SHOWER



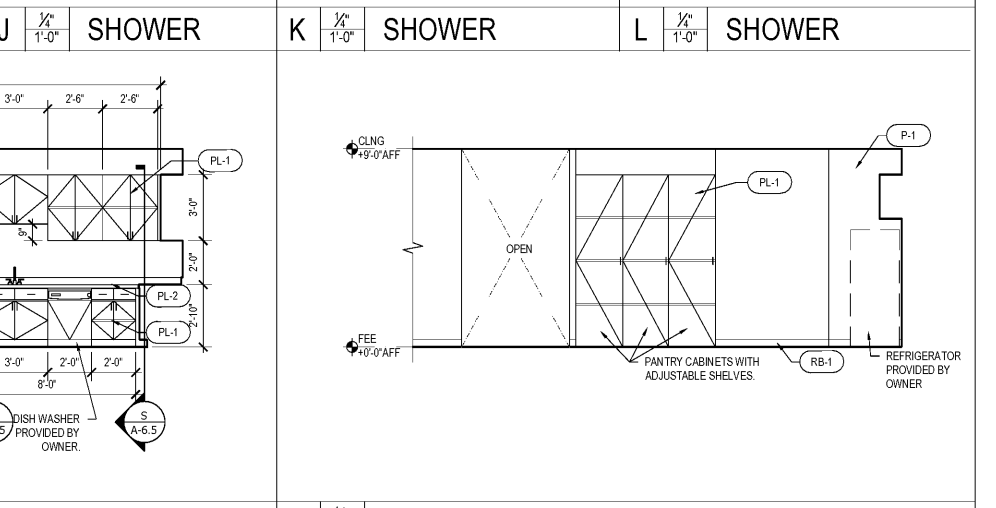
J 1/4" = 1'-0" SHOWER



K 1/4" = 1'-0" SHOWER



N 1/4" = 1'-0" FIRE LIVING ELEVATION



P 1/4" = 1'-0" FIRE LIVING ELEVATION