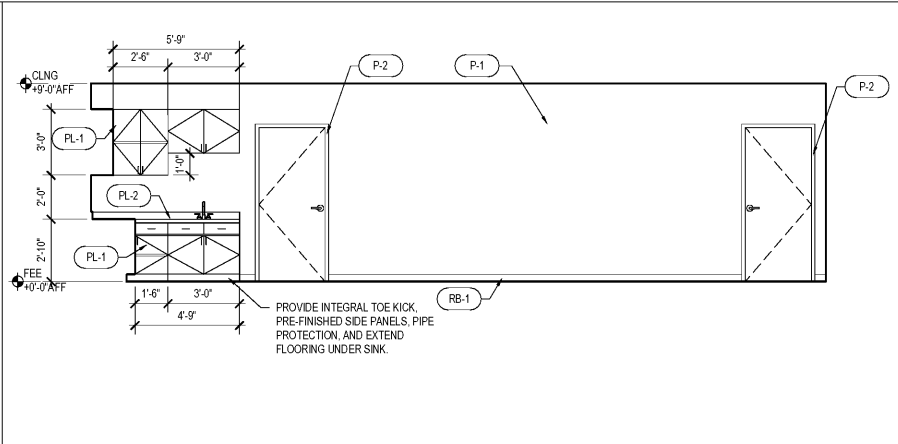
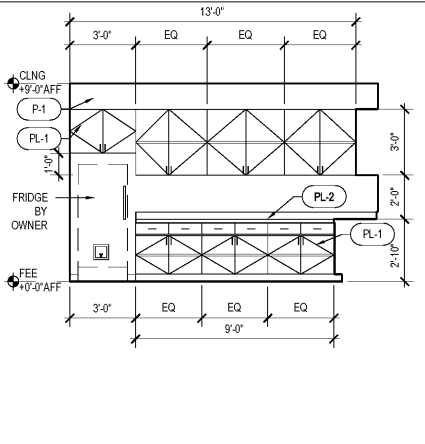


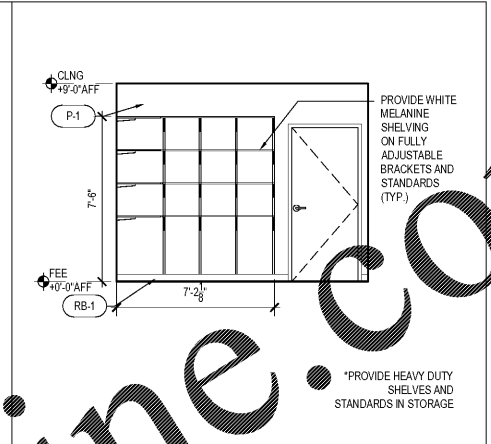
A 1/4" 1'-0" ENLARGED FLOOR PLAN



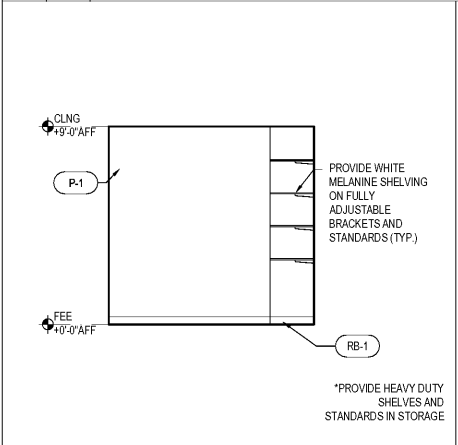
B 1/4" 1'-0" TRAINING ROOM ELEVATION



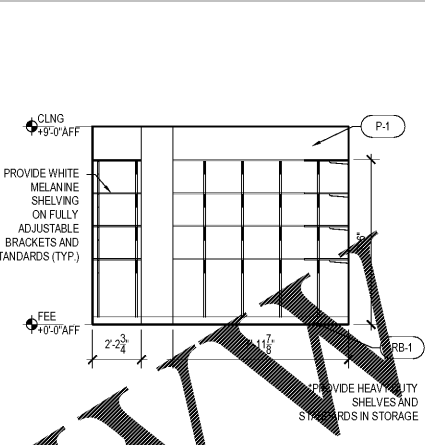
C 1/4" 1'-0" TRAINING ROOM ELEV.



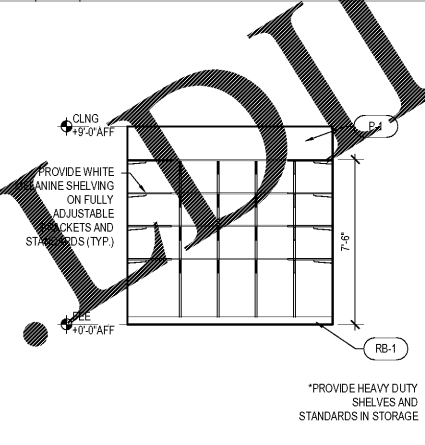
D 1/4" 1'-0" STORAGE ROOM ELEV.



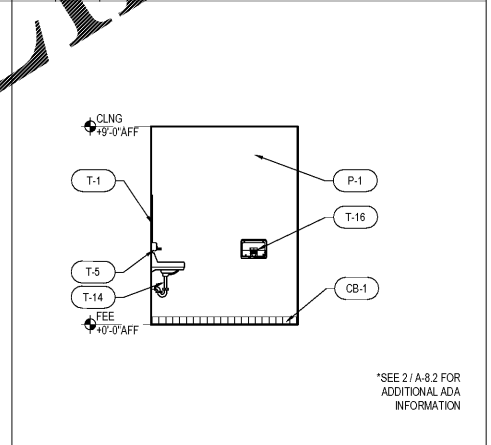
E 1/4" 1'-0" STORAGE ELEVATION



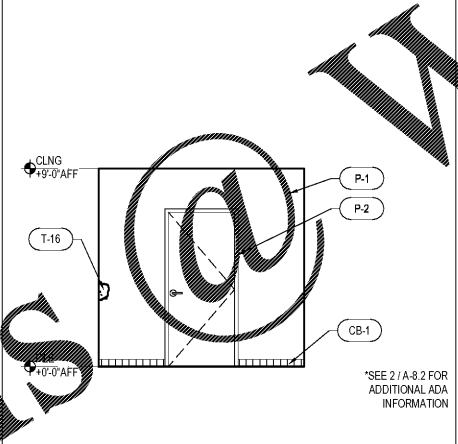
F 1/4" 1'-0" STORAGE ELEVATION



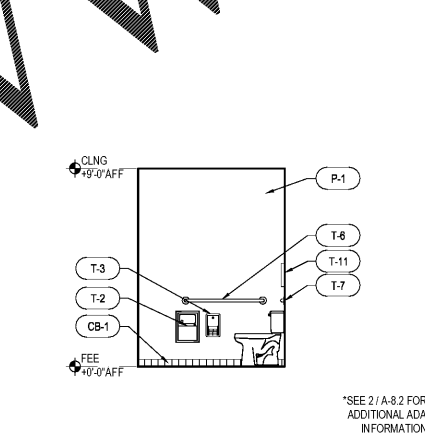
G 1/4" 1'-0" STORAGE ELEVATION



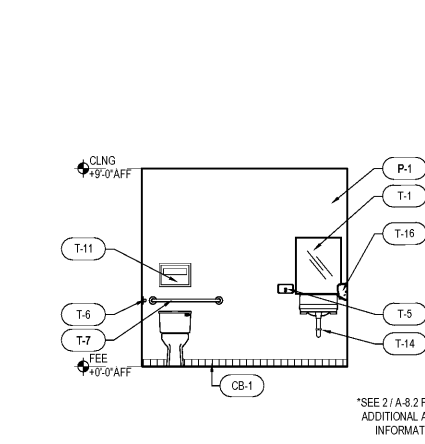
H 1/4" 1'-0" ADA RESTROOM ELEV.



J 1/4" 1'-0" ADA RESTROOM ELEV.



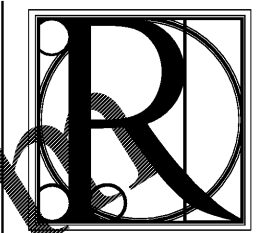
K 1/4" 1'-0" ADA RESTROOM ELEV.



L 1/4" 1'-0" ADA RESTROOM ELEV.

Toilet Accessories Schedule	
NAME	TYPE
T-1	MIRROR, SERIES B-290 (24" x 30")
T-2	RECESSED SANITARY NAPKIN DISPOSAL, SERIES B-353
T-3	RECESSED MULTI-ROLL TOILET TISSUE DISPENSER, SERIES B-3988
T-4	LAVATORY MOUNTED SOAP DISPENSER, SERIES B-8221
T-5	SURFACE MOUNTED SOAP DISPENSER, SERIES B-2112
T-6	38" STAINLESS STEEL GRAB BAR, SERIES B-5806 X 36 (1-1/4" Ø)
T-7	42" STAINLESS STEEL GRAB BAR, SERIES B-5806 X 42 (1-1/4" Ø)
T-8	PARTITION MOUNTED DUAL SIDED MULTI-ROLL TISSUE DISPENSER, MODEL B-386
T-9	PARTITION MOUNTED SANITARY NAPKIN DISPOSAL, SERIES B-4354
T-10	RECESSED PAPER TOWEL DISPENSER & WASTE RECEPTACLE, MODEL B-369
T-11	RECESSED TOILET SEAT COVER DISPENSER, MODEL B-301
T-12	DOUBLE ROLL TOILET TISSUE DISPENSER, MODEL B-274
T-13	COAT HOOK W BUMPER, MODEL B-212
T-14	UNDER LAVATORY PIPE INSULATION: TRUEBRO MANUFACTURING CO. TRUEBRO LAV GUARD 2 UNDERSINK PIPING COVERS @ EACH HANDICAP LAVATORY
T-15	SURFACE MOUNTED STAINLESS STEEL MOP & BROOM HOLDER, MODEL B-223
T-16	ADA SURFACE MOUNTED HAND DRYER, MODEL B-7128
T-17	MIRROR, SERIES B-290 (24" x 72")
T-18	CHANGING BENCH, MODEL B-5192
T-19	HAND DRYER, BASIS OF DESIGN DYSON AIRBLADE V, AB12

NOTES:
 1 CONTRACTOR FIELD VERIFY MOUNTING REQUIREMENTS ADD THRU-WALL BLOCKING AS REQUIRED.
 2 SUBMIT TOILET PARTITION COLORS TO OWNER/ARCHITECT FOR SELECTION.
 3 REFER TO A-8.2 FOR ADA DIMENSIONS AND DETAILS



DESIGN WORKS

FANNIN COUNTY:
 722 Black Dog Trail
 P.O. Box 639
 Blue Ridge, GA 30513
 Phone 706.374.4304

COBB COUNTY:
 1480 Shiloh Road NW
 Suite #300
 Kennesaw, GA 30144
 Phone 770.790.3655
 Fax 770.790.3650

INTERIOR ELEVATIONS

FANNIN CO. PUBLIC SAFETY COMPLEX
 964 WINDY RIDGE ROAD
 BLUE RIDGE, GA 30513

TITLE:

PROJECT:

ISSUE:

REVISIONS:

SEAL



DRAWN BY:

DATE:

K.W.

4.19.2017

PROJECT NO.:

SHEET NO.:

1517

A-6.1

Copyright © 2017
 R Design Works

Order Plans @ WWW.WINDYRIDGEPLANS.COM