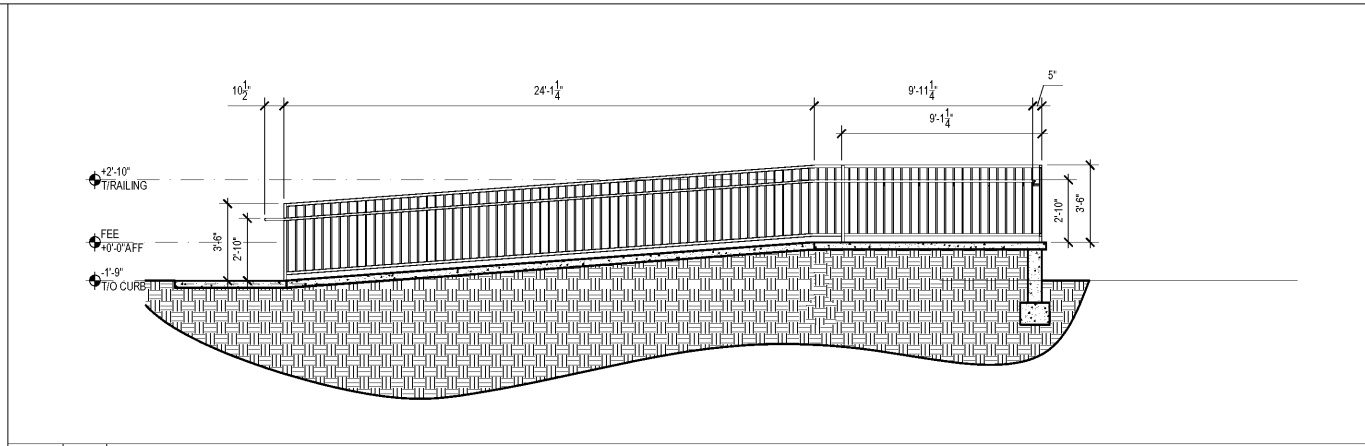
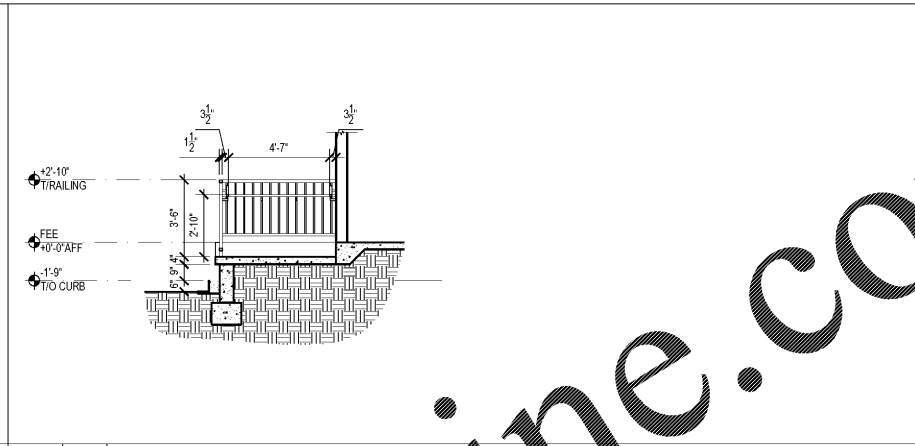


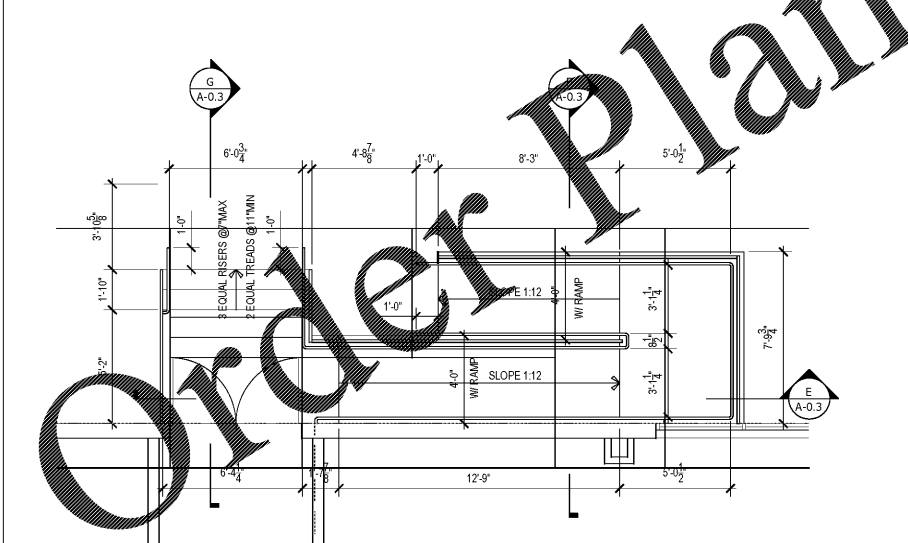
A 1/4" / 1'-0" ENLARGED RAMP PLAN



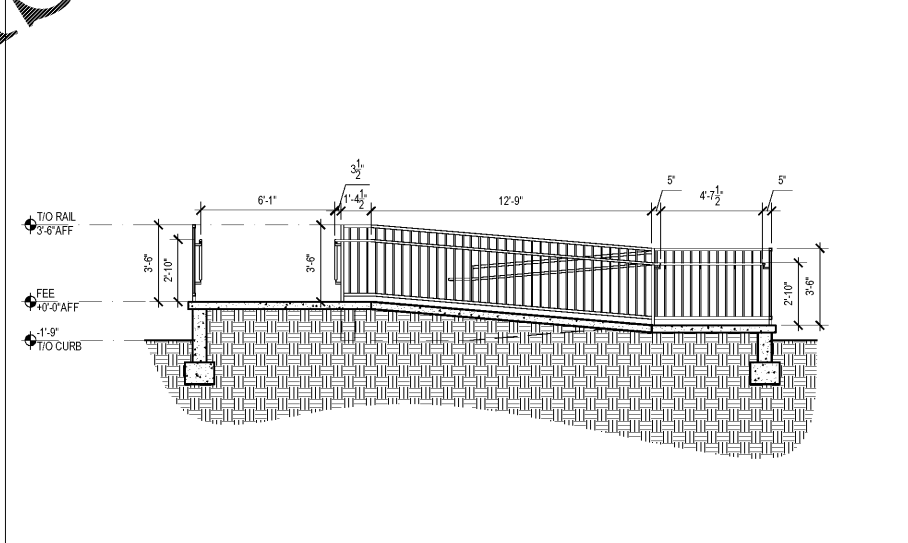
B 1/4" / 1'-0" RAMP SECTION



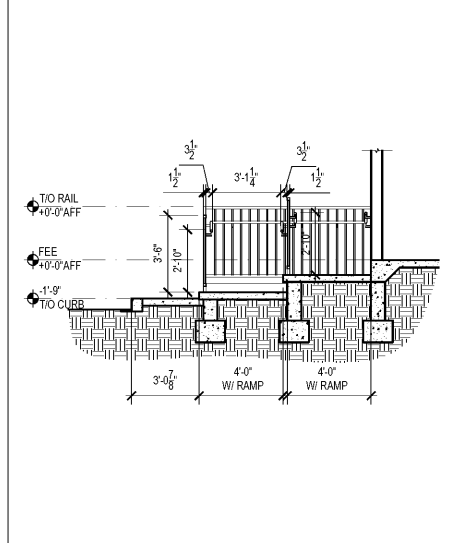
C 1/4" / 1'-0" RAMP SECTION



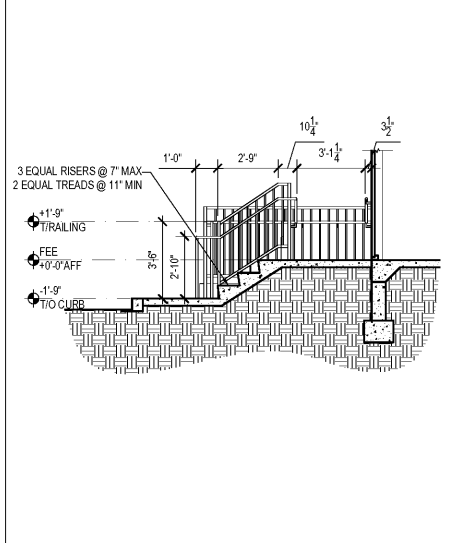
D 1/4" / 1'-0" ENLARGED RAMP PLAN



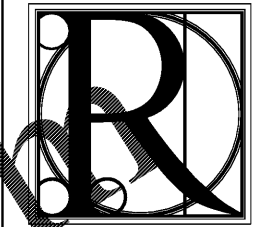
E 1/4" / 1'-0" RAMP ELEVATION



F 1/4" / 1'-0" RAMP SECTION



G 1/4" / 1'-0" RAMP SECTION



DESIGN WORKS

FANNIN COUNTY:
722 Black Dog Trail
P.O. Box 639
Blue Ridge, GA 30513
Phone 706.374.4304

COBB COUNTY:
1480 Shiloh Road NW
Suite #300
Kennesaw, GA 30144
Phone 770.790.3655
Fax 770.790.3650

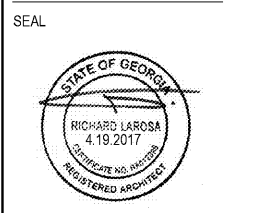
ENLARGED RAMP PLANS

FANNIN CO. PUBLIC SAFETY COMPLEX
964 WINDY RIDGE ROAD
BLUE RIDGE, GA 30513

TITLE: ENLARGED RAMP PLANS

PROJECT: FANNIN CO. PUBLIC SAFETY COMPLEX

ISSUE:	REVISIONS:



DRAWN BY:	DATE:
T.T.	4.19.2017
PROJECT NO.:	SHEET NO.:
1517	A-0.3