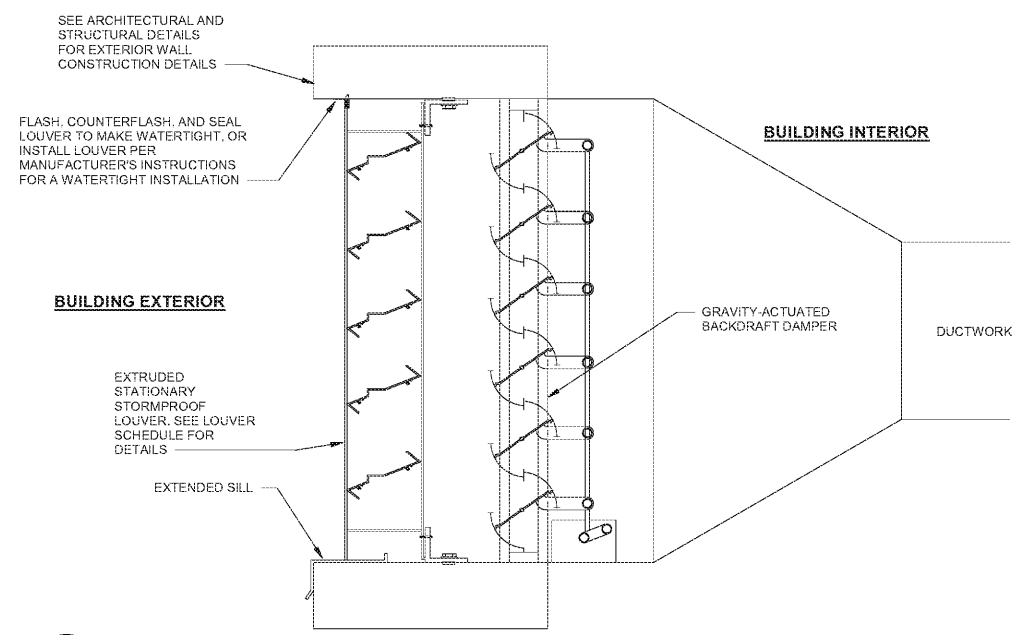
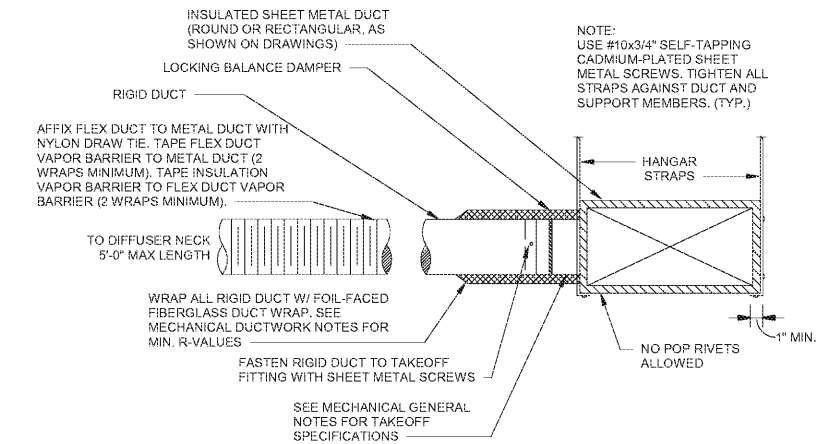


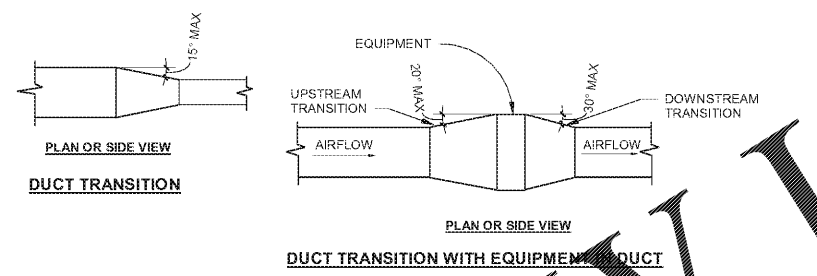
REV.	DATE	DESCRIPTION
A	2017-11-03	10% CONCEPT DESIGN
B	2017-12-22	30% SUBMITTAL
C	2018-02-23	50% SUBMITTAL
D	2018-04-13	FOR CONSTRUCTION
1	2018-06-01	FOR CONSTRUCTION



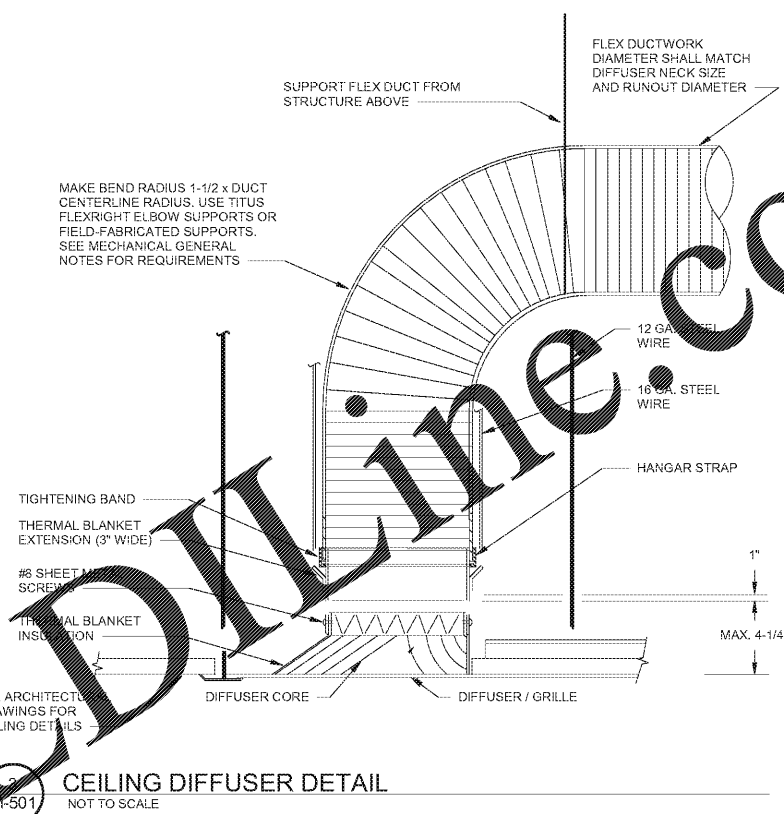
1 AIR LOUVER & DAMPER DETAIL
NOT TO SCALE



2 TYPICAL FLEX DUCT CONNECTION DETAIL
NOT TO SCALE

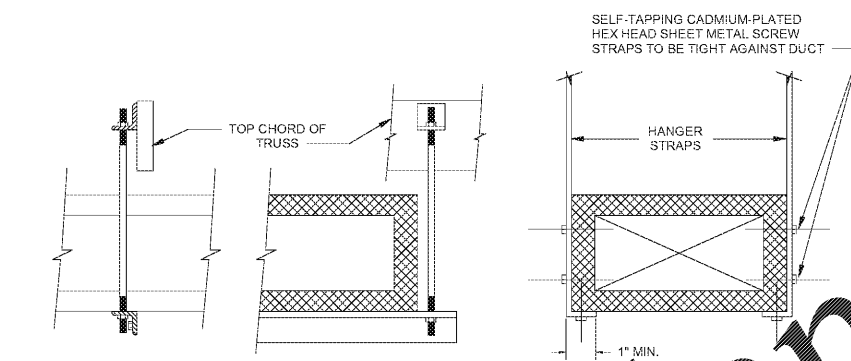


5 DUCT TRANSITION DETAIL
NOT TO SCALE

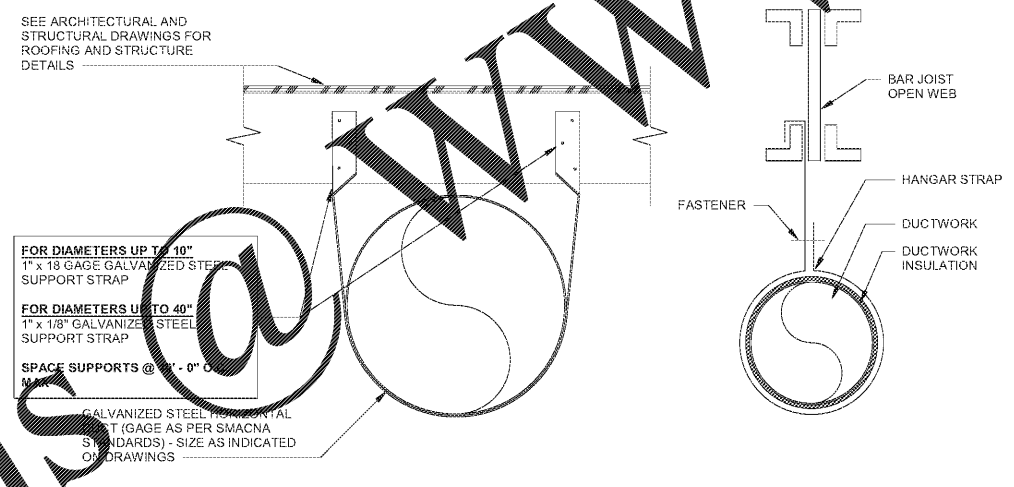


3 CEILING DIFFUSER DETAIL
NOT TO SCALE

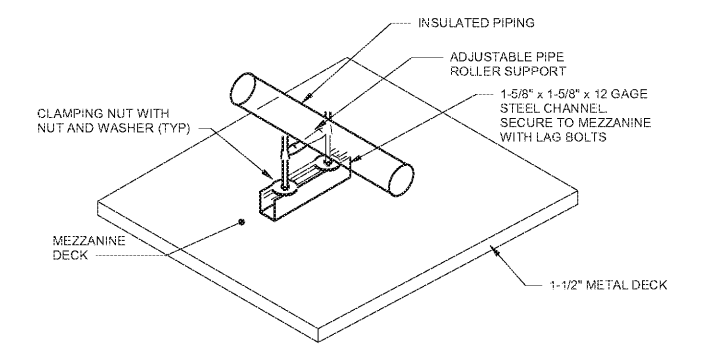
HANGER SIZES FOR RECTANGULAR DUCT			
MAX SIDE	HANGER	HORIZONTAL SUPPORT ANGLE	MAXIMUM SPACING
30"	1" x 18" GAGE STRAP	NONE REQUIRED	10' - 0"
36"	1/4" ROUND ROD	1-1/2" x 1-1/2" x 1/8"	8' - 0"
48"	1/4" ROUND ROD	2" x 2" x 1/8"	8' - 0"
60"	5/16" ROUND ROD	2" x 2" x 1/8"	8' - 0"
84"	3/8" ROUND ROD	2" x 2" x 1/8"	8' - 0"



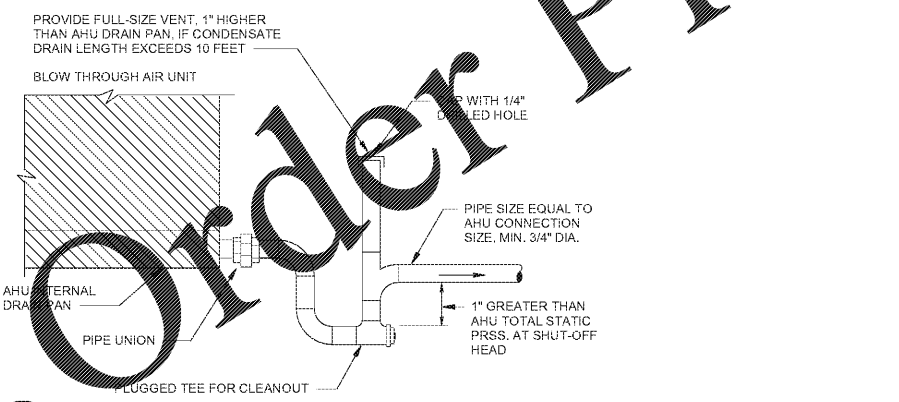
4 DUCT STRAP HANGER DETAIL
NOT TO SCALE



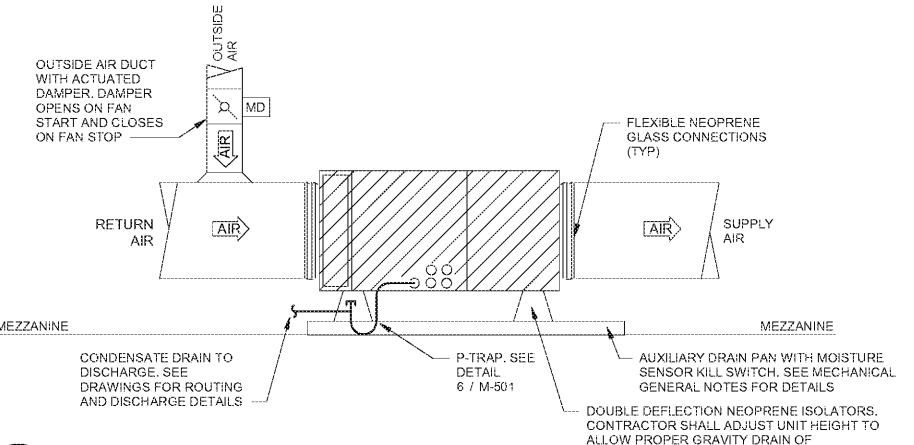
5 DUCT TRANSITION WITH EQUIPMENT DETAIL
NOT TO SCALE



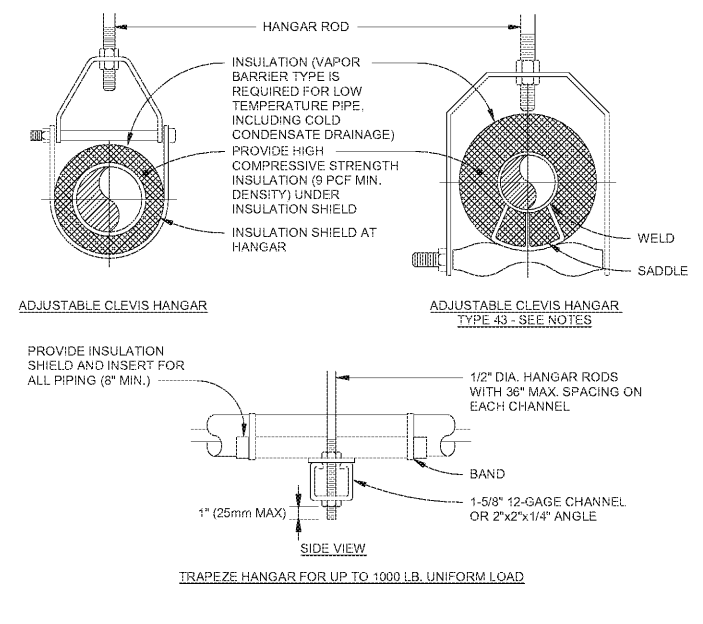
9 DECK-MOUNTED PIPING SUPPORT DETAIL
NOT TO SCALE



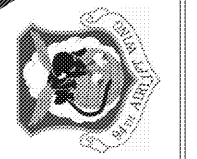
6 AUX. CONDENSATE DRAIN DETAIL
NOT TO SCALE



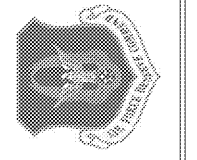
7 HORIZ. FAN COIL UNIT DETAIL
NOT TO SCALE



8 TYPICAL MECH. SINGLE PIPE HANGER DETAIL
NOT TO SCALE



CIVIL ENGINEERING
94th AIRLIFT WING
DOBBINS AIR RESERVE BASE, GEORGIA



CROFT
Croft & Associates
3400 Blue Springs Road,
Suite 200
Kennesaw, GA 30144
770.529.7741 (p)
770.529.7741 (f)
www.croft.com

2018-06-01

REPAIR FACILITY & ADDITION
BUILDING 747
FGWB 08-0027
DOBBINS AIR RESERVE BASE, GEORGIA
MECHANICAL DETAILS

PROJECT	LOCATION	DRAWING	CONTACT
PROJECT No:	2017-238		
PROJ. OFFICER:	J. MORGAN		
DESIGNED:	A. BENWAY		
CHECKED:	M. JOHNSON		
DATE:	2018-02-23		
DRAWING:	39 OF 45		

M-501