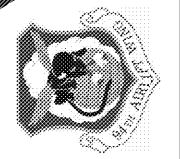


ALL DUCTWORK SHALL BE SUPPORTED FROM STRUCTURE, AND SHALL CONFORM TO THE ASSEMBLIES, MATERIALS, AND SPACING REQUIRED IN SMACNA HVAC DUCT CONSTRUCTION STANDARDS, METAL & FLEXIBLE - 2005 EDITION. SEE DETAIL 4 / M-501

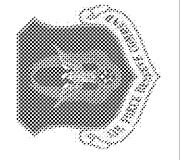
| CONSTRUCTION DOCS. |            |                    |
|--------------------|------------|--------------------|
| REV.               | DATE       | DESCRIPTION        |
| A                  | 2017-11-03 | 10% CONCEPT DESIGN |
| B                  | 2017-12-22 | 30% SUBMITTAL      |
| C                  | 2018-02-23 | 60% SUBMITTAL      |
| D                  | 2018-04-12 | FOR CONSTRUCTION   |
| 1                  | 2018-06-01 | FOR CONSTRUCTION   |

- GENERAL NOTES:**
- THESE DRAWINGS ARE SCHEMATIC, AND ARE NOT REPRESENTATIVE OF ALL POTENTIAL CONDITIONS. COORDINATE WITH ALL OTHER DISCIPLINES TO ENSURE PROPER INSTALLATION OF ALL SYSTEMS AND EQUIPMENT. MAINTAIN A VALID LICENSE TO PERFORM MECHANICAL WORK IN THE STATE OF GEORGIA.
  - REFER TO ARCHITECTURAL CEILING PLAN FOR EXACT LOCATION OF ALL CEILING-MOUNTED EQUIPMENT AND AIR DISTRIBUTION DEVICES. COORDINATE VOLTAGE AND PHASE OF EACH PIECE OF EQUIPMENT WITH THE ELECTRICAL CONTRACTOR PRIOR TO PURCHASE.
  - MAINTAIN MINIMUM 10'-0" DISTANCE BETWEEN ALL EXHAUST / VENT OUTLETS AND OUTSIDE AIR INTAKE TERMINALS WITH PLUMBING AND ROOFING CONTRACTORS PRIOR TO INSTALLATION.
  - REFER TO MANUFACTURER'S INSTALLATION CLEARANCE REQUIREMENTS FOR ALL EQUIPMENT. CONTRACTOR SHALL COORDINATE REQUIRED CLEARANCES WITH ALL TRADES PRIOR TO BEGINNING WORK.

- KEY NOTES:**
- PROVIDE UNISTRUT PIPING HANGAR SUPPORT WITH PIPING PROTECTORS AS SHOWN (TYP.) SEE PIPING HANGAR SUPPORT DETAIL.
  - CEILING MOUNTED PIPING SUPPORT FOR PIPING ON ROOF DECK AS SHOWN. SEE DECK-MOUNTED PIPING SUPPORT DETAIL.
  - CEILING OPENING ONE PIPE SIZE LARGER THAN THE REFRIGERANT PIPING OR CONDENSATE PIPING. CAULK WITH SILICONE AND PROVIDE ESCUTCHEON ON BOTH SIDES OF THE WALL FINISH.
  - DUCT DOWN THROUGH ROOF DECK.



CIVIL ENGINEERING  
94th AIRLIFT WING  
DOBBINS AIR RESERVE BASE, GEORGIA



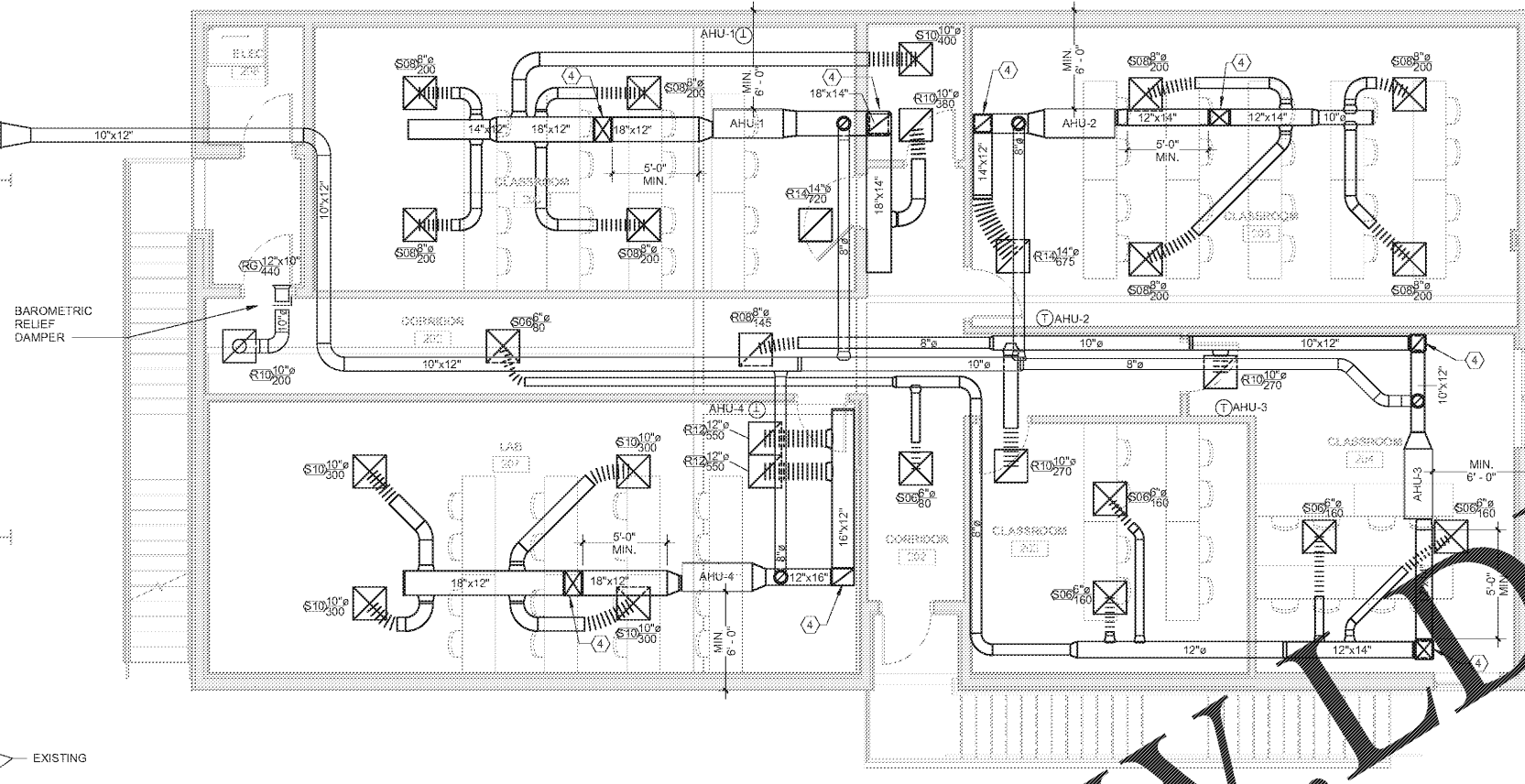
CROFT  
CROFT & ASSOCIATES  
3400 Blue Springs Road,  
Suite 200  
Kennesaw, GA 30144  
770.529.7744  
770.539.7768  
www.croft.com



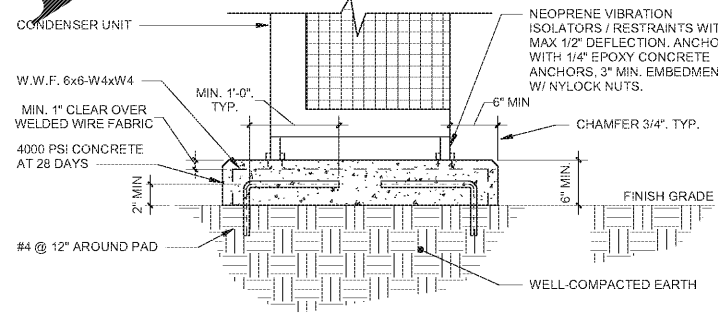
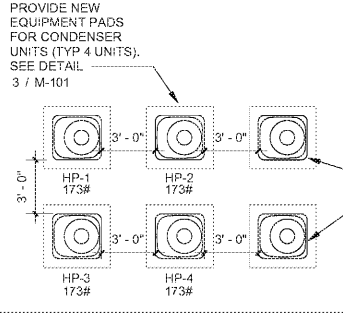
REPAIR FACILITY & ADDITION  
BUILDING 747  
FGWB 08-0027  
DOBBINS AIR RESERVE BASE, GEORGIA  
MECHANICAL PLAN - SECOND FLOOR

| PROJECT       | LOCATION   | DRAWING | CONTACT |
|---------------|------------|---------|---------|
| PROJECT No.   | 2017-238   |         |         |
| PROJ. OFFICER | J. MORGAN  |         |         |
| DESIGNED      | A. BENWAY  |         |         |
| CHECKED       | M. JOHNSON |         |         |
| DATE          | 2018-02-23 |         |         |
| DRAWING       | 38         | OF      | 45      |

**M-101**

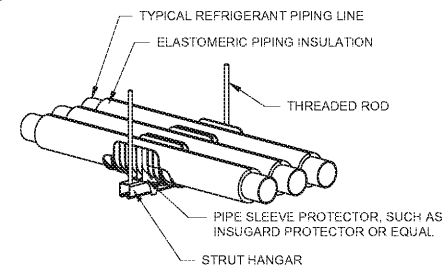


**1 MECHANICAL PLAN - SECOND FLOOR - DUCTWORK**  
3/16" = 1'-0"  
0 5 10 FT

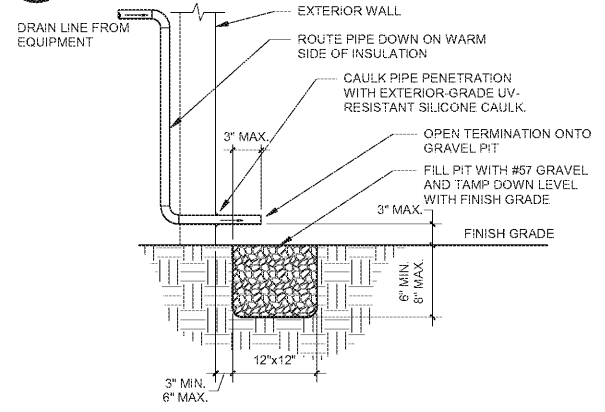


- NOTES:**
- CONCRETE PAD REINFORCING SHALL MEET ALL APPLICABLE ACI STANDARDS FOR MINIMUM AREA AND CONCRETE COVERAGE.
  - HIGH CONCENTRATED LOADS OR POINT-SUPPORTED EQUIPMENT REQUIRE SPECIAL CONSIDERATIONS NOT PROVIDED BY THIS DETAIL.

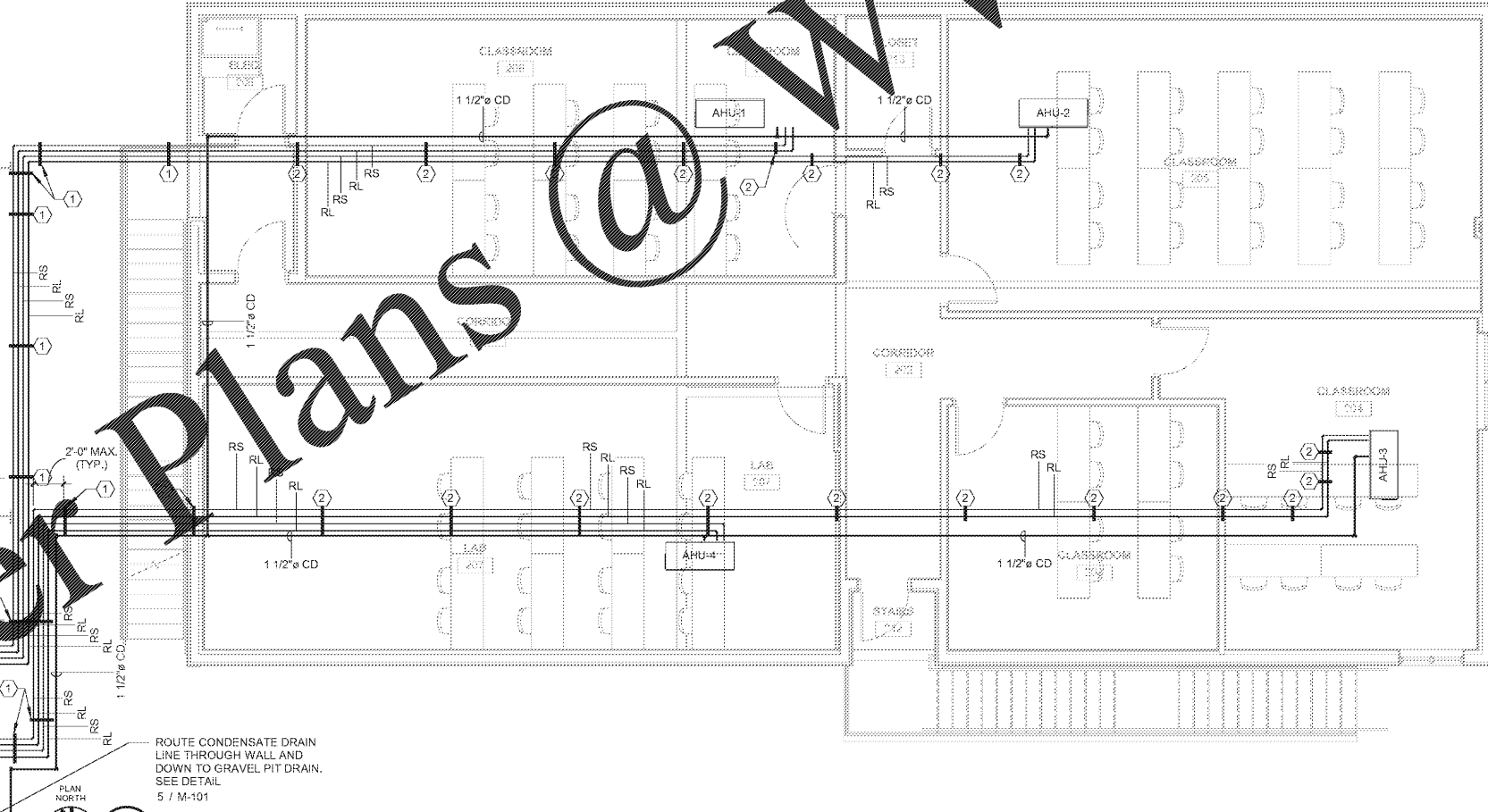
**3 LIGHT EQUIPMENT PAD DETAIL**  
NOT TO SCALE



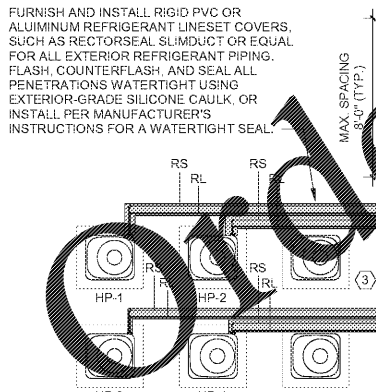
**4 PIPING SUPPORT HANGAR DETAIL**  
NOT TO SCALE



**5 CONDENSATE DRAIN TERMINATION**  
NOT TO SCALE



**2 MECHANICAL PLAN - SECOND FLOOR - PIPING**  
3/16" = 1'-0"  
0 5 10 FT



FURNISH AND INSTALL RIGID PVC OR ALUMINUM REFRIGERANT LINESET COVERS, SUCH AS RECTORSEAL SLIMDUCT OR EQUAL FOR ALL EXTERIOR REFRIGERANT PIPING. FLASH, COUNTERFLASH, AND SEAL ALL PENETRATIONS WATERTIGHT USING EXTERIOR-GRADE SILICONE CAULK, OR INSTALL PER MANUFACTURER'S INSTRUCTIONS FOR A WATERTIGHT SEAL.

ROUTE CONDENSATE DRAIN LINE THROUGH WALL AND DOWN TO GRAVEL PIT DRAIN. SEE DETAIL 5 / M-101

Order Plans @ WWW.LDLine.com