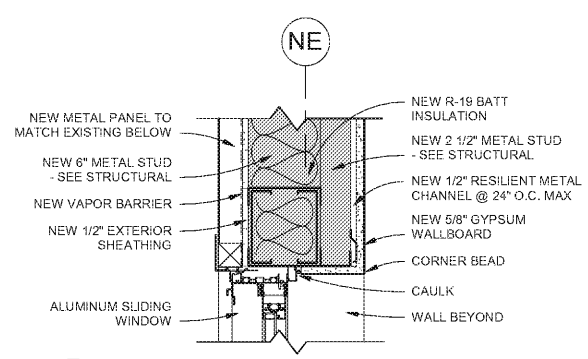


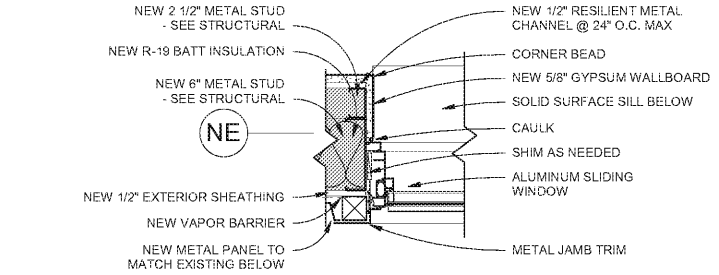
2 WINDOW ELEVATIONS
A-601
1/4" = 1'-0"

3 DOOR FRAME TYPES
A-601
1/4" = 1'-0"

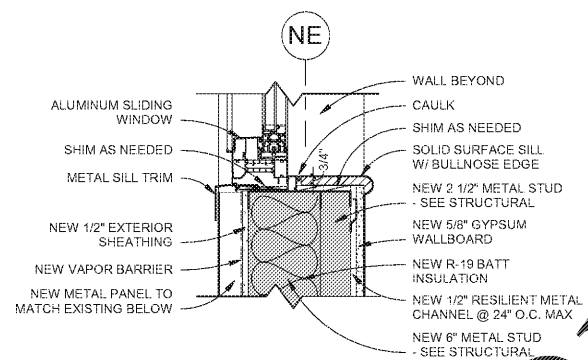
4 DOOR PANEL TYPES
A-601
1/4" = 1'-0"



6 WINDOW HEAD DETAIL
A-601
1 1/2" = 1'-0"



7 WINDOW JAMB DETAIL
A-601
1 1/2" = 1'-0"

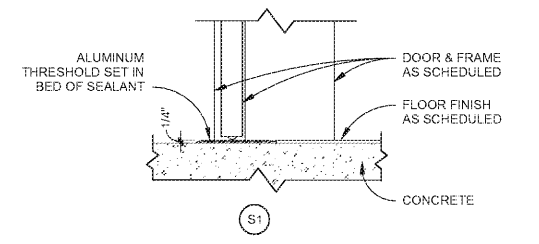


8 WINDOW SILL DETAIL
A-601
1 1/2" = 1'-0"

MARK	LENGTH	HEIGHT	STC	BASIS OF DESIGN (OR EQUAL)	GLAZING REMARKS
A	3'-0"	4'-0"	35	KAWNEER AA 5450 HORIZONTAL SLIDING	DOUBLE GLAZED
B	3'-0"	4'-0"	35	KAWNEER AA 5450 HORIZONTAL SLIDING	DOUBLE GLAZED

DOOR NUMBER	DOOR AND FRAME SCHEDULE														REMARKS	
	TYPE	# OF PANEL(S)	DOOR PANEL(S)				DOOR FRAME				GLAZING	FIRE RATING (MINUTES)	STC			
			SIZE	MATERIAL	FINISH	DETAIL #	MATERIAL	FINISH	HEAD	JAMB				SILL		
202A	N1	1	3'-0"	7'-0"	1 3/4"	HM	PAINT	HM1	HM	PAINT	H2	J2	S1	SAFETY	35	DOOR & FRAME PAINT COLORS TO MATCH EXISTING
202B	N1	1	3'-0"	7'-0"	1 3/4"	HM	PAINT	HM1	HM	PAINT	H2	J2	S1	SAFETY	35	DOOR & FRAME PAINT COLORS TO MATCH EXISTING
203	N1	1	3'-0"	7'-0"	1 3/4"	HM	PAINT	HM1	HM	PAINT	H1	J1		SAFETY	35	DOOR & FRAME PAINT COLORS TO MATCH EXISTING
204	N1	1	3'-0"	7'-0"	1 3/4"	HM	PAINT	HM1	HM	PAINT	H1	J1		SAFETY	35	DOOR & FRAME PAINT COLORS TO MATCH EXISTING
205	N1	1	3'-0"	7'-0"	1 3/4"	HM	PAINT	HM1	HM	PAINT	H1	J1		SAFETY	35	DOOR & FRAME PAINT COLORS TO MATCH EXISTING
206	N1	1	3'-0"	7'-0"	1 3/4"	HM	PAINT	HM1	HM	PAINT	H1	J1		SAFETY	35	DOOR & FRAME PAINT COLORS TO MATCH EXISTING
207	N1	1	3'-0"	7'-0"	1 3/4"	HM	PAINT	HM1	HM	PAINT	H1	J1		SAFETY	35	DOOR & FRAME PAINT COLORS TO MATCH EXISTING
208	F	1	3'-0"	7'-0"	1 3/4"	HM	PAINT	HM1	HM	PAINT	H2	J2	S1		35	DOOR & FRAME PAINT COLORS TO MATCH EXISTING
213	F	1	3'-0"	7'-0"	1 3/4"	HM	PAINT	HM1	HM	PAINT	H1	J1			35	DOOR & FRAME PAINT COLORS TO MATCH EXISTING

Grand total: 9



1 DOOR FRAME DETAILS
A-601
1 1/2" = 1'-0"

- GENERAL**
- ALL DOOR HARDWARE TO BE HANDICAP ACCESSIBLE.
 - PROTECTION PLATE: SEE SPECIFICATIONS FOR KICK PLATES, MOP PLATES, AND ARMOR PLATES. LOCATE PER HARDWARE SETS.
 - UNLESS OTHERWISE NOTED, ALL DOOR THICKNESSES TO BE 1 3/4".
 - SEE SIGNAGE PLAN/DETAILS FOR SIGNAGE INFORMATION.
 - SEE HARDWARE SPECIFICATION FOR DOOR HANGER LOCATIONS.
 - ALL LOCKING EXIT DOORS ARE TO HAVE EXIT DEVICES (PANIC HARDWARE), MUST NOT BE UNLOCKED BY FROM THE INSIDE OF THE BUILDING, AND MUST SWING IN THE DIRECTION OF EGRESS.
 - ALL VISION PANELS IN METAL DOORS AND STATED WOOD DOORS SHALL HAVE METAL FRAMES AND STOPS. PROVIDE FIRE RATED GLASS AT ALL RATED LOCATIONS. TEMPERED IN ALL RATED LOCATIONS. PROVIDE 1" TIGHTENED GLAZING AT RATED LOCATIONS.
 - AT ALL GYPSUM WALLBOARD PARTITIONS, LOCATE ALL WINDOW AND/DOOR FRAMES 4" FROM ADJACENT WALL TO BACK OF FRAME, U.N.O.

CONSTRUCTION DOCS.

REV.	DATE BY	DESCRIPTION
A	2017-11-03	10% CONCEPT DESIGN
B	2017-12-22	65% SUBMITTAL
C	2018-02-23	95% SUBMITTAL
D	2018-04-13	FOR CONSTRUCTION
E	2018-06-01	FOR CONSTRUCTION

CIVIL ENGINEERING
94th AIRLIFT WING
DOBBINS AIR RESERVE BASE, GEORGIA

CROFT & ASSOCIATES
3400 Blue Springs Road,
Suite 200
Kennesaw, GA 30144
770.529.7744 (o)
770.538.7168 (f)
www.croftandassociates.com

STATE OF GEORGIA
ANTHONY W. CORLISS
REGISTERED ARCHITECT

REPAIR FACILITY & ADDITION
BUILDING 747
FGWB 08-0027
DOBBINS AIR RESERVE BASE, GEORGIA

PROJECT CONTRACT: 102017-0132
ROBERT@croftandassociates.com

PROJECT	LOCATION	DRAWING	CONTACT
PROJECT No:	2017-238		
PROJ. OFFICER:	J. MORGAN		
DESIGNED:	M. GUNN		
CHECKED:	J. MORGAN		
DATE:	2018-06-01		
DRAWING	27	OF	45

A-601