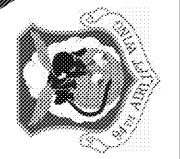
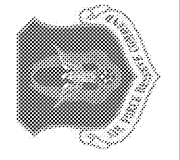


REV.	DATE BY	DESCRIPTION
A	2017-11-03	10% CONCEPT DESIGN
B	2017-12-22	65% SUBMITTAL
C	2018-02-23	95% SUBMITTAL
D	2018-04-13	FOR CONSTRUCTION
E	2018-06-01	FOR CONSTRUCTION



CIVIL ENGINEERING
94th AIRLIFT WING
 DOBBINS AIR RESERVE BASE, GEORGIA



CROFT & ASSOCIATES
 3400 Blue Springs Road,
 Suite 200
 Marietta, GA 30144
 770.529.7744 (o)
 770.529.7748 (f)
 www.croftaa.com



REPAIR FACILITY & ADDITION
BUILDING 747
 FGWB 08-0027
 DOBBINS AIR RESERVE BASE, GEORGIA

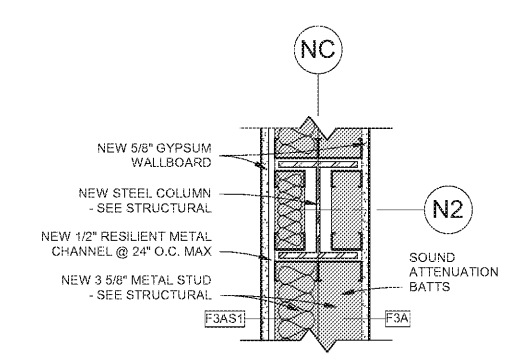
PLAN DETAILS
 PROJECT CONTRACT: 17-012
 ROBERT.E.SMITH@us.af.mil

PROJECT	LOCATION	DRAWING	CONTRACT
PROJECT No:	2017-238		
PROJ. OFFICER:	J. MORGAN		
DESIGNED:	M. GUNN		
CHECKED:	J. MORGAN		
DATE:	2018-06-01		
DRAWING	25	OF	45

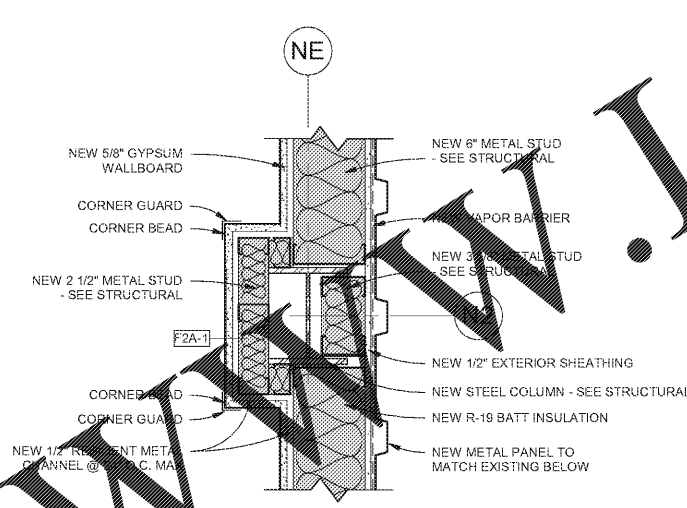
A-451

Order Plans @

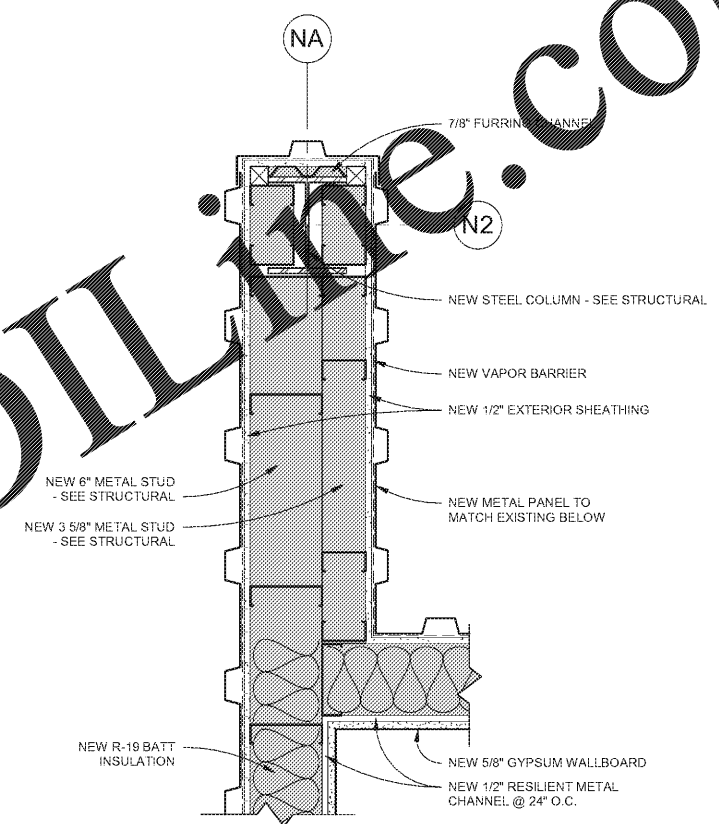
WWW.LDILLINE.COM



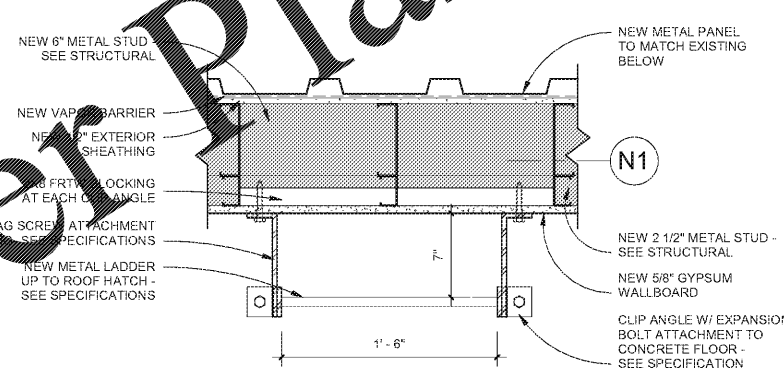
3 PLAN DETAIL AT COLUMN
 1 1/2" = 1'-0"
 0 6" 1 2 FT



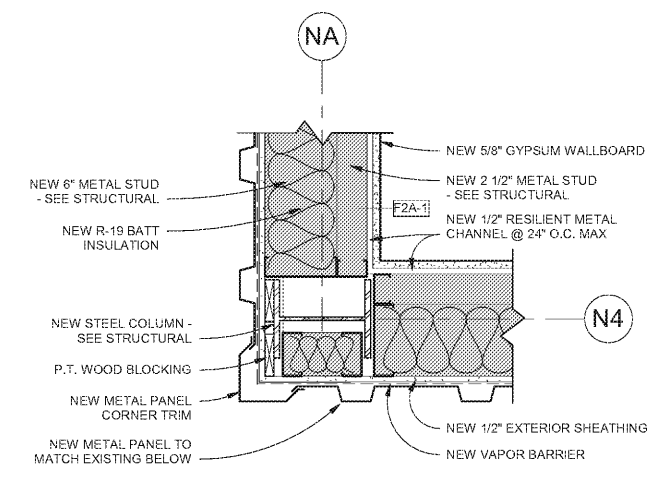
4 PLAN DETAIL AT COLUMN
 1 1/2" = 1'-0"
 0 6" 1 2 FT



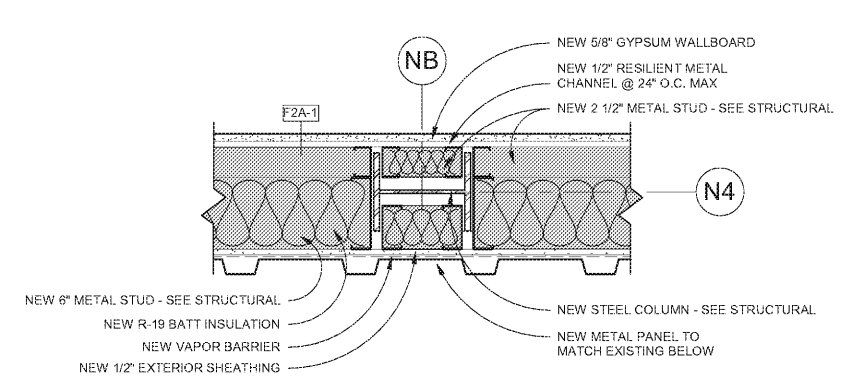
5 PLAN DETAIL AT COLUMN
 1 1/2" = 1'-0"
 0 6" 1 2 FT



6 PLAN DETAIL AT LADDER
 1 1/2" = 1'-0"
 0 6" 1 2 FT



1 PLAN DETAIL AT CORNER
 1 1/2" = 1'-0"
 0 6" 1 2 FT



2 PLAN DETAIL AT COLUMN
 1 1/2" = 1'-0"
 0 6" 1 2 FT