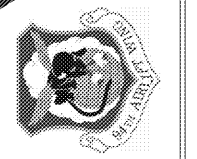
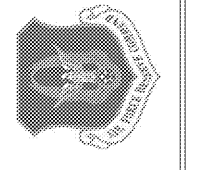


REV.	DATE BY	DESCRIPTION
A	2017-11-03	10% CONCEPT DESIGN
B	2017-12-22	65% SUBMITTAL
C	2018-02-23	95% SUBMITTAL
D	2018-04-13	FOR CONSTRUCTION
E	2018-06-01	FOR CONSTRUCTION



CIVIL ENGINEERING
94th AIRLIFT WING
DOBBINS AIR RESERVE BASE, GEORGIA



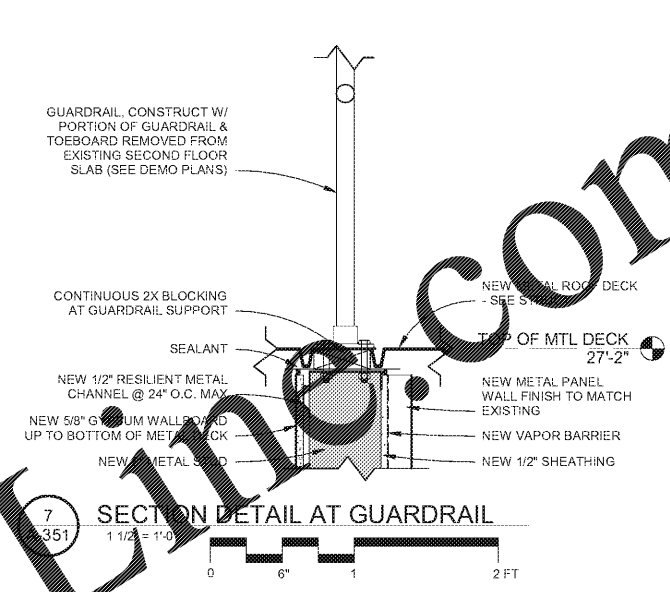
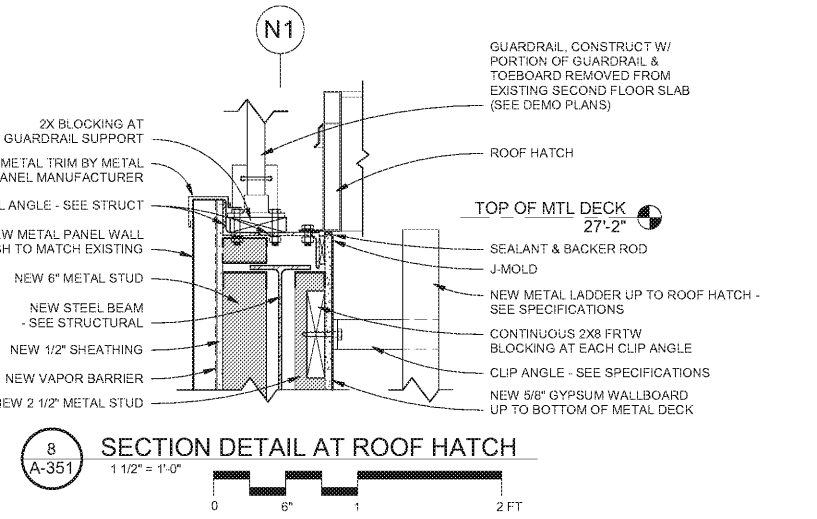
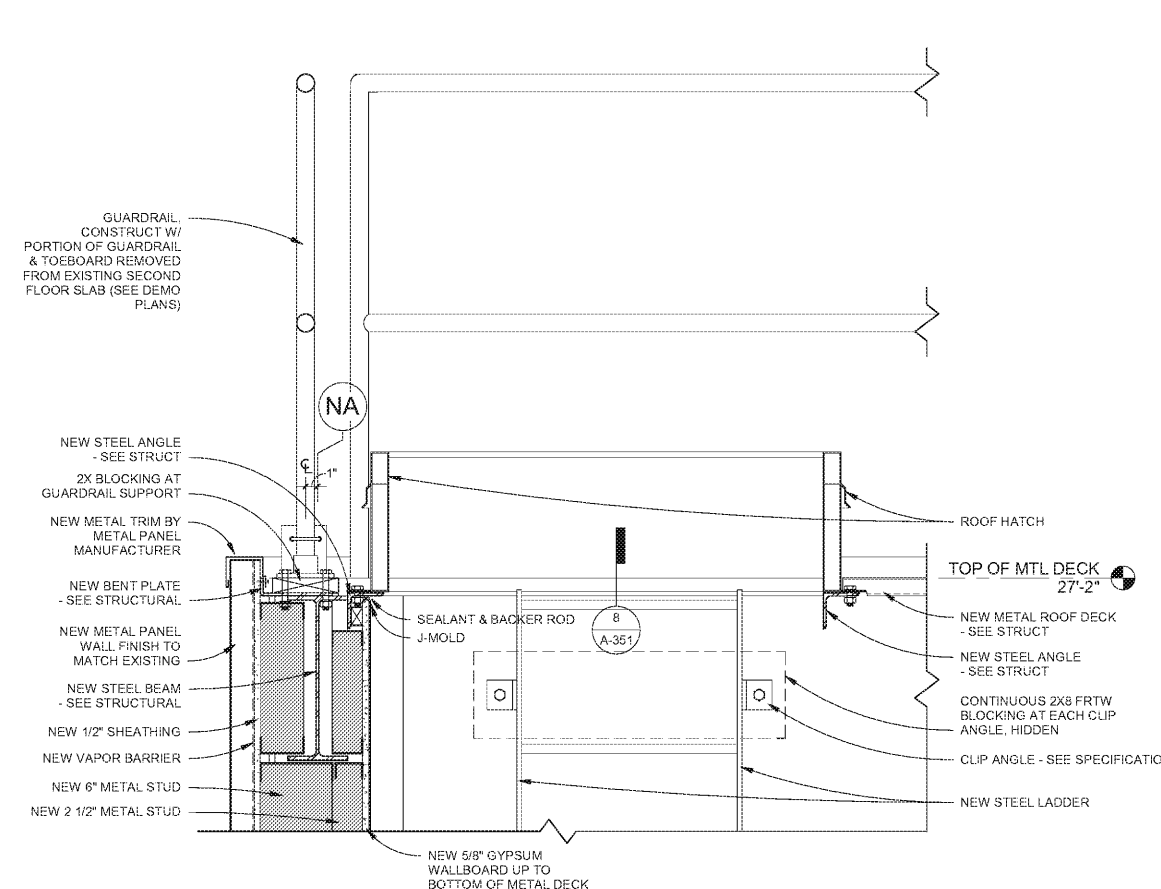
CROFT & ASSOCIATES
3400 Blue Springs Road,
Suite 200
Kennesaw, GA 30144
770.529.7144 (p)
770.529.7168 (f)
www.croftandassociates.com



REPAIR FACILITY & ADDITION
BUILDING 747
FGWB 08-0027
DOBBINS AIR RESERVE BASE, GEORGIA

PROJECT	LOCATION	DRAWING	CONTRACT
PROJECT No.	2017-238		
PROJ. OFFICER	J. MORGAN		
DESIGNED	M. GUNN		
CHECKED	J. MORGAN		
DATE	2018-06-01		
DRAWING	24	OF	45

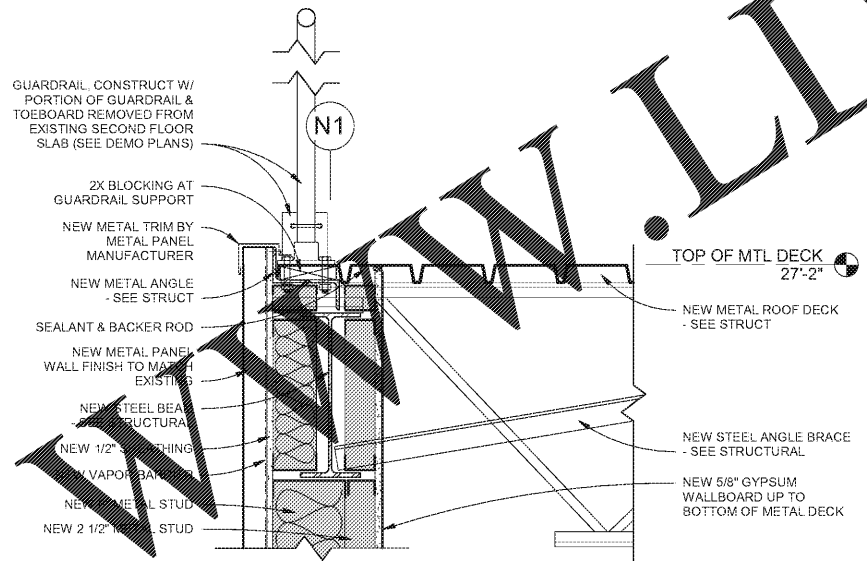
A-351



5 SECTION DETAIL AT ROOF HATCH
A-351 1 1/2" = 1'-0"

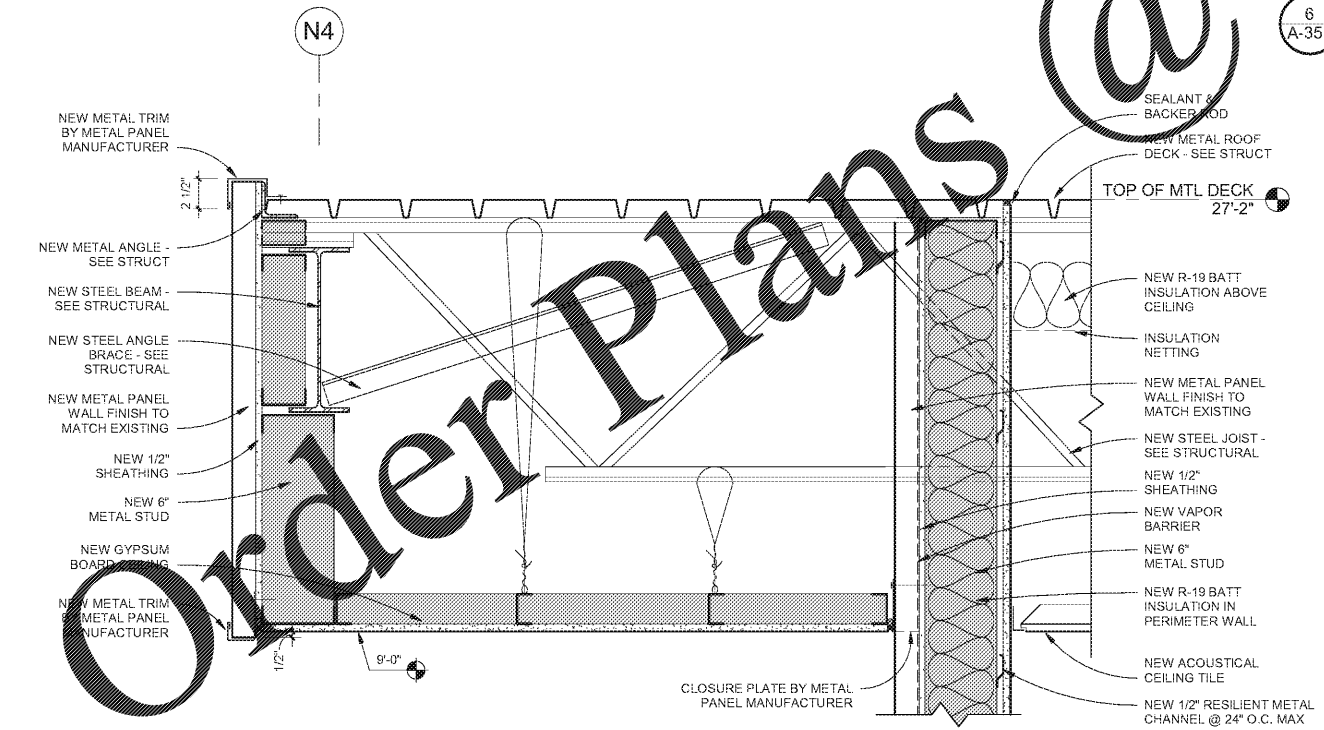
8 SECTION DETAIL AT ROOF HATCH
A-351 1 1/2" = 1'-0"

7 SECTION DETAIL AT GUARDRAIL
A-351 1 1/2" = 1'-0"

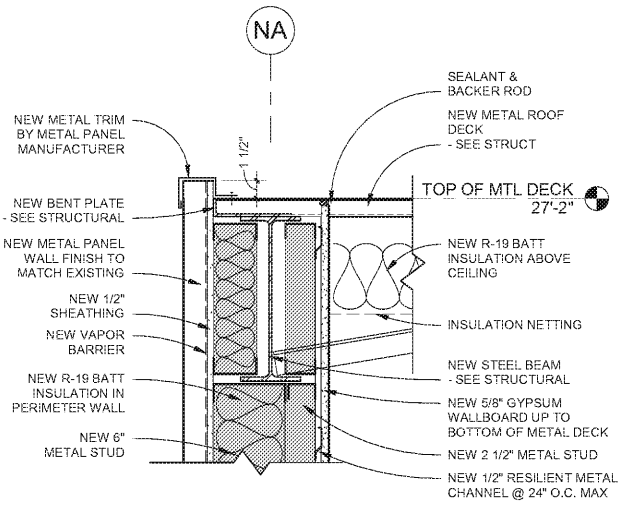


6 SECTION DETAIL AT METAL DECK EDGE/GUARDRAIL
A-351 1 1/2" = 1'-0"

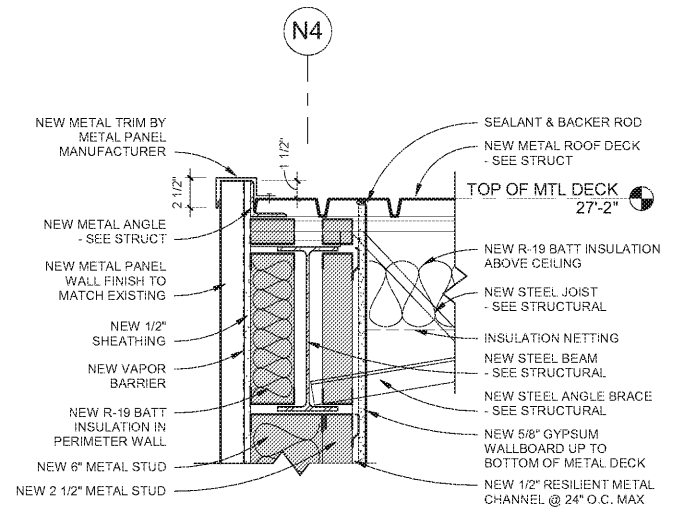
2 SECTION DETAIL AT SECOND FLOOR
A-351 1 1/2" = 1'-0"



4 SECTION DETAIL AT TOP OF WALL
A-351 1 1/2" = 1'-0"



3 SECTION DETAIL AT TOP OF WALL
A-351 1 1/2" = 1'-0"



1 SECTION DETAIL AT TOP OF WALL
A-351 1 1/2" = 1'-0"

Order Plans @