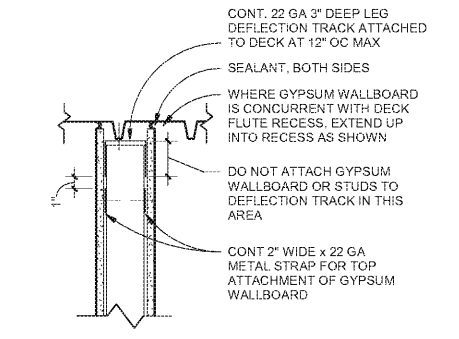
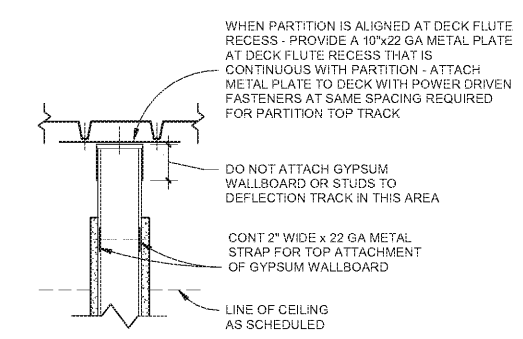


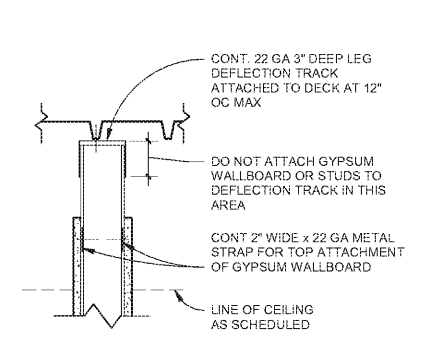
PARALLEL TO FLUTED STEEL DECK (GWB TO STRUCTURE)



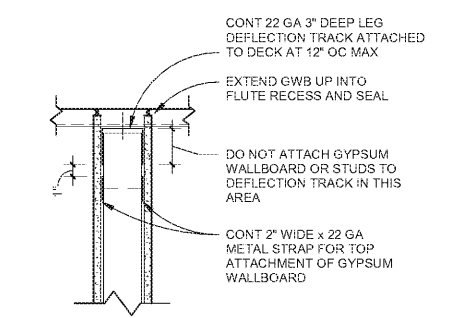
PARALLEL TO FLUTED STEEL DECK (GWB TO STRUCTURE)



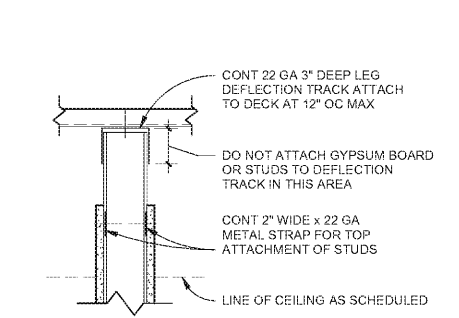
PARALLEL TO FLUTED STEEL DECK (GWB TO ABOVE CEILING)



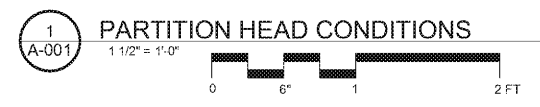
PARALLEL TO FLUTED STEEL DECK (GWB TO ABOVE CEILING)



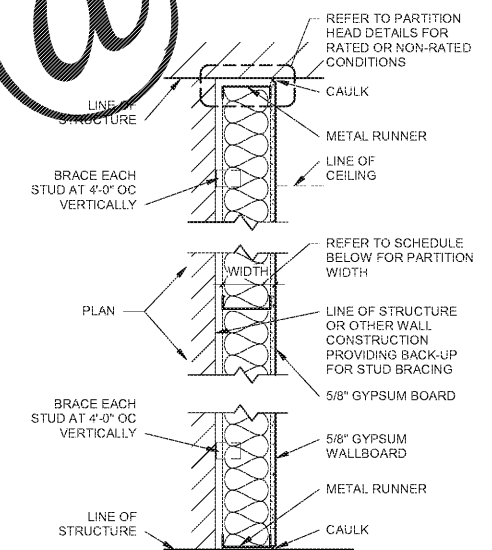
PERPENDICULAR OR DIAGONAL TO FLUTED STEEL DECK (GWB TO STRUCTURE)



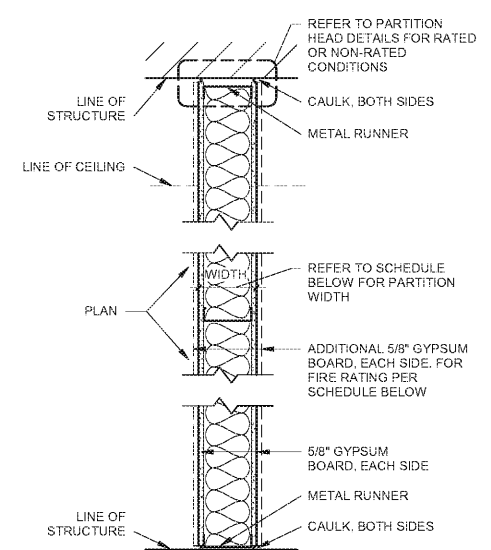
PERPENDICULAR OR DIAGONAL TO FLUTED STEEL DECK (GWB TO ABOVE CEILING)



Order Plans @



PARTITION TYPE 'F'					
MARK	STUD WIDTH	GYPSUM THK LAYERS PER SIDE	PARTN WIDTH	FIRE RATING	UL LISTING
F0	7/8"	5/8"	1-1/2"	NA	NA
F1	1-5/8"	5/8"	2-1/4"	NA	NA
F2	2-1/2"	5/8"	3-1/8"	NA	NA
F3	3-5/8"	5/8"	4-1/4"	NA	NA



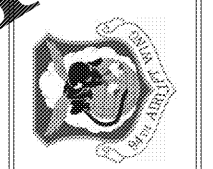
PARTITION TYPE 'G'					
MARK	STUD WIDTH	GYPSUM THK LAYERS PER SIDE	PARTN WIDTH	FIRE RATING	UL LISTING
G2	2-1/2"	5/8"	3-3/4"	NA	NA
G3	3-5/8"	5/8"	4-7/8"	.5 HR	U407
G4	4"	5/8"	5-1/4"	.5 HR	U407
G6	6"	5/8"	7-1/4"	.5 HR	U407

PARTITION NOTES:

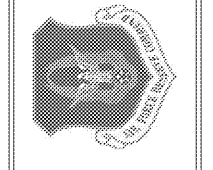
- "LINE OF STRUCTURE" INDICATED FOR EACH PARTITION IS DIAGRAMMATIC ONLY AND DOES NOT INDICATE EXACT CONSTRUCTION CONDITIONS OR GEOMETRY.
- ALL DIMENSIONS ARE FROM FACE OF GYPSUM BOARD TO FACE OF GYPSUM BOARD. REFER TO PARTITION TYPE FOR PARTITION WIDTH DIMENSIONS UNLESS NOTED OTHERWISE TO BE SHOWN ON PLAN.
- CAULK:
 - FIRE RESISTANCE RATED PARTITIONS SHALL USE RATED FIRE / SMOKE RESISTANT FILL MATERIAL IN CONJUNCTION WITH AN APPROPRIATE RATED FIRE / SMOKE FIRE STOPPING SYSTEM.
- NON-RATED PARTITIONS AND NON-RATED SMOKE RESISTANT PARTITIONS SHALL USE ACOUSTICAL CAULK.
- INSULATION:
 - FIRE RESISTANCE RATED PARTITIONS SHALL USE MINERAL INSULATION.
- NON-RATED PARTITIONS REQUIRING SOUND ATTENUATION SHALL USE SOUND ATTENUATION BLANKETS (SAB).
- REFER TO SPECIFICATIONS FOR MINIMUM STUD THICKNESS, MAXIMUM SPACING AND ALLOWABLE LIMITING HEIGHTS DEFLECTION CRITERIA FOR GYPSUM BOARD.
- FOR PARTITIONS INTENDED TO RECEIVE SOUND ATTENUATION BLANKETS (SAB), EXTEND SAB TO FULL HEIGHT OF PARTITION UNLESS OTHERWISE INDICATED. FOR TRACKS TO BE SET IN A CONT. BED OF CAULK.
- FIRE RESISTANT AND FIRE RESISTANT SMOKE RATINGS ARE TO SURROUND ALL PARTITIONS IN RATED PARTITIONS.
- SMOKE RESISTANT, FIRE RESISTANT, AND FIRE RESISTANT SMOKE BARRIER PARTITIONS SHALL EXTEND AND SEAL TO INSIDE FACE OF EXTERIOR SHEATHING, INCLUDING EXTENSIONS THROUGH SOFFITS.
- EACH PARTITION SHOWN ON THE DRAWINGS TO HAVE A FIRE AND OR SMOKE RESISTANT RATING SHALL BE IDENTIFIED WITH A LABEL ABOVE THE CEILING ON EACH SEGMENT OF WALL AND 20'-0" O.C. MAX. EACH SIDE OR AS REQUIRED BY AHJ.
- PROVIDE ACRYLIC CORNER OUTSIDE GUARDS AT ALL GYPSUM WALLBOARD CORNERS. BOTTOM OF GUARD TO BE MOUNTED ON TOP OF BASE.
- PROVIDE METAL STRAPPING @ 24" VERT. TO HOLD INSULATION AT AREAS WITHOUT GYPSUM WALLBOARD.
- ALL WALLS SCHEDULED TO RECEIVE SOUND BATTS OR THERMAL INSULATION, EXTEND BATTS OR INSULATION ON FULL HEIGHT OF WALL.
- ALL BOTTOM WALL TRACKS TO BE SET IN STRIP OF SOUND CAULK.
- ALL BLOCKING TO BE FIRE RETARDANT TREATED.
- ALL RATED PARTITIONS SHALL BE LABELED ABOVE CEILING WITH LABELS PER AHJ AS REQUIRED, IBC CHAPTER 7 AT MINIMUM. SEE FLOOR PLAN FOR EXTENT AND LOCATIONS.

CONSTRUCTION DOCS.

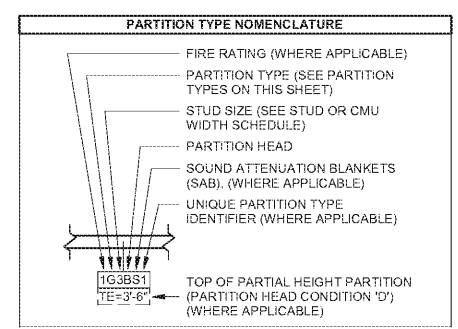
REV.	DATE	DESCRIPTION
A	2017-12-05	10% CONCEPT DESIGN
B	2017-12-22	65% SUBMITTAL
C	2018-02-23	95% SUBMITTAL
D	2018-04-13	FOR CONSTRUCTION
E	2018-06-01	FOR CONSTRUCTION



CIVIL ENGINEERING
94th AIRLIFT WING
DOBBINS AIR RESERVE BASE, GEORGIA



CROFT & Associates
3400 Blue Springs Road,
Suite 200
Kennesaw, GA 30144
770.529.7744 (p)
770.529.7768 (f)
www.croftandassociates.com



PARTITION TYPES	
C	CHASE
F	FURRING
G	GYPSUM WALLBOARD
H	HYBRID
M	MASONRY
P	PANEL - EX. METAL WALL PANEL
S	SHAFT
T	TEMPORARY
W	WOOD

PARTITION METAL / WOOD STUD OR CMU WIDTH				
NUMBER CHARACTER	METAL STUD WIDTH	WOOD STUD WIDTH	CMU WIDTH	REMARKS
0	7/8"	NA	NA	7/8" FURRING CHANNEL
1	1-5/8"	NA	NA	
2	2-1/2"	1-1/2"	1-5/8"	CMU = SOAP BLOCK
3	3-5/8"	2-1/2"	NA	
4	4"	3-1/2"	3-5/8"	
6	6"	5-1/2"	5-5/8"	
8	8"	7-1/4"	7-5/8"	
10	10"	9-1/4"	9-5/8"	
12	12"	11-1/4"	11-5/8"	

PARTITION HEAD CONDITION DESIGNATOR	
A	PARTITION TO BOTTOM OF STRUCTURAL ROOF OR FLOOR DECK ABOVE
B	PARTITION TO 6" ABOVE CEILING - EXTEND METAL STUD TO STRUCTURE PER SPECIFICATIONS
C	PARTITION TO BOTTOM OF CEILING ABOVE
D	PARTIAL HEIGHT PARTITION - SEE FLOOR PLAN FOR HEIGHT

UNIQUE PARTITION TYPE IDENTIFIER	
1	ADD (1) LAYER OF 1/2" RESILIENT METAL CHANNEL ATTACHED TO METAL STUD, SPACED @ 24" O.C. MAX



REPAIR FACILITY & ADDITION
BUILDING 747
FGWB 08-0027
DOBBINS AIR RESERVE BASE, GEORGIA

PARTITION TYPES & HEAD CONDITIONS

PROJECT CONTACT: robert@croftandassociates.com

PROJECT	LOCATION	DRAWING	CONTRACT
PROJECT No:	2017-238		
PROJ. OFFICER:	J. MORGAN		
DESIGNED:	M. GUNN		
CHECKED:	J. MORGAN		
DATE:	2018-06-01		