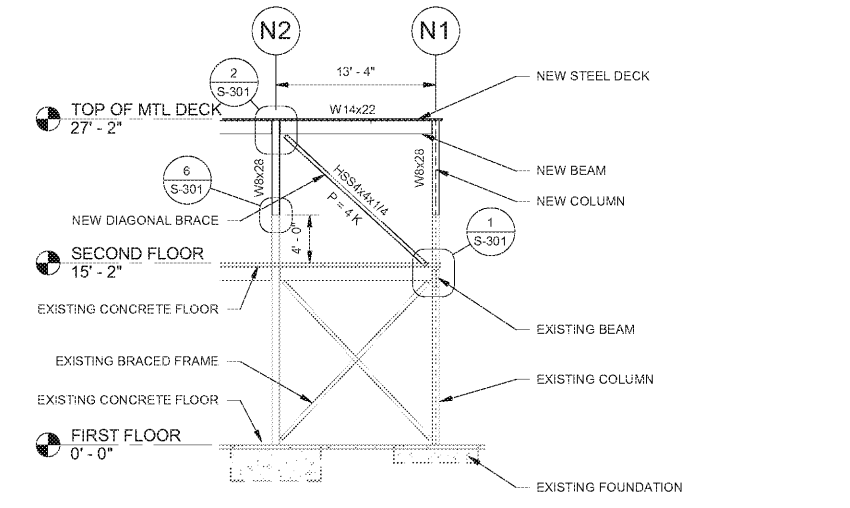
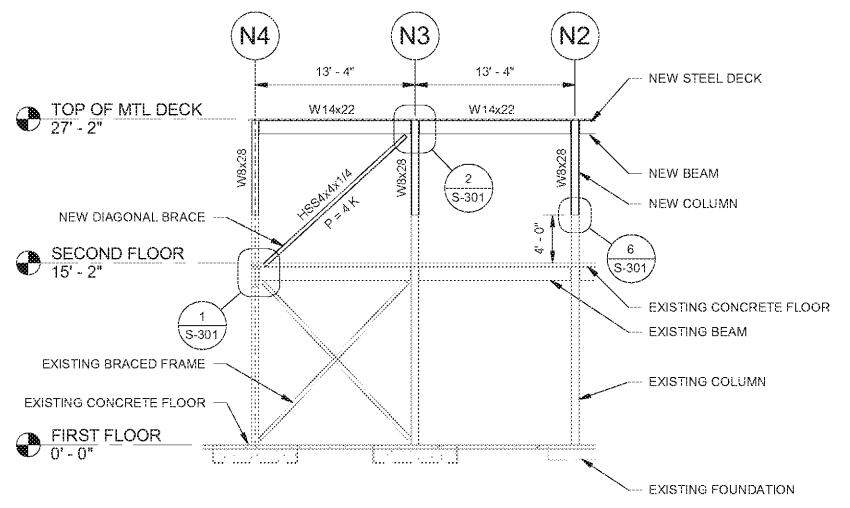


BRACED FRAME GENERAL NOTES:

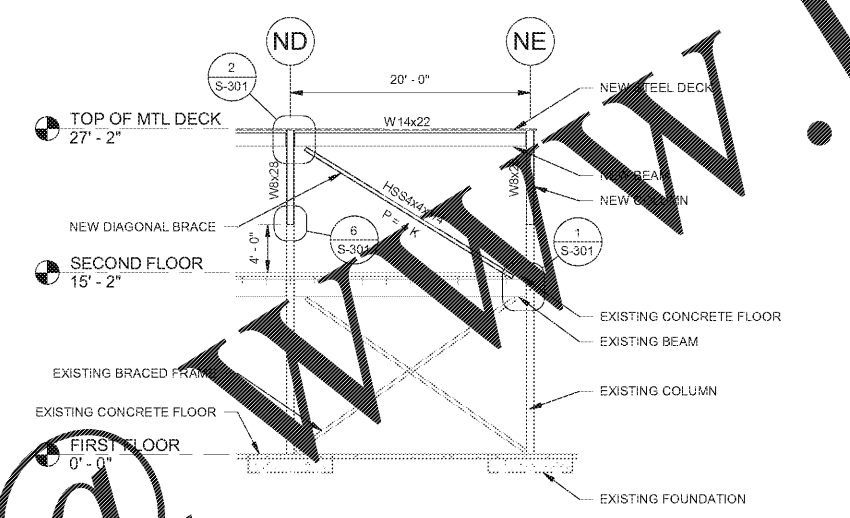
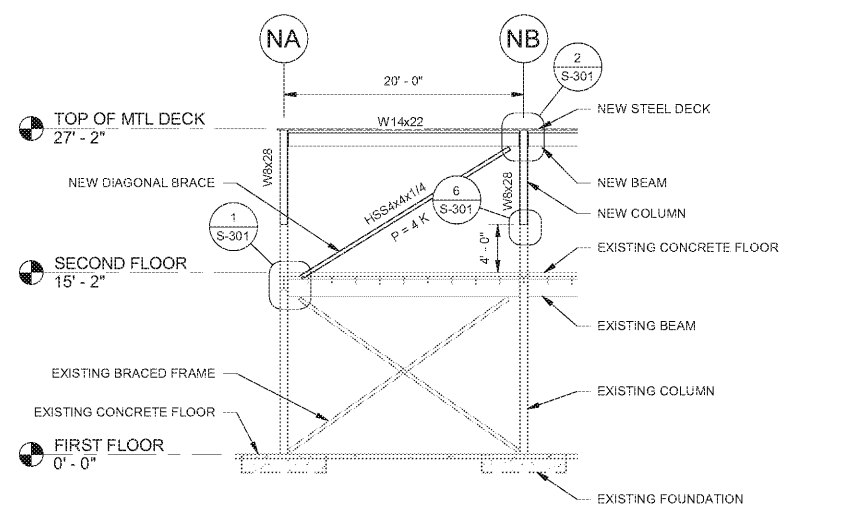
- BRACE FORCES SHOWN ON ELEVATIONS ARE SERVICE LEVEL FORCES. BRACE CONNECTIONS SHALL BE DESIGNED FOR BOTH COMPRESSION AND TENSION UNLESS NOTED OTHERWISE.
- BRACE CONNECTION DETAILS SHOWN ARE INTENDED TO CONVEY STRUCTURAL DESIGN INTENT. STRUCTURAL STEEL FABRICATOR SHALL COMPLETE THE DESIGN OF ALL BRACE CONNECTIONS. CONNECTION DESIGN CALCULATIONS PREPARED BY A REGISTERED DESIGN PROFESSIONAL LICENSED IN THE STATE IN WHICH THE PROJECT IS LOCATED SHALL BE SUBMITTED FOR REVIEW PRIOR TO CONSTRUCTION. SEE GENERAL NOTES AND SPECIFICATIONS.

REV.	DATE BY	DESCRIPTION
B	2017-12-27	65% SUBMITTAL
C	2018-02-21	65% SUBMITTAL
D	2018-04-13	FOR CONSTRUCTION
E	2018-06-01	FOR CONSTRUCTION



1 S-201
1/8" = 1'-0"
0 5 10 25 FT
BRACED FRAME ELEVATION - N4-N3

2 S-201
1/8" = 1'-0"
0 5 10 25 FT
BRACED FRAME ELEVATION - N2-N1



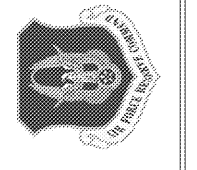
3 S-201
1/8" = 1'-0"
0 5 10 25 FT
BRACED FRAME ELEVATION - NA-NB

4 S-201
1/8" = 1'-0"
0 5 10 25 FT
BRACED FRAME ELEVATION - ND-NE

Order Plans



CIVIL ENGINEERING
94th AIRLIFT WING
DOBBINS AIR RESERVE BASE, GEORGIA



CROFT & ASSOCIATES
3400 Blue Springs Road,
Suite 200
Kennesaw, GA 30144
770.528.7714 (p)
770.528.7716 (f)
www.croftaa.com

PES STRUCTURAL ENGINEERS



REPAIR FACILITY & ADDITION
BUILDING 747
FGWB 08-0027
DOBBINS AIR RESERVE BASE, GEORGIA
BRACED FRAME ELEVATIONS

PROJECT	LOCATION	DRAWING	CONTACT
PROJECT No.	2017-238		
PROJ. OFFICER	J MORGAN		
DESIGNED	M WILSON		
CHECKED	M PLANER		
DATE	2018-06-01		
DRAWING	7 OF 45		