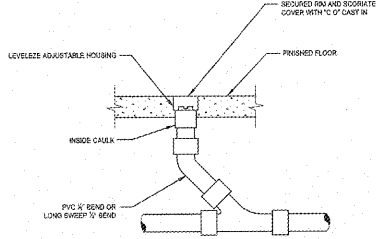
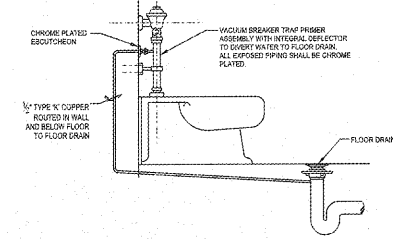


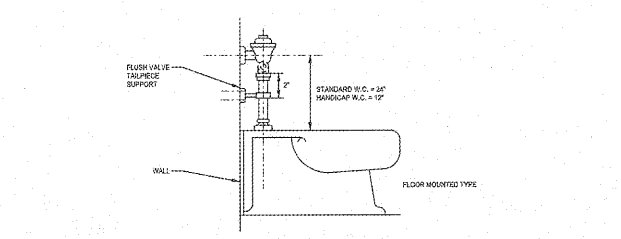
OUTSIDE CLEANOUT
SCALE: NONE



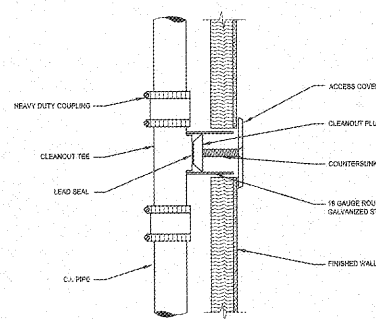
FLOOR CLEANOUT
SCALE: NONE



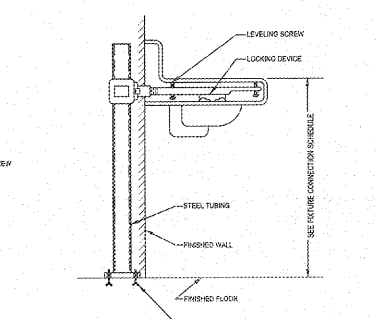
TRAP PRIMER PIPING DETAIL
SCALE: NONE



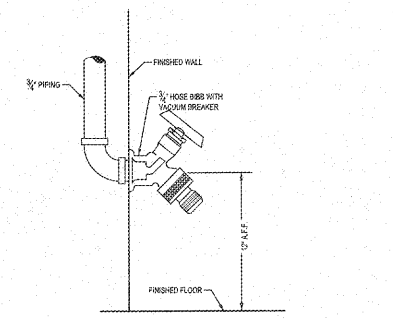
WATER CLOSET FLUSH VALVE MOUNTING DETAIL
SCALE: NONE



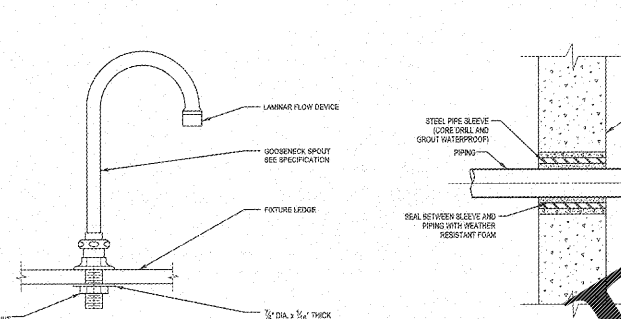
WALL CLEANOUT
SCALE: NONE



LAVATORY CARRIER DETAIL
SCALE: NONE



HOSE BIBB DETAIL
SCALE: NONE

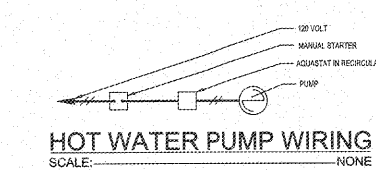


GOOSENECK SPOUT MOUNTING DETAIL
SCALE: NONE

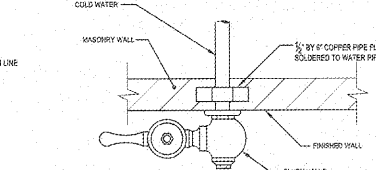
PLUMBING LEGEND	
-----	SOIL OR WASTE PIPING
-----	VENT PIPING
-----	COLD WATER PIPING
-----	HOT WATER PIPING
-----	HOT WATER RECIRCULATING PIPING (HWP)
-----	NATURAL GAS PIPING
-----	BALL VALVE (2" & SMALLER) OR BUTTERFLY VALVE (2" & LARGER)
-----	CHECK VALVE
-----	PIPING DROP IN DIRECTION OF FLOW
-----	PIPING RISE IN DIRECTION OF FLOW
-----	DIELECTRIC UNION
-----	PIPING TEE FROM BOTTOM OF MAIN
-----	CHROME PLATED ROSE BIBB
-----	FREZE PROOF WALL HYDRANT
-----	FLOOR DRAIN
-----	FLOOR CLEANOUT
-----	WALL CLEANOUT
-----	OUTSIDE CLEANOUT
-----	VENT THROUGH ROOF
-----	GAS METER

FIXTURE CONNECTION SCHEDULE											
MARK	FIXTURE	NOTE	RIM HEIGHT	COLD WATER	HOT WATER	WASTE	CONDN.	BRANCH	CONDN.	BRANCH	CONDN.
P-1	WATER MET		1"	1"	1"	1"					
P-2	WATER		1"	1"	1"	1"					
P-3	URINAL		1"	1"	1"	1"					
P-4	LAVATORY		1"	1"	1"	1"					
P-5	LAVATORY		1"	1"	1"	1"					
P-6	WASH SINK		1"	1"	1"	1"					
P-7	ICE MAKER		1"	1"	1"	1"					
P-8	ICE MAKER		1"	1"	1"	1"					
P-9	ICE MAKER		1"	1"	1"	1"					
P-10	ICE MAKER		1"	1"	1"	1"					

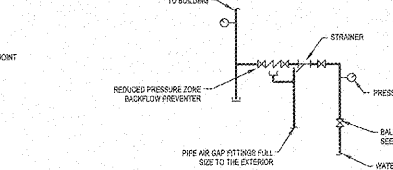
- GENERAL NOTES**
1. THESE DRAWINGS ARE DIAGNOSTIC AND SHALL NOT BE SCALED. SEE ARCHITECTURAL DRAWINGS FOR DIMENSIONS.
 2. INSTALLATION OF PIPE AND EQUIPMENT SHALL BE COORDINATED WITH ALL OTHER WORK RELATED TO THE CONSTRUCTION OF THIS FACILITY INCLUDING BUT NOT LIMITED TO: BUILDING STRUCTURE, HVAC EQUIPMENT, POET WORK AND PIPING, ELECTRICAL WORK AND OTHER PLUMBING EQUIPMENT.
 3. STRUCTURAL MEMBERS SHALL NOT BE PENETRATED WITHOUT APPROVAL FROM ARCHITECT.
 4. ROUTE ALL PIPING CONTAINING FLUIDS SUBJECT TO FREEZING WITHIN THE BUILDING INSULATION ENVELOPE OR PROVIDE HEAT TAPE.
 5. ROUTE SANITARY VENT PIPING SO VENTS THRU ROOF WILL BE A MINIMUM OF 12'-0" FROM ALL OUTSIDE AIR INTAKES AND A MINIMUM OF 5'-0" FROM EXTERIOR WALLS, ROOF EXPANSION JOINTS AND ROOF MOUNTED EQUIPMENT.
 6. WHERE CHASE WALLS ARE NOT FURNISHED, PIPING SHALL NOT BE ROUTED HORIZONTALLY. AVOID CUTTING STUDS.



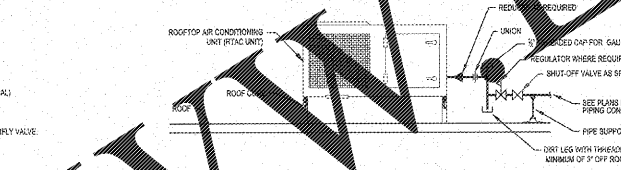
HOT WATER PUMP WIRING
SCALE: NONE



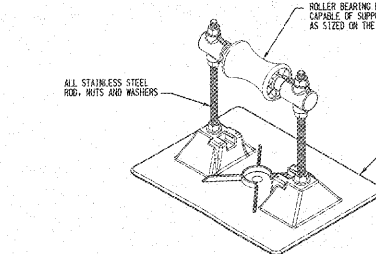
FLUSH VALVE ANCHOR
SCALE: NONE



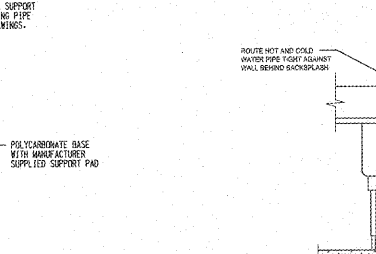
BACKFLOW PREVENTER SCHEMATIC
SCALE: NONE



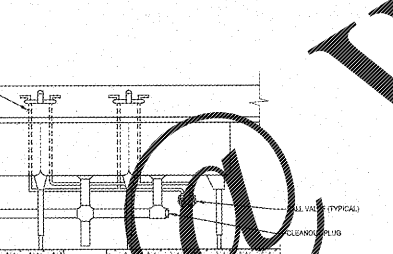
TYPICAL GAS CONNECTION TO RTAC UNITS
SCALE: NONE



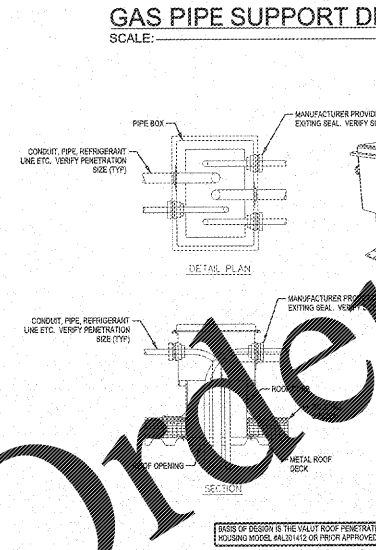
GAS PIPE SUPPORT DETAIL
SCALE: NONE



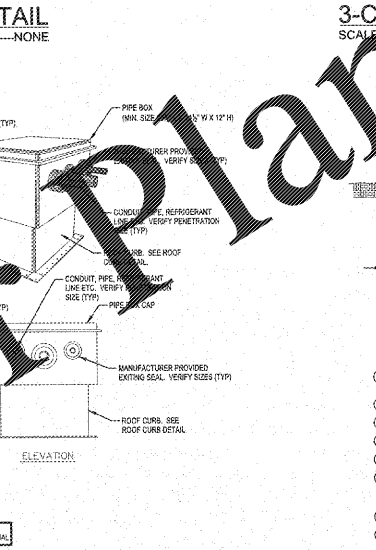
3-COMPARTMENT SINK DETAIL
SCALE: NONE



TYPICAL GAS CONNECTION TO GENERATOR
SCALE: NONE

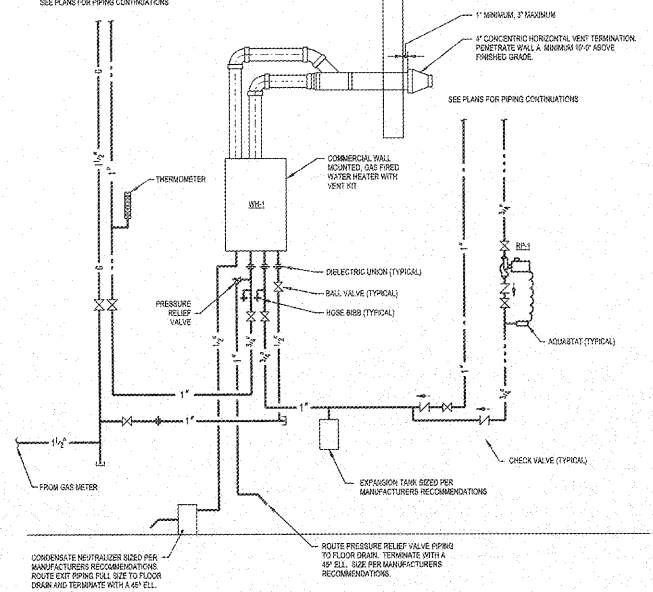


PIPE BOX ASSEMBLY DETAIL
SCALE: NONE



GREASE TRAP DETAIL
SCALE: NONE

1. PRECAST TANK: 300 GALLON LIQUID CAPACITY. COORDINATE WITH REQUIREMENTS OF LOCAL JURISDICTION.
2. MANHOLE TOP AND RING: MINIMUM 12" DIA. OR EQUAL.
3. 12" MOW STRIP, TYPICAL.
4. CAST IRON PIPE AND FITTINGS.
5. BRACKET PIPE TO WALL.
6. BRICK UP TO 4" ABOVE FINISHED GRADE. BRICK SHALL BE L40 UNIFORM PORTLAND CEMENT. PROVIDE 1" THICK PLASTER COAT ON EXTERIOR OF BRICK. INSTALL MANHOLE STEPS 2'-0" ON CENTER IF BRICK WORK IS GREATER THAN 4'-0".
7. PROVIDE TOP SECTION WITH 24" DIAMETER OPENING AT EACH END OF TANK.
8. INSTALL CONCRETE BAFFLE IN TANK.



TANKLESS WATER HEATER DETAIL
SCALE: NONE

REVISIONS/ISSUANCES

NO.	DATE	DESCRIPTION

KEYPLAN

AH&P CONSULTING ENGINEERS
ANDREWS, HAMMOCK & POWELL, INC.
250 Charter Lane
Suite 100
Macon, Georgia 31210
Macon (478) 408-8301
Fax (478) 408-8210
WWW.AHPENR.COM

GEORGIA REGISTERED PROFESSIONAL ENGINEER

STATE OF GEORGIA REGISTERED ARCHITECT

Manley Spangler Smith Architects
A Professional Corporation

625 East Taylor St.
P.O. Box 880
Gwin, Georgia 30224
Office 770.227.5473
Fax 770.228.3442

PROJECT: HENRY COUNTY SCHOOLS MAINTENANCE / TECH / ADMIN EXPANSION

CLIENT: HENRY COUNTY BOARD OF EDUCATION

SHEET TITLE: PLUMBING LEGEND, SCHEDULE AND DETAILS

© 2018 Manley Spangler Smith Architects, PC
PROJECT NUMBER: 201726
DATE: 06.15.2018
SCALE: NONE
DRAWN BY: JSC
CHECKED BY: JSC
SHEET NO.: P4.11