



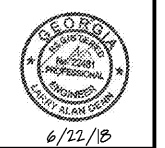
Clark Patterson Law
 3011 SUTTON GATE DRIVE
 SUWANEE, GA 30086
 TEL (800) 274-9000
 FAX (770) 531-2243
 www.clarkpatterson.com

S. RICHARDS, ARCHITECT, INC.
 MONROE, GEORGIA

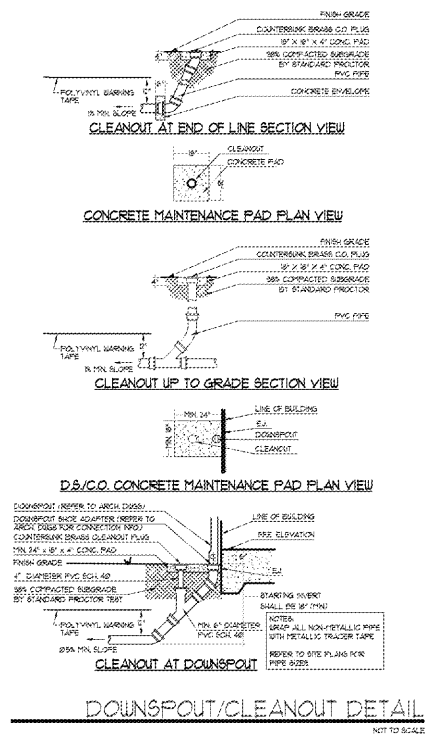
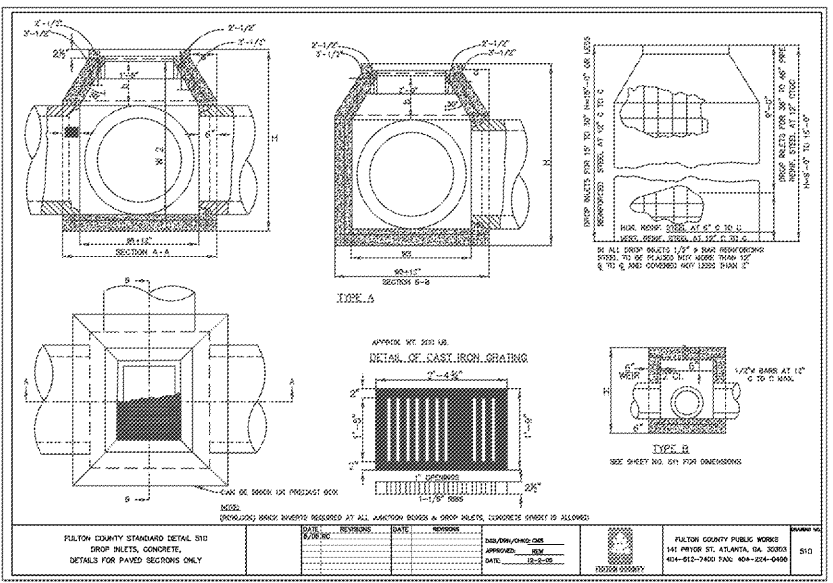
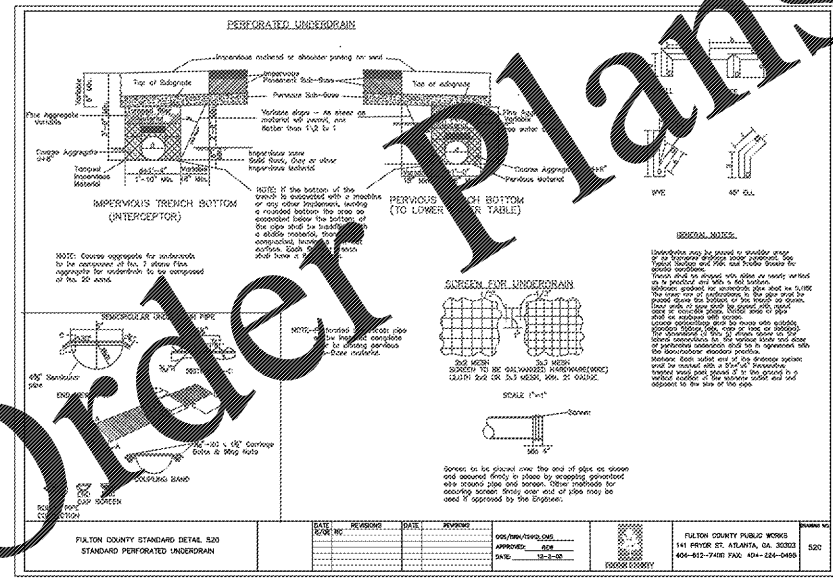
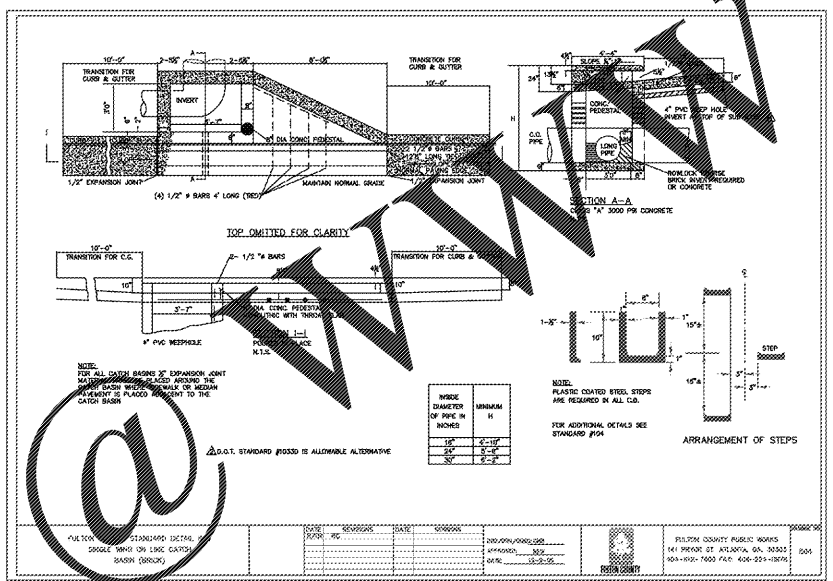
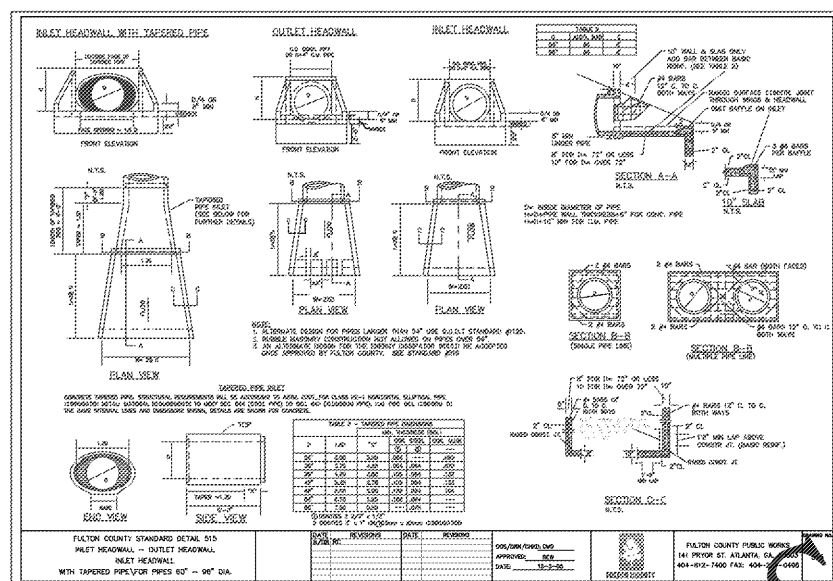
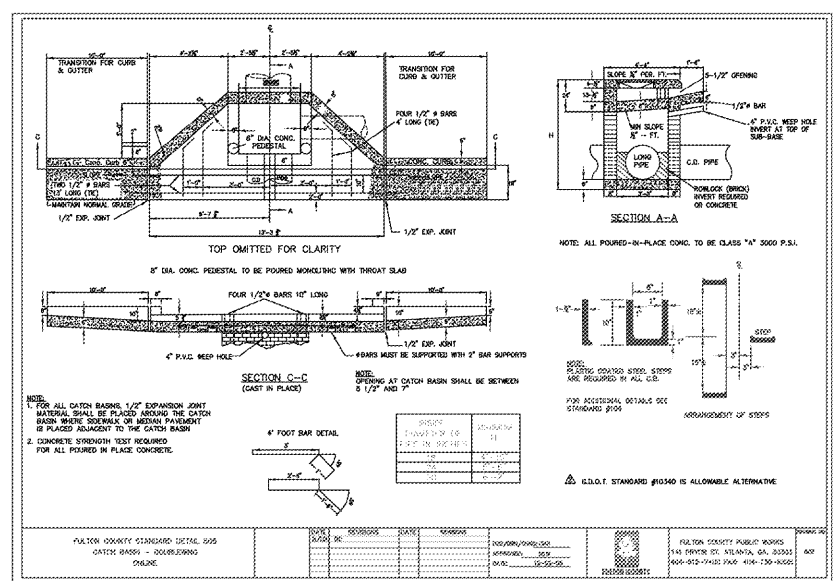
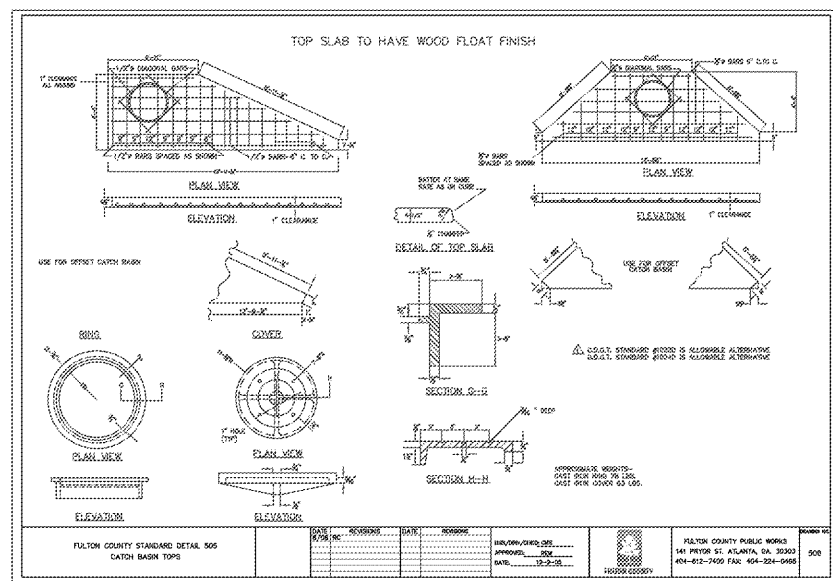
| NO. | DATE | REVISION |
|-----|------|----------|
| | | |
| | | |
| | | |

SOUTH TRANSPORTATION & MAINTENANCE FACILITY
 FACILITIES AND TRANSPORTATION SERVICES DEPARTMENT
 FULTON COUNTY, GEORGIA
 FULTON COUNTY BOARD OF EDUCATION

S. RICHARDS, ARCHITECT, INC.
 MONROE, GEORGIA



| | |
|-------------|---------------|
| SHEET TITLE | DETAILS V |
| DATE | June 22, 2016 |
| DRAWN C/D | / |
| SHEET | C-17 |
| OF | |
| ISSUED FOR | PROPOSAL |



Order Plans