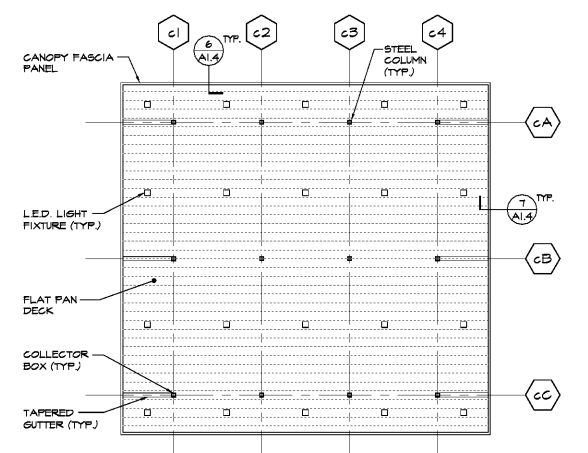
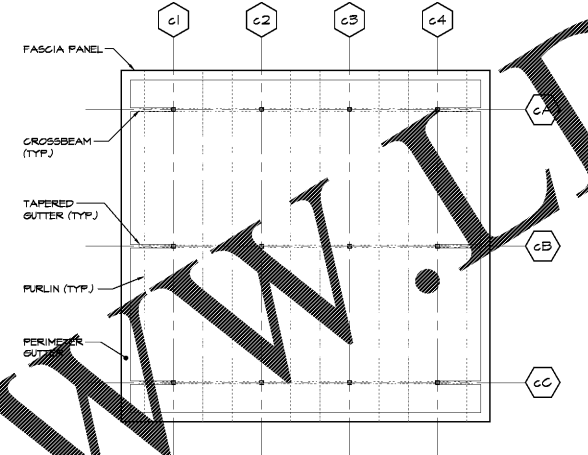


1 PROPANE FUEL CENTER CANOPY PLAN
SCALE: 1/8" = 1'-0"

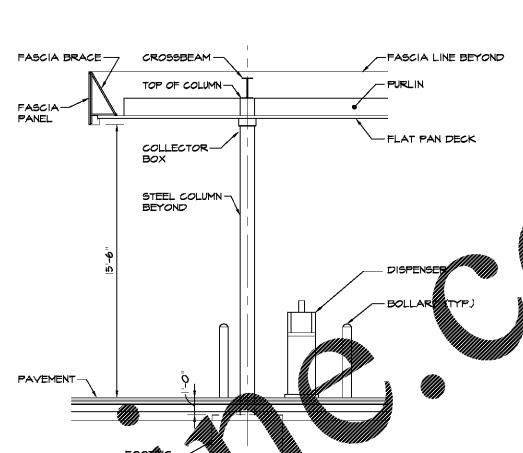
1. AMERIGAS SHALL PROVIDE:
- TANK, INCLUDING SUPPORT AND FOUNDATION.
 - PUMPS, INCLUDING PADS.
 - DISPENSERS, INCLUDING PADS.
 - FUEL MANAGEMENT UNIT, INCLUDING PAD.
 - UNDERGROUND PROPANE PIPING AND ELECTRICAL/LOW VOLTAGE CONDUITS TO TANK, DISPENSERS, AND FMU AS NEEDED FOR FULL OPERATION OF SYSTEM.
 - ALL BOLLARDS AROUND TANK, DISPENSERS, AND FMU.
 - ELECTRICAL PANELS AND RISER SUPPORTS.
- GENERAL CONTRACTOR WILL BE RESPONSIBLE FOR:
- SUPPLYING POWER TO ELECTRICAL RISER.
 - CANOPY AND LIGHTS.
 - CONDUITS AND LOW VOLTAGE FROM AMERIGAS PANEL TO CANOPY FOR LIGHTING, CAMERAS, ETC.
 - INSTALLATION OF CONCRETE PAVEMENT ONCE UNDERGROUND WORK IS COMPLETE.



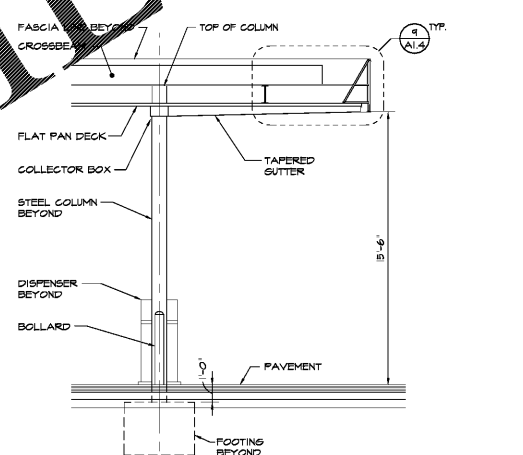
2 REFLECTED CEILING PLAN
SCALE: 1/16" = 1'-0"



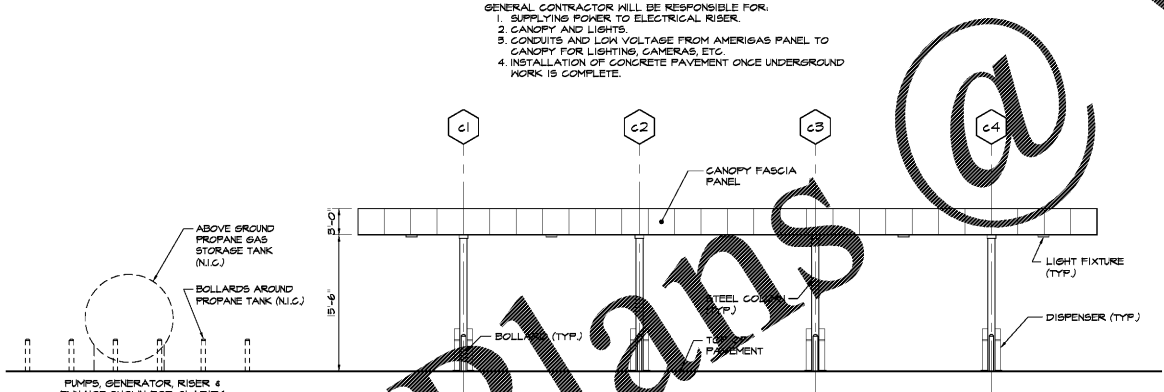
3 STRUCTURE DIAGRAM
SCALE: 1/16" = 1'-0"



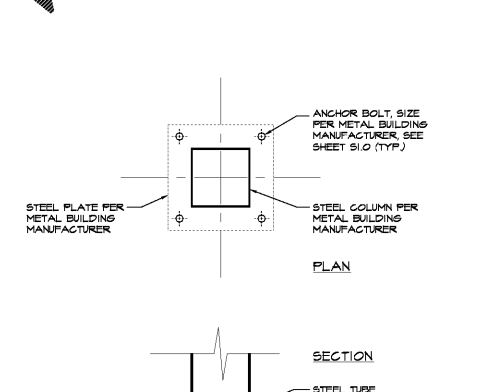
6 TYPICAL SECTION
SCALE: 1/4" = 1'-0"



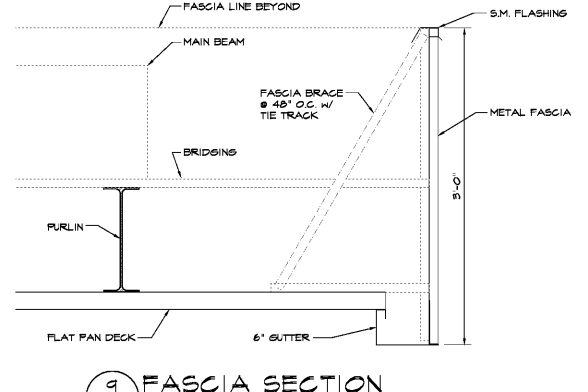
7 TYPICAL SECTION
SCALE: 1/4" = 1'-0"



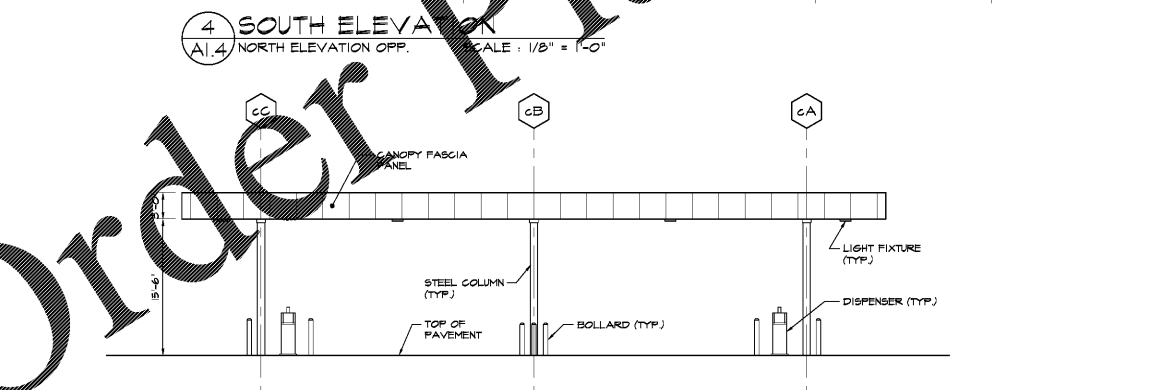
4 SOUTH ELEVATION
SCALE: 1/8" = 1'-0"



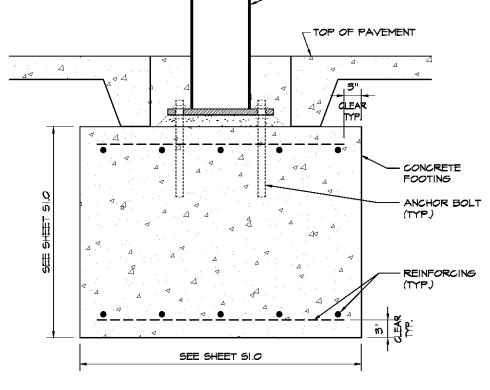
8 COLUMN/FOOTING DETAIL
SCALE: 1" = 1'-0"



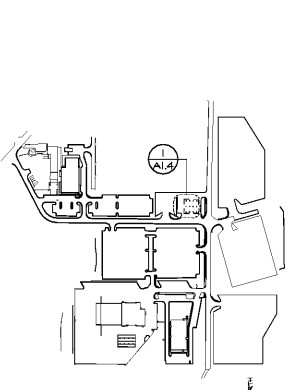
9 FASCIA SECTION
SCALE: 1/2" = 1'-0"



5 EAST ELEVATION
SCALE: 1/8" = 1'-0"



10 BOLLARD SECTION
SCALE: 1/2" = 1'-0"



SITE KEY PLAN

WWW.LDLINE.COM

Order Plans

PROJECT: 18-00000 ARCHITECT: RICHARDS, ARCHITECT, INC. MONROE, GEORGIA
NO. DATE REVISION
SOUTH TRANSPORTATION & MAINTENANCE FACILITY FACILITIES AND TRANSPORTATION SERVICES DEPARTMENT FULTON COUNTY, GEORGIA FULTON COUNTY BOARD OF EDUCATION
By Richards, Architect, Inc. ARCHITECT, INC. MONROE, GEORGIA
SHEET TITLE PROPANE FUEL CENTER CANOPY
DATE June 22, 2018
DRAWN BY CL / KT
SHEET A1.4
OF 11 STATUS FOR Proposal