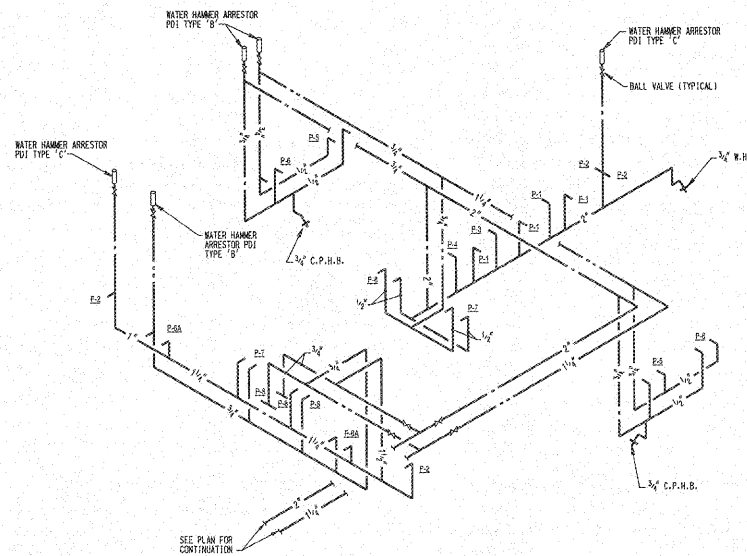
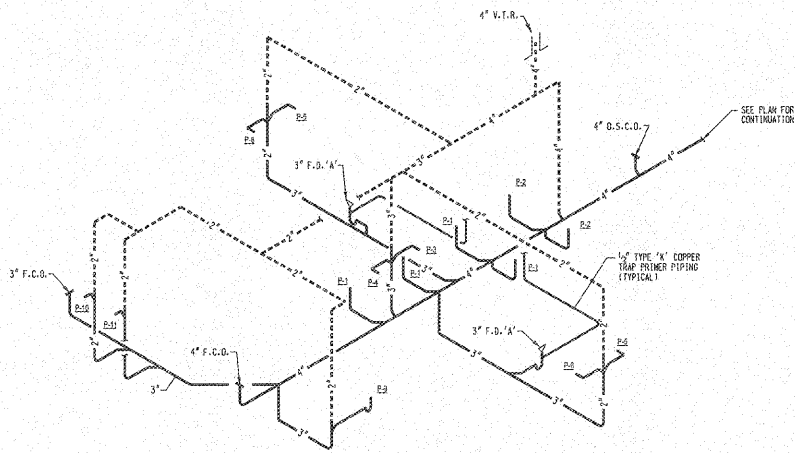


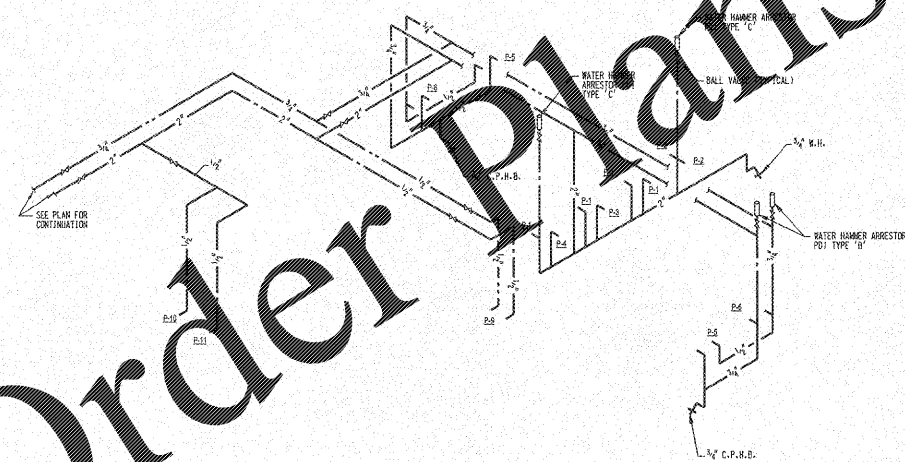
WASTE RISER NO. 1
SCALE: NONE



WATER RISER NO. 1
SCALE: NONE



WASTE RISER NO. 2
SCALE: NONE



WATER RISER NO. 2
SCALE: NONE

REVISIONS/ISSUANCES		
NO.	DATE	DESCRIPTION
1	02.12.18	ADDENDUM NO. 1
KEYPLAN		
<p>Manley Spangler Smith Architects A Professional Corporation</p> <p>325 East Taylor St. P.O. Box 6850 Grafton, Georgia 30224 Office 770.227.5473 Fax 770.225.3442</p>		
<p>PROJECT: RENOVATIONS, MODIFICATIONS, & ADDITIONS TO HENRY COUNTY SCHOOLS - GROUP 10 WOODLAND HIGH SCHOOL (ITEM C)</p> <p>CLIENT: HENRY COUNTY BOARD OF EDUCATION</p> <p>SHEET TITLE: PLUMBING RISERS</p>		
<p>ILI: 88 FYE: 1,087 FACILITY CODE: 675-0408 © 2018 Manley Spangler Smith Architects, P.C. PROJECT NUMBER: 2017310 DATE: 06.07.18 SCALE: NONE DRAWN BY: JAC CHECKED BY: JAC</p>		
<p>SHEET NO.: P301</p>		

Order Plans @ www.LDILine.com