

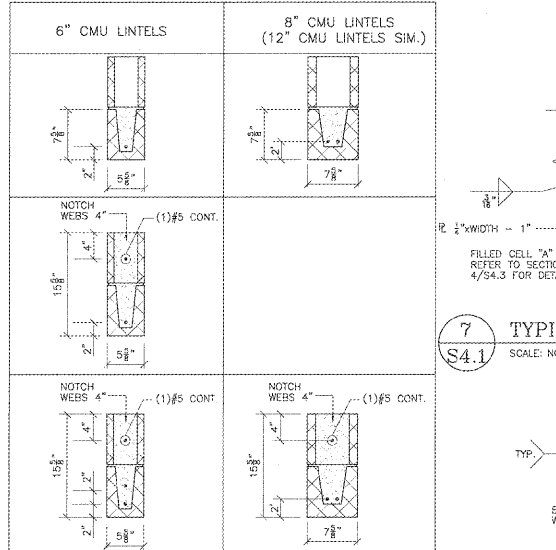
MASONRY WALL LINTEL SCHEDULE

OPENING WIDTH	STEEL LINTEL FOR EACH 4" WALL THICKNESS	MASONRY LINTELS LINTEL DEPTH AND REINFORCING **			
		DEPTH	4" WALL	6" WALL	12" WALL
2'-0"	1.6x3 1/2 S.L.V.	7 1/2"	(1) #4	(1) #4 BOT.	(2) #5 BOT.
2'-1"	1.6x3 1/2 S.L.V.	7 1/2"	(1) #4	(1) #4 BOT.	(2) #5 BOT.
3'-0"	1.6x4 1/2 S.L.V.	7 1/2"	(1) #4	(1) #5 BOT.	(2) #5 BOT.
3'-1"	1.6x4 1/2 S.L.V.	7 1/2"	(1) #4	(1) #5 BOT.	(2) #5 BOT.
4'-0"	1.6x6 S.L.V.	7 1/2"	(1) #5 BOT.	(2) #5 BOT.	(2) #6 BOT.
4'-1"	1.6x6 S.L.V.	7 1/2"	(1) #5 BOT.	(2) #5 BOT.	(2) #6 BOT.
5'-0"	1.6x6 S.L.V.	7 1/2"	(1) #5 BOT.	(2) #5 BOT.	(2) #6 BOT.
5'-1"	1.6x6 S.L.V.	7 1/2"	(1) #5 BOT.	(2) #5 BOT.	(2) #6 BOT.
6'-0"	1.6x6 S.L.V.	7 1/2"	(1) #5 BOT.	(2) #5 BOT.	(2) #6 BOT.
6'-1"	1.6x6 S.L.V.	7 1/2"	(1) #5 BOT.	(2) #5 BOT.	(2) #6 BOT.
7'-0"	1.6x6 S.L.V.	7 1/2"	(1) #5 BOT.	(2) #5 BOT.	(2) #6 BOT.
7'-1"	1.6x6 S.L.V.	7 1/2"	(1) #5 BOT.	(2) #5 BOT.	(2) #6 BOT.
8'-0"	1.6x6 S.L.V.	7 1/2"	(1) #5 BOT.	(2) #5 BOT.	(2) #6 BOT.
8'-1"	1.6x6 S.L.V.	7 1/2"	(1) #5 BOT.	(2) #5 BOT.	(2) #6 BOT.
9'-0"	1.6x6 S.L.V.	7 1/2"	(1) #5 BOT.	(2) #5 BOT.	(2) #6 BOT.
9'-1"	1.6x6 S.L.V.	7 1/2"	(1) #5 BOT.	(2) #5 BOT.	(2) #6 BOT.
10'-0"	1.6x6 S.L.V.	7 1/2"	(1) #5 BOT.	(2) #5 BOT.	(2) #6 BOT.
10'-1"	1.6x6 S.L.V.	7 1/2"	(1) #5 BOT.	(2) #5 BOT.	(2) #6 BOT.
11'-0"	1.6x6 S.L.V.	7 1/2"	(1) #5 BOT.	(2) #5 BOT.	(2) #6 BOT.
11'-1"	1.6x6 S.L.V.	7 1/2"	(1) #5 BOT.	(2) #5 BOT.	(2) #6 BOT.
12'-0"	1.6x6 S.L.V.	7 1/2"	(1) #5 BOT.	(2) #5 BOT.	(2) #6 BOT.
12'-1"	1.6x6 S.L.V.	7 1/2"	(1) #5 BOT.	(2) #5 BOT.	(2) #6 BOT.

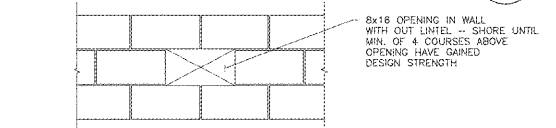
* 8" BEARING EACH END FOR STEEL ** 8" BEARING EACH END FOR U-BLOCK

NOTES:
 1. USE EITHER STEEL LINTEL OR MASONRY LINTEL (SEE ARCH. HEAD DETAILS)
 2. THIS SCHEDULE TO BE USED UNLESS NOTED OTHERWISE
 3. DO NOT USE THIS SCHEDULE IF CONCENTRATED LOAD IS APPLIED TO LINTEL
 4. DO NOT USE THIS SCHEDULE IF HEIGHT OF MASONRY ABOVE OPENING IS LESS THAN HALF OF THE OPENING WIDTH

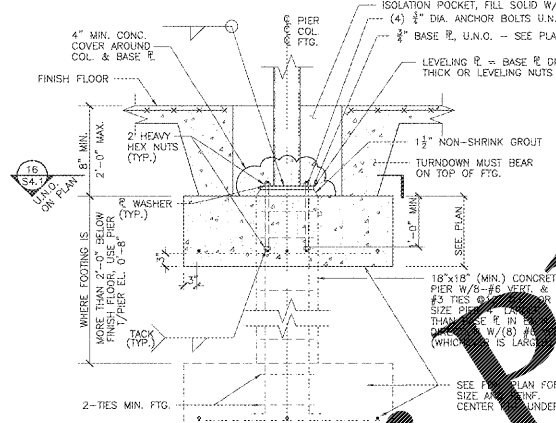
1 MASONRY WALL LINTEL SCHEDULE
 S4.1 SCALE: NONE



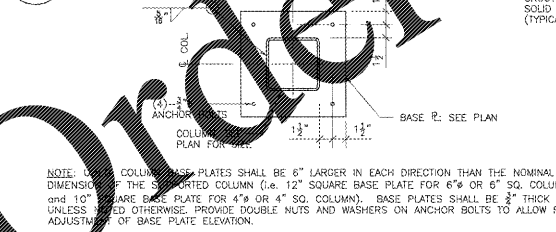
6 MASONRY WALL LINTEL SCHEDULE
 S4.1 SCALE: NONE



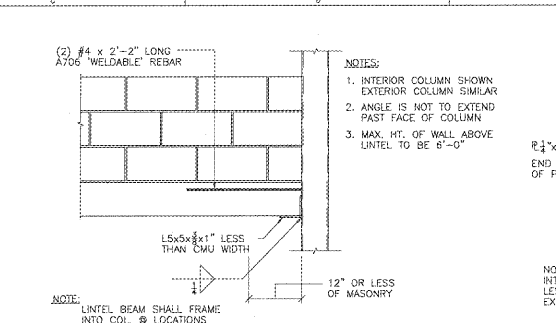
9 WALL OPENING
 S4.1 SCALE: NONE



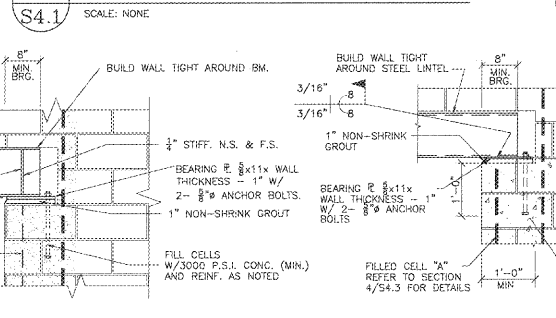
15 TYP. INT. COL., PIER AND FTG. DETAIL
 S4.1 SCALE: NONE



19 BASE PL. PLAN DETAIL
 S4.1 SCALE: NONE



2 TYP. MASONRY LINTEL TO STL. COL.
 S4.1 SCALE: NONE



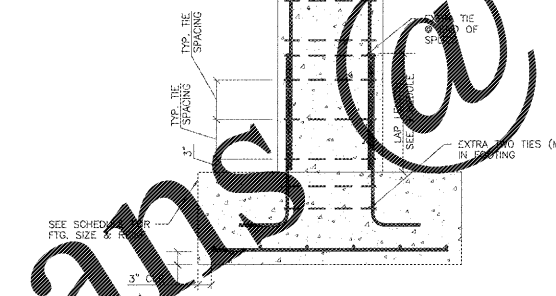
7 TYPICAL WIDE FLANGE LINTEL TO MASONRY WALL
 S4.1 SCALE: NONE



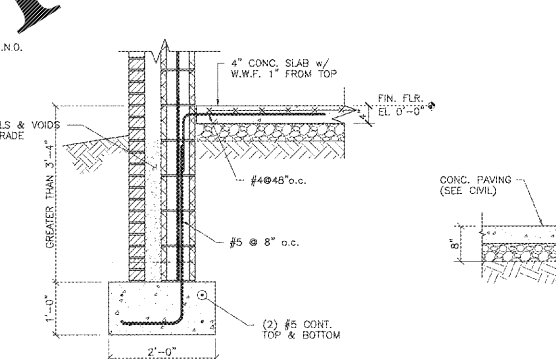
10 STEEL LINTEL BM. BRG. PARALLEL TO WALL
 S4.1 SCALE: NONE



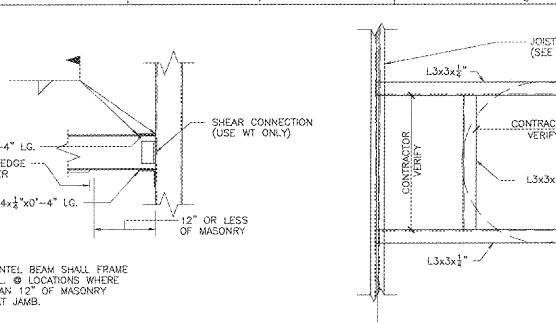
11 STEEL LINTEL BM. BRG. PERPENDICULAR TO WALL
 S4.1 SCALE: NONE



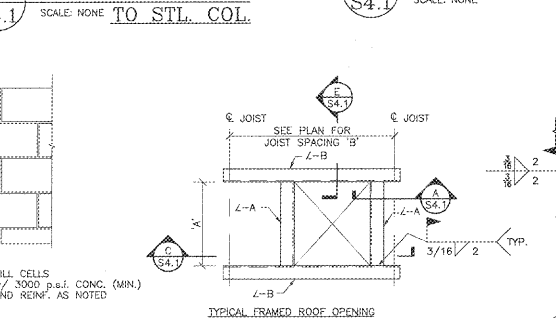
16 TYP. COL SPICE & ISOLATED FTG. DETAIL
 S4.1 SCALE: NONE



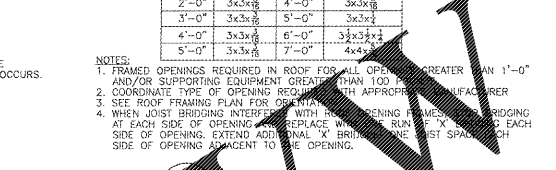
20 TYP. WALL @ LOWERED FOOTING
 S4.1 SCALE: 1/2" = 1'-0"



3 TYP. STEEL LINTEL TO STL. COL.
 S4.1 SCALE: NONE



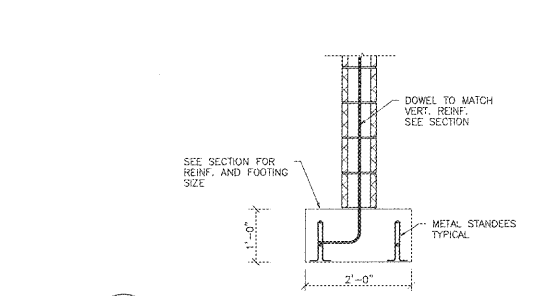
8 TYPICAL TUBE STEEL LINTEL TO MASONRY WALL
 S4.1 SCALE: NONE



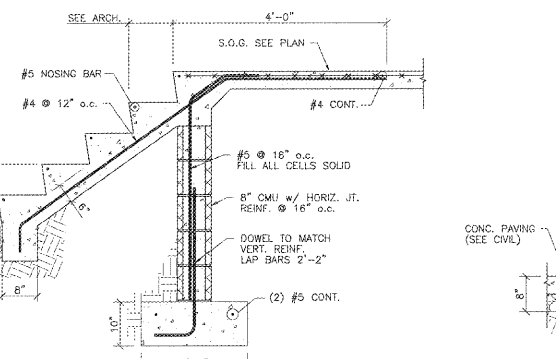
12 TYPICAL FRAMED ROOF OPENING DETAIL
 S4.1 SCALE: NONE



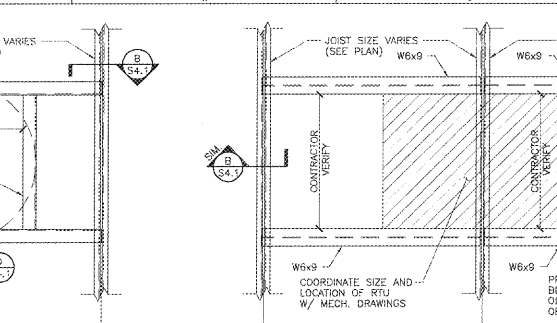
17 TYPICAL CONTINUOUS FOOTING REINF. DETAIL
 S4.1 SCALE: NONE



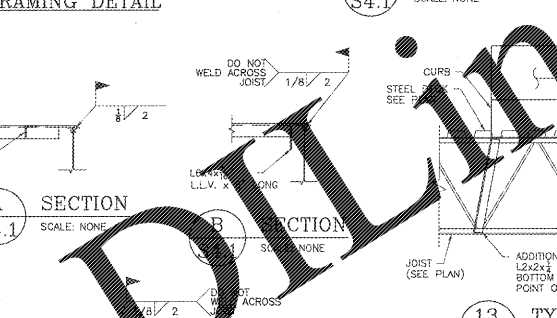
21 TYP. CONC. STAIRS ON GRADE
 S4.1 SCALE: NONE



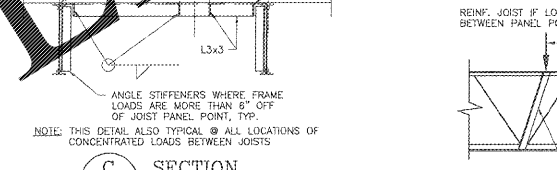
22 TYP. CONC. STAIRS ON GRADE
 S4.1 SCALE: NONE



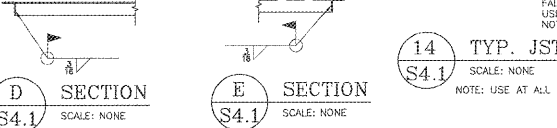
4 TYPICAL ROOF DRAIN SUPPORT FRAMING DETAIL
 S4.1 SCALE: NONE



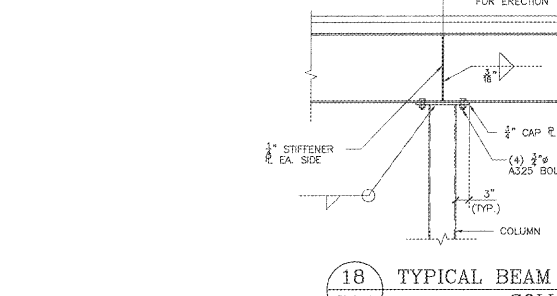
5 TYPICAL MECHANICAL UNIT SUPPORT FRAMING DETAIL
 S4.1 SCALE: NONE



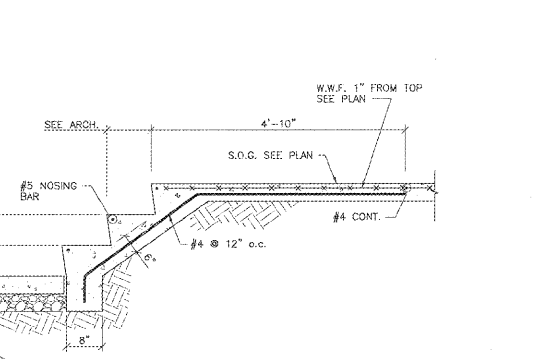
13 TYP. JST. REINFORCING AT ROOF CURB
 S4.1 SCALE: NONE



14 TYP. JST. REINFORCING
 S4.1 SCALE: NONE



18 TYPICAL BEAM SPICE & COLUMN DETAIL
 S4.1 SCALE: NONE



18 TYPICAL BEAM SPICE & COLUMN DETAIL
 S4.1 SCALE: NONE

REVISIONS/ISSUANCES

No.	DATE	DESCRIPTION
1	2.23.18	ADDENDUM #2

KEY PLAN

HAINES, GIPSON & ASSOCIATES
 Consulting Engineers
 1000 SOUTH BROAD ROAD
 LAWRENCEVILLE, GEORGIA 30046
 PHONE 770.962.1700 FAX 770.962.1705

GEORGIA REGISTERED PROFESSIONAL ENGINEER
 W. WALLACE GIPSON

STATE OF GEORGIA REGISTERED ARCHITECT
 W. WALLACE GIPSON

Manley Spangler Smith Architects
 A Professional Corporation
 525 East Taylor St.
 P.O. Box 809
 Griffin, Georgia 30224
 Office 770.227.5473
 Fax 770.228.3442

PROJECT: RENOVATIONS, MODIFICATIONS, & ADDITIONS TO HENRY COUNTY SCHOOLS-GROUP 10 WOODLAND HIGH SCHOOL (ITEM C)
 CLIENT: HENRY COUNTY BOARD OF EDUCATION

SHEET TITLE: SECTIONS AND DETAILS

© 2018 Manley Spangler Smith Architects, PC
 PROJECT NUMBER: 201731C
 DATE: 06.07.18
 SCALE: AS NOTED
 DRAWN BY: DAD
 CHECKED BY: RWG

SHEET NO.: **S4.1**