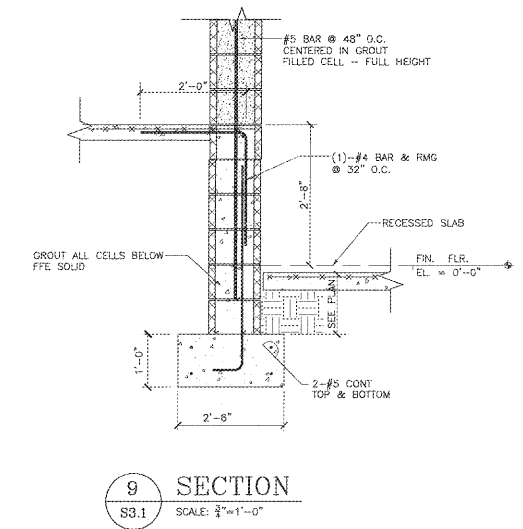
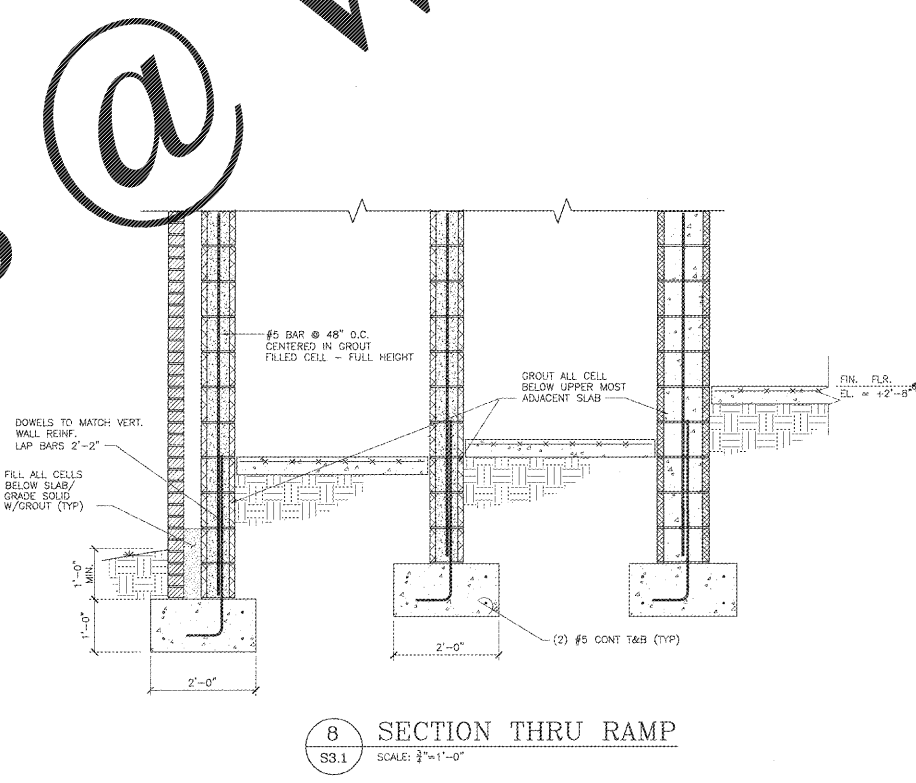
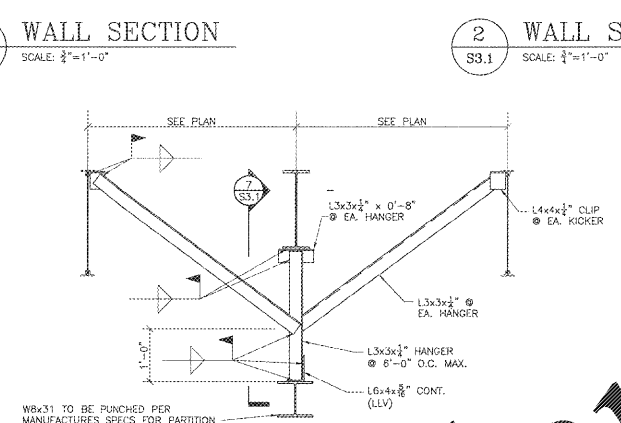
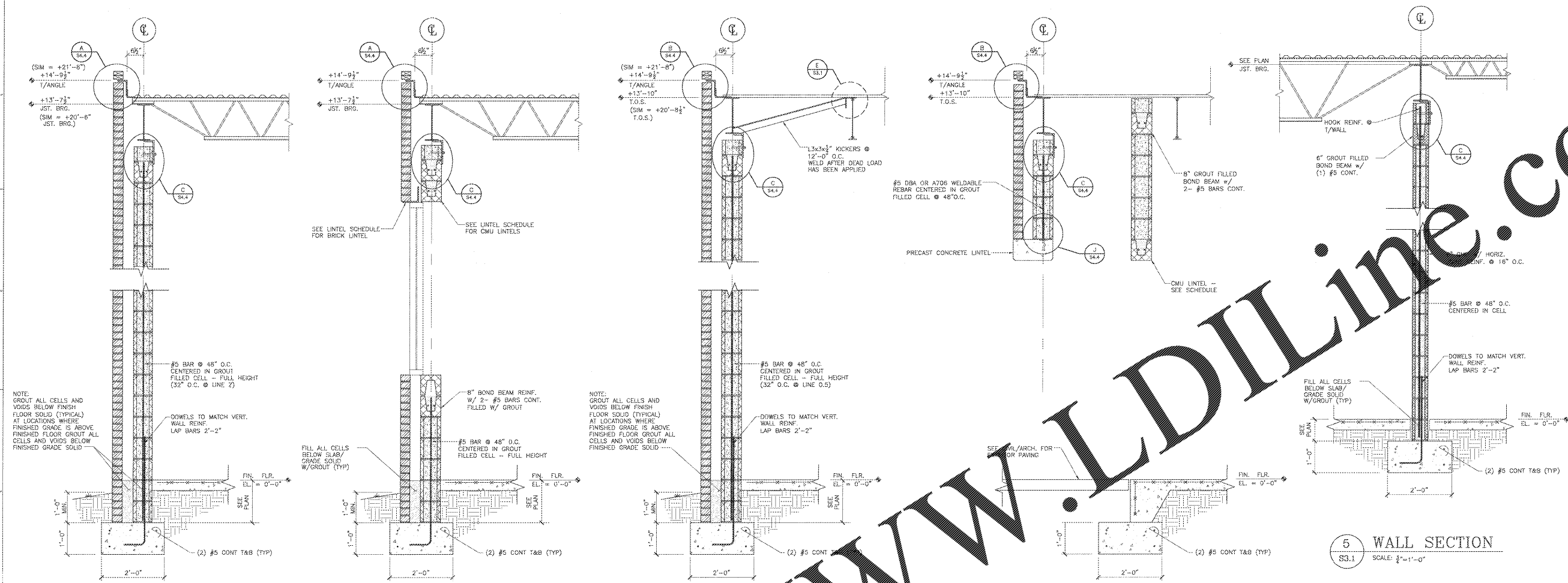


REVISIONS/ISSUANCES		
No.	DATE	DESCRIPTION



Order Plans @

WWW.LDILine.com

**HAINES, GIPSON & ASSOCIATES**  
Consulting Engineers  
1000 NORTH BIRNEY ROAD  
LAKEWOOD, GEORGIA 30024  
770.228.3442

STATE OF GEORGIA  
REGISTERED PROFESSIONAL ARCHITECT  
**Manley Spangler Smith Architects**  
A Professional Corporation

525 East Taylor St.  
P.O. Box 950  
Giffin, Georgia 30224  
Office 770.227.5473  
Fax 770.228.3442

PROJECT: RENOVATIONS, MODIFICATIONS, & ADDITIONS TO HENRY COUNTY SCHOOLS - GROUP 10 WOODLAND HIGH SCHOOL (ITEM C)  
CLIENT: HENRY COUNTY BOARD OF EDUCATION

SHEET TITLE: WALL SECTIONS

© 2016 Manley Spangler Smith Architects, PC  
PROJECT NUMBER: 2017131C  
DATE: 08.07.18  
SCALE: AS NOTED  
DRAWN BY: DAD  
CHECKED BY: RWG

SHEET NO.: S3.1