

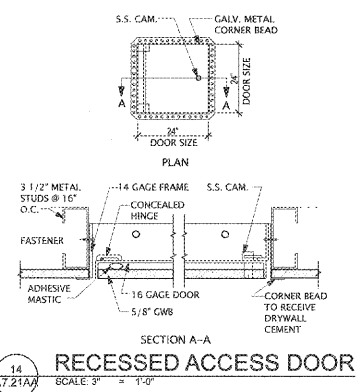
Manley Spangler Smith Architects
A Professional Corporation

525 East Taylor St.
P.O. Box 990
Gulfport, Georgia 30224
Office 770.227.5473
Fax 770.228.3442

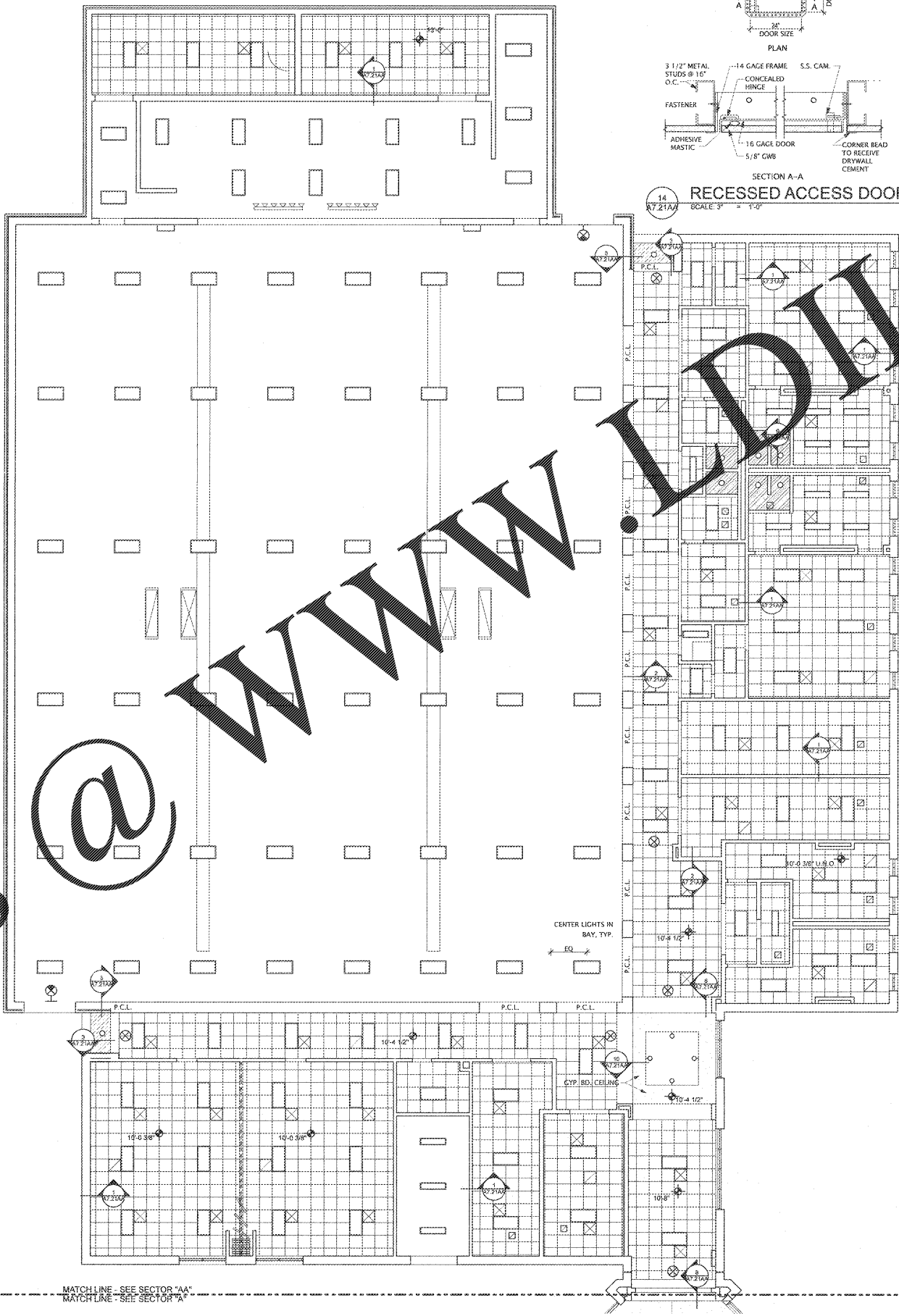
PROJECT:
RENOVATIONS,
MODIFICATIONS, &
ADDITIONS TO HENRY
COUNTY SCHOOLS -
GROUP 16
WOODLAND HIGH SCHOOL
(ITEM C)
CLIENT:
HENRY COUNTY BOARD
OF EDUCATION

SHEET TITLE:
REFLECTED CEILING
PLAN - SECTOR "AA"

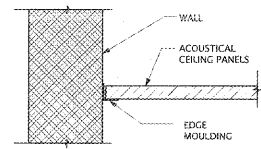
U.L. 87
F.T.E. 1.687
FACILITY CODE: 575-0408
© 2016 Manley Spangler Smith Architects, P.C.
PROJECT NUMBER: 2017131C
DATE: 06.07.18
SCALE: AS NOTED
DRAWN BY: JS
CHECKED BY: RV
SHEET NO.:
A7.21AA



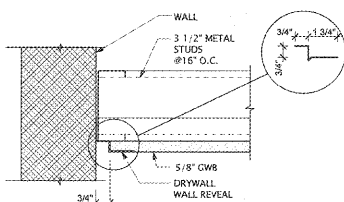
SECTION A-A
RECESSED ACCESS DOOR
SCALE: 3" = 1'-0"



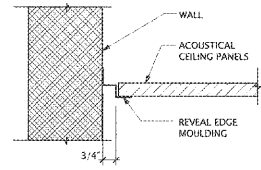
13 REFLECTED CEILING PLAN - SECTOR "AA"
SCALE: 1/8" = 1'-0"



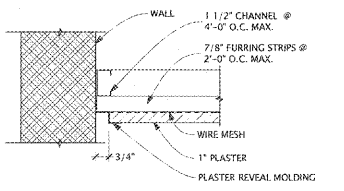
1 TYP. SECTION @ CLASSROOM
SCALE: 3" = 1'-0"



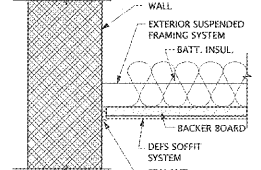
8 GYP. BD. REVEAL
SCALE: 3" = 1'-0"



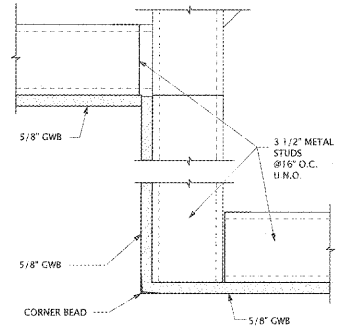
2 TYP. SECTION @ CORRIDOR
SCALE: 3" = 1'-0"



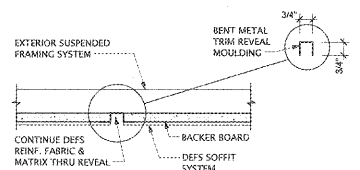
9 CEMENT PLASTER CEILING
SCALE: 3" = 1'-0"



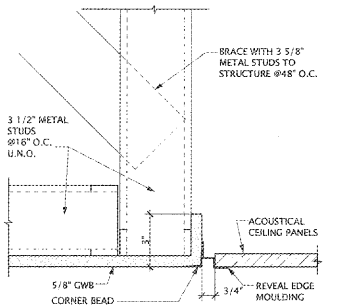
3 TYP. DEFS @ WALL SECTION
SCALE: 3" = 1'-0"



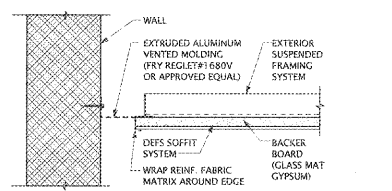
10 TYP. GWB DROP SOFFIT
SCALE: 3" = 1'-0"



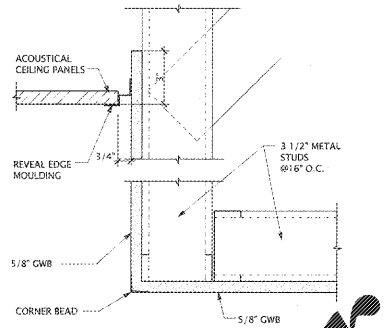
4 TYP. DEFS SOFFIT REVEAL
SCALE: 3" = 1'-0"



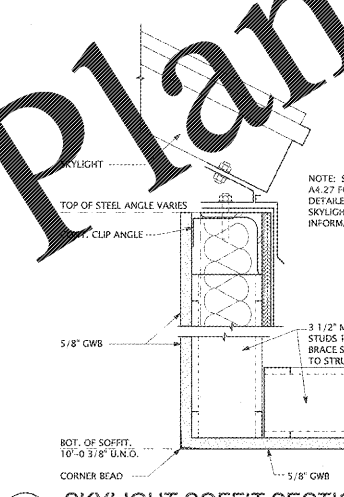
11 TYP. SOFFIT / ACOUST. CIG
SCALE: 3" = 1'-0"



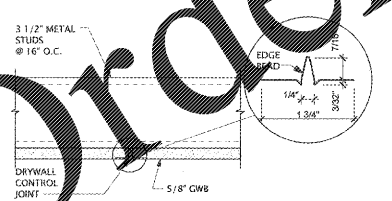
5 DEFS SOFFIT VENT DETAIL
SCALE: 3" = 1'-0"



6 APC DROP SOFFIT SECTION
SCALE: 3" = 1'-0"



12 SKYLIGHT SOFFIT SECTION
SCALE: 3" = 1'-0"



7 CONTROL JOINT IN GWB
SCALE: 3" = 1'-0"

Order Plans

MATCHLINE - SEE SECTOR "AA"
MATCHLINE - SEE SECTOR "A"

- LEGEND:**
- INDICATES CEILING HEIGHT
 - NEW 2' x 2' ACOUSTICAL CEILING PANELS W/ NEW GRID
 - NEW D.E.F.S. SOFFIT SYSTEM
 - NEW CEMENT PLASTER CEILING
 - NEW GYPSUM BOARD CEILING IN SECTORS AA, A, B, & C TO BE PAINTED IN ALL OTHER SECTORS
 - NEW 2' x 4' FL LIGHT FIXTURES IN SECTORS AA, A, B, & C WHERE NEW GRID IS INDICATED. EXT. FIXTURES IN ALL OTHER SECTORS.
 - EXIST. 1' x 4' SURFACE MTD. FL. LIGHT FIXTURE
 - NEW 1' x 4' FL LIGHT FIXTURE IN SECTORS AA, A, B, & C WHERE NEW GRID IS INDICATED. EXT. FIXTURES IN ALL OTHER SECTORS.
 - NEW EXIT SIGN IN SECTORS AA, A, B, & C WHERE NEW WORK IS INDICATED. EXT. SIGNS IN ALL OTHER SECTORS.
 - NEW RECESSED DOWNLIGHT IN SECTORS AA, A, B, & C WHERE NEW WORK IS INDICATED. EXT. FIXTURES IN ALL OTHER SECTORS.
 - P.C.L. PRECAST CONCRETE LINTEL
 - C.J. GYP. CLG. OR DEFS CONTROL JOINT
- GENERAL NOTES:**
- WHERE NEW GRID IS INSTALLED FINISH CEILING ELEVATION IS 10'-0 3/8" ABOVE FINISH FLOOR, UNLESS NOTED OTHERWISE. ALIGN BOTTOM OF THE WALL ANGLE WITH THE TOP OF THE MORTAR JOINT IN LIEU OF LEVEL WITH THE FLOOR.
 - CONTRACTOR SHALL COORDINATE ALL TRADES BEFORE INSTALLATION OF CEILING.
 - IN AREAS WHERE GRID REMAINS, ADJUST T'S AS NEEDED FOR NEW LIGHT LAYOUTS.
 - IN LOCATIONS TO RECEIVE NEW CEILING TILE, REINSTALL ALL EXISTING ITEMS LOCATED IN THE CEILING TILE INCLUDING BUT NOT LIMITED TO EXIT LIGHTS, SPRINKLER HEADS, SPEAKERS, CAMERAS, HVAC RETURN AIR GRILLS, & HVAC CEILING DIFFUSERS ETC. ADJUST SPRINKLER HEADS AND OTHER ITEMS AS NEEDED TO COORDINATE WITH NEW LIGHT LAYOUTS IN AREAS WITH NEW GRID.
 - SEE MECHANICAL DRAWINGS FOR NEW HVAC RETURN AIR GRILLS AND/OR HVAC CEILING DIFFUSERS.
 - WHEN EXPOSED STRUCTURE IS INDICATED AS "PAINTED", IT IS INTENDED TO INCLUDE THE ROOF DECK.
 - SEE FIRE PROTECTION, MECHANICAL AND ELECTRICAL DRAWINGS FOR ITEMS NOT INDICATED ON ARCHITECTURAL CEILING PLANS.
 - EXISTING AND NEW PENETRATIONS NEED TO BE SEALED FOR SMOKE AND/OR RATED PARTITIONS IN AREAS WHERE CEILING TILES ARE REPLACED AND/OR NEW.