

Manley Spangler Smith Architects
A Professional Corporation

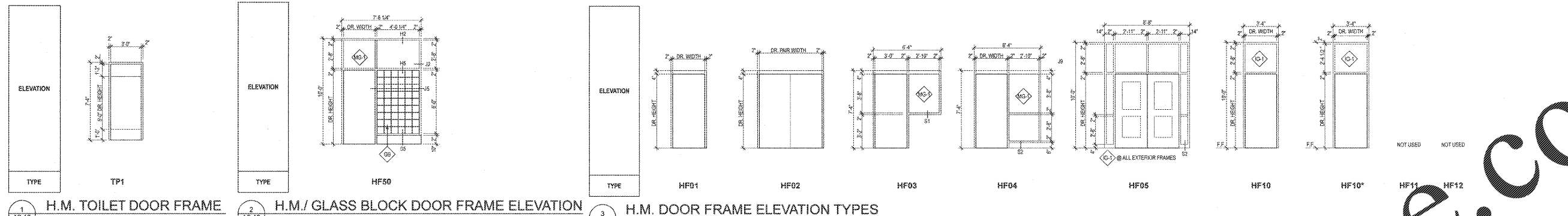
625 East Taylor St.
P.O. Box 890
Orlin, Georgia 30224
Office: 770.227.5473
Fax: 770.228.3442

PROJECT:
RENOVATIONS, MODIFICATIONS, & ADDITIONS TO HENRY COUNTY SCHOOLS - GROUP 10 WOODLAND HIGH SCHOOL (ITEM C)
CLIENT:
HENRY COUNTY BOARD OF EDUCATION

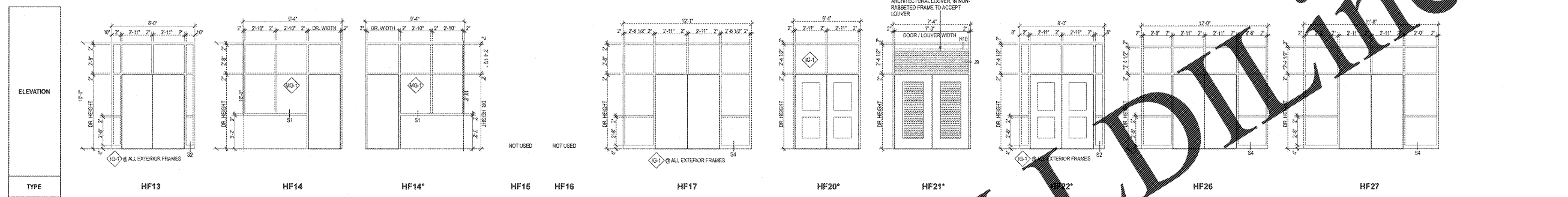
SHEET TITLE:
HOLLOW METAL & ALUMINUM FRAME TYPE ELEVATIONS & DETAILS

DATE: 08.07.18
SCALE: AS NOTED
DRAWN BY: JS
CHECKED BY: RV

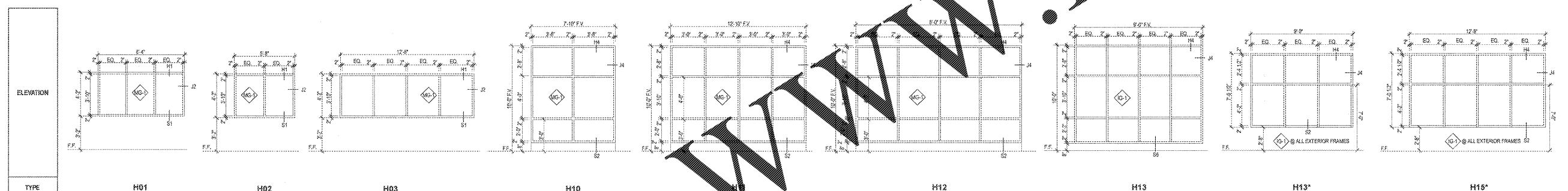
SHEET NO.: **A2.12**



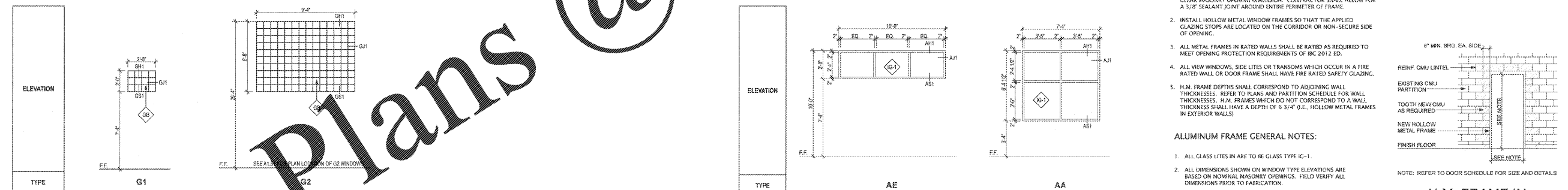
1 H.M. TOILET DOOR FRAME SCALE: 1/4"=1'-0"
2 H.M./GLASS BLOCK DOOR FRAME ELEVATION SCALE: 1/4"=1'-0"
3 H.M. DOOR FRAME ELEVATION TYPES



11 H.M. DOOR FRAME ELEVATION TYPES SCALE: 1/4"=1'-0"
* NOTE: TOP OF WINDOW TO BE SET AT -4'-0" BELOW MAIN LEVEL FIN. FLR. ELEVATION. ACTUAL DIMENSION TO TOP OF WINDOW IS DEPENDENT UPON F.F.E. OF LOWER LEVEL.



12 H.M. WINDOW ELEVATION TYPES SCALE: 1/4"=1'-0"
* NOTE: TOP OF WINDOW TO BE SET AT -4'-0" BELOW MAIN LEVEL FIN. FLR. ELEVATION. ACTUAL DIMENSION TO TOP OF WINDOW IS DEPENDENT UPON F.F.E. OF LOWER LEVEL.



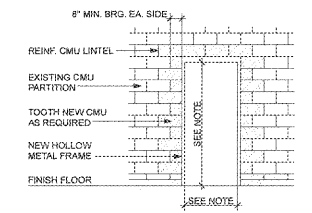
13 GLASS BLOCK WINDOW ELEVATION TYPES SCALE: 1/4"=1'-0"
10 ALUMINUM STOREFRONT ELEVATION TYPES SCALE: 1/4"=1'-0"

HOLLOW METAL FRAME GENERAL NOTES:

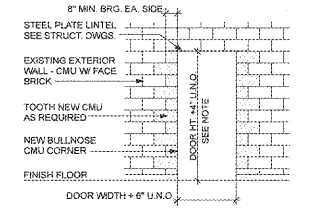
- 1. OVERALL FRAME DIMENSIONS ON EXTERIOR FRAMES REPRESENT THE CLEAR MASONRY OPENING DIMENSION. CONTRACTOR SHALL ALLOW FOR A 3/8" SEALANT JOINT AROUND ENTIRE PERIMETER OF FRAME.
- 2. INSTALL HOLLOW METAL WINDOW FRAMES SO THAT THE APPLIED GLAZING STOPS ARE LOCATED ON THE CORRIDOR OR NON-SECURE SIDE OF OPENING.
- 3. ALL METAL FRAMES IN RATED WALLS SHALL BE RATED AS REQUIRED TO MEET OPENING PROTECTION REQUIREMENTS OF IBC 2012 ED.
- 4. ALL VIEW WINDOWS, SIDE LITES OR TRANSOMS WHICH OCCUR IN A FIRE RATED WALL OR DOOR FRAME SHALL HAVE FIRE RATED SAFETY GLAZING.
- 5. H.M. FRAME DEPTHS SHALL CORRESPOND TO ADJOINING WALL THICKNESSES. REFER TO PLANS AND PARTITION SCHEDULE FOR WALL THICKNESSES. H.M. FRAMES WHICH DO NOT CORRESPOND TO A WALL THICKNESS SHALL HAVE A DEPTH OF 6 3/4" (I.E., HOLLOW METAL FRAMES IN EXTERIOR WALLS).

ALUMINUM FRAME GENERAL NOTES:

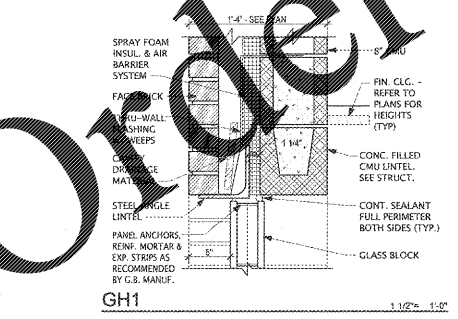
- 1. ALL GLASS LITES IN ARE TO BE GLASS TYPE IG-1.
- 2. ALL DIMENSIONS SHOWN ON WINDOW TYPE ELEVATIONS ARE BASED ON NOMINAL MASONRY OPENINGS. FIELD VERIFY ALL DIMENSIONS PRIOR TO FABRICATION.
- 3. ALL EXPOSED CMU CORNERS SHALL BE BULLNOSE.
- 4. SEE LINTEL SCHEDULE ON STRUCTURAL DRAWINGS FOR EXACT CONFIGURATION OF STEEL, PRECAST OR CMU LINTELS.



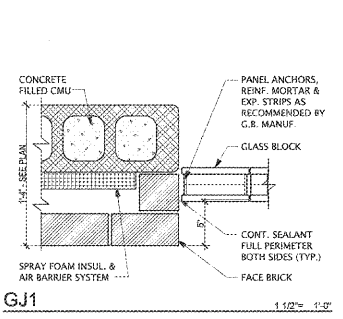
1 H.M. FRAME IN EXIST. CMU WALL SCALE: 1/4"=1'-0"



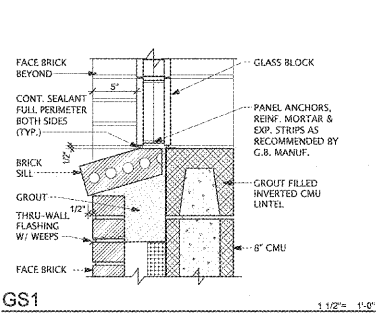
2 MAS. OPNG. IN EXIST. EXT. MASONRY WALL SCALE: 1/4"=1'-0"



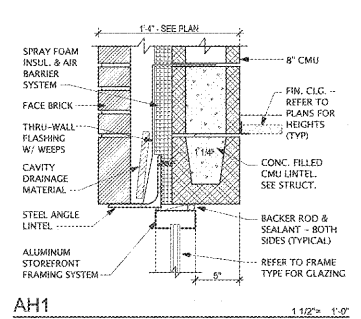
GH1 1 1/2\"/>



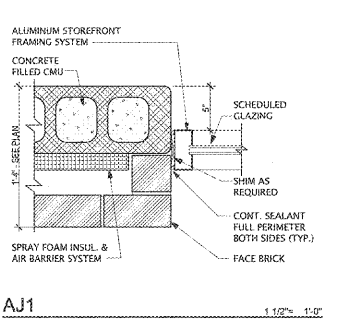
GJ1 1 1/2\"/>



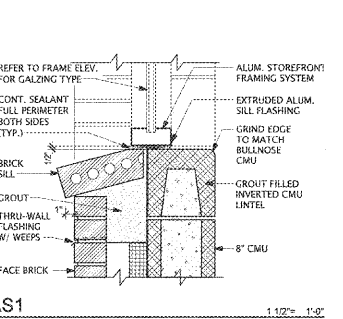
GS1 1 1/2\"/>



AH1 1 1/2\"/>



AJ1 1 1/2\"/>



AS1 1 1/2\"/>

Order Plans @

WWW.DIline.com