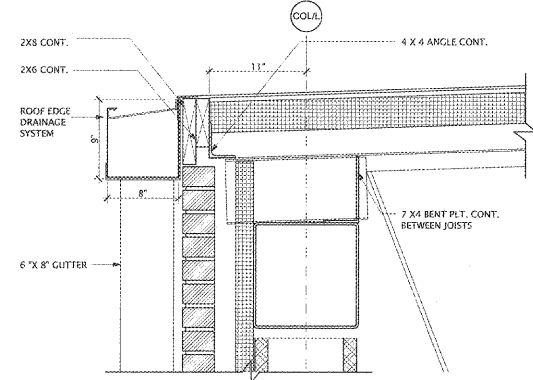
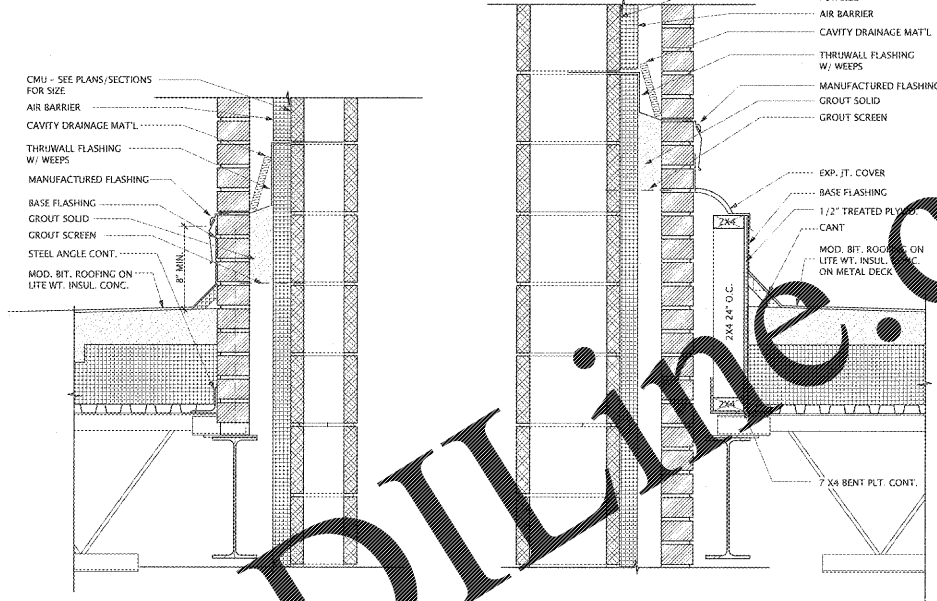


9 NEW TO EXIST
SCALE: 1 1/2" = 1'-0"

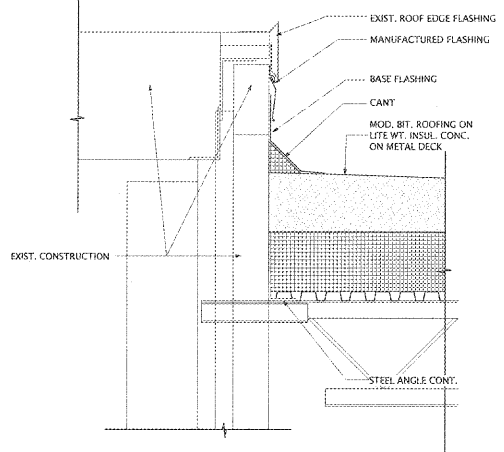


1 GYM GUTTER
SCALE: 1 1/2" = 1'-0"

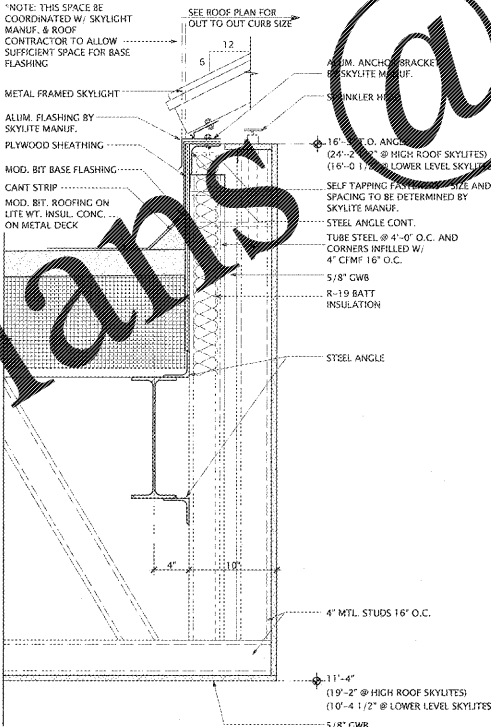


2 ROOF TO WALL 1
SCALE: 1 1/2" = 1'-0"

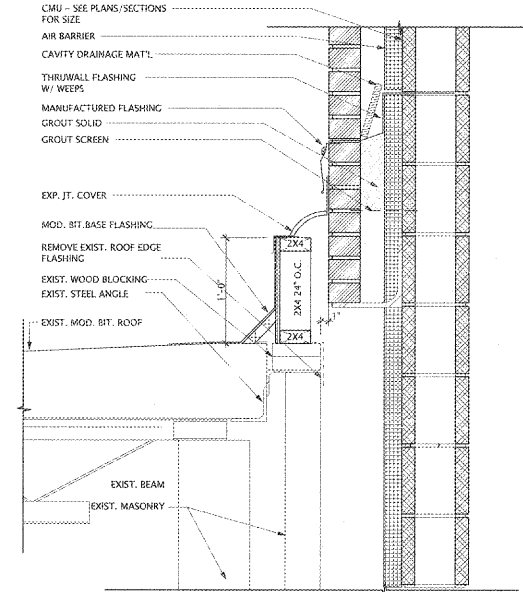
3 ROOF TO WALL 2
SCALE: 1 1/2" = 1'-0"



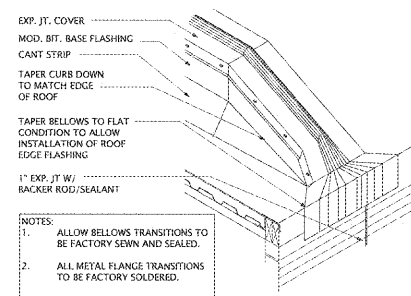
10 NEW TO EXIST 6
SCALE: 1 1/2" = 1'-0"



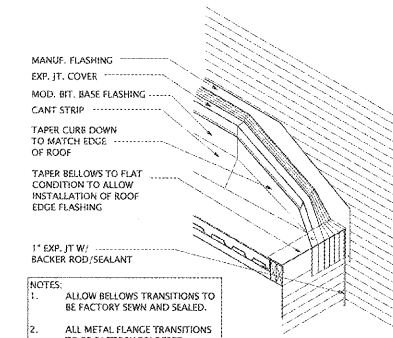
8 D-ROOF 1 1/2 SKYLITE
SCALE: 1 1/2" = 1'-0"



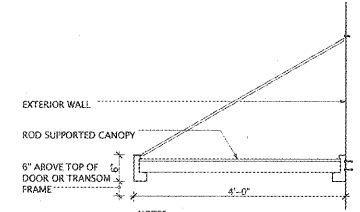
4 D-ROOF 1 1/2 ROOF TO WALL 4
SCALE: 1 1/2" = 1'-0"



5 E.J. TERMINATION 1
NOT TO SCALE



6 E.J. TERMINATION 2
NOT TO SCALE



7 ROD SUPPORTED CANOPY
SCALE: 3/4" = 1'-0"

REVISIONS / ISSUANCES

NO.	DATE	DESCRIPTION

KEYPLAN

Manley Spangler Smith Architects
A Professional Corporation

525 East Taylor St.
P.O. Box 800
Gresham, Georgia 30224
Office 770.227.5473
Fax 770.228.5442

PROJECT:
RENOVATIONS, MODIFICATIONS, & ADDITIONS TO HENRY COUNTY SCHOOLS - GROUP 10 WOODLAND HIGH SCHOOL (ITEM C)

CLIENT:
HENRY COUNTY BOARD OF EDUCATION

SHEET TITLE:
ROOF DETAILS

U.L. 87
F.T.E. 1.687
FACILITY CODE: 675-048
© 2018 Manley Spangler Smith Architects, PC
PROJECT NUMBER: 201731C
DATE: 06.07.18
SCALE: AS NOTED
DRAWN BY: JS
CHECKED BY: RV

SHEET NO.
A1.53

Order Plans @

WWW.LDILINE.COM