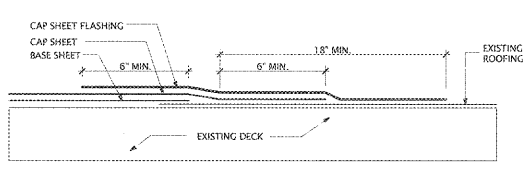
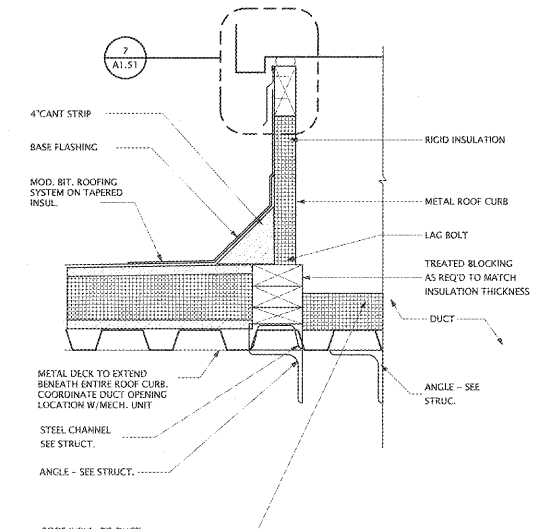


3
A1.51
DOWNSPOUT ANCHOR
SCALE: 3" = 1'-0"

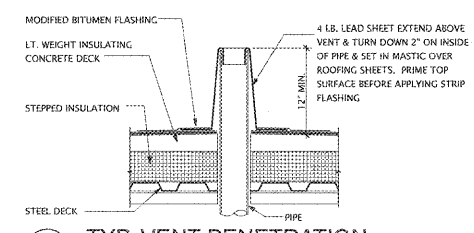


4
A1.51
ROOF TIE-IN DETAIL
SCALE: 3" = 1'-0"

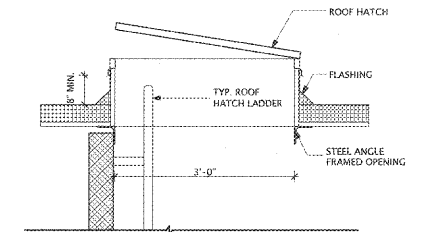
NOTE:
1. GRAVEL SURFACES SHALL BE SPOOLED, BLISTERS REPAIRED AND IRREGULARITIES REMOVED PRIOR TO TIE-IN
2. PRIME EXISTING ROOF PRIOR TO TIE-IN



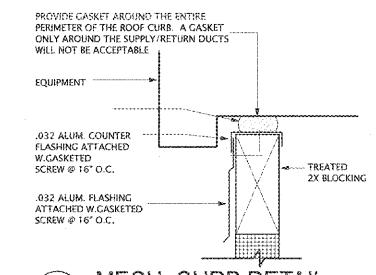
5
A1.51
TYP. MECH CURB
SCALE: 3" = 1'-0"



6
A1.51
TYP. VENT PENETRATION
SCALE: 1 1/2" = 1'-0"



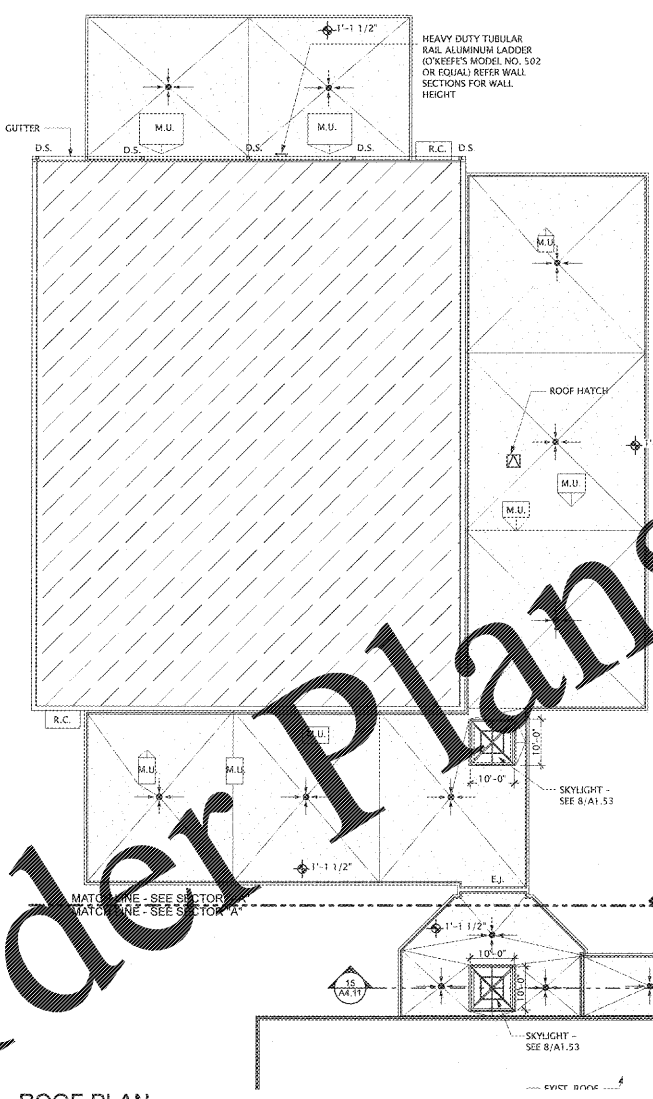
8
A1.51
ROOF HATCH
SCALE: 3/4" = 1'-0"



7
A1.51
MECH. CURB DETAIL
SCALE: 6" = 1'-0"

ROOF PLAN LEGEND	
[Pattern]	MODIFIED BITUMEN ROOFING ON LIGHTWEIGHT CONC. ROOF DECK
[Pattern]	MODIFIED BITUMEN ROOFING ON COVER BOARD ON 3" RIGID INSULATION ON METAL DECK. SEE STRUCT. FOR METAL DECK TYPE
[Pattern]	EXISTING ROOF SYSTEM
M.U.	MECHANICAL UNIT
←	SLOPE DOWN
○	ROOF
D.S.	DOWNSPOUT
E.J.	EXPANDED JOINT
R.C.	ROOF SUPPORTED CANOPY
[Pattern]	ROOF SYSTEM THICKNESS ABOVE METAL DECK

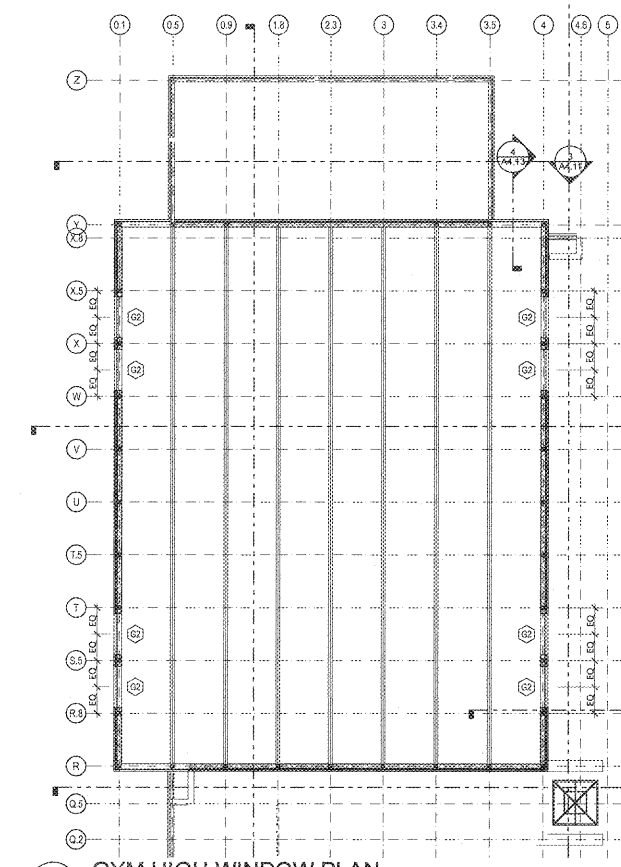
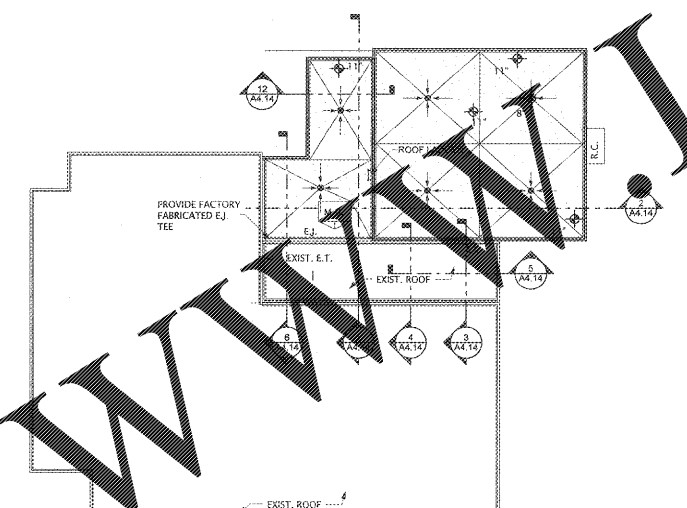
- NOTES:
1. PROVIDE ONE METAL SPLASH PAN FOR EACH DOWNSPOUT LOCATED AT HIGH TO LOW ROOF AREAS.
 2. PROVIDE CRICKETS WHERE REQUIRED AT ROOF EQUIPMENT
 3. ALL ROOF PENETRATIONS ARE NOT SHOWN ON ROOF PLAN. REFER TO MECHANICAL AND PLUMBING DRAWINGS FOR ADDITIONAL EQUIPMENT, ROOF PENETRATIONS ETC.
 4. MINIMUM ROOF SLOPE SHALL BE 1/4" PER FOOT.
 5. MINIMUM ROOFING SYSTEM THICKNESS ABOVE DECK AT ROOF DRAINS SHALL BE 6"
 6. INCREASE SYSTEM THICKNESS AT ROOF DRAIN TO MAINTAIN ROOF SLOPE RESTRICTIONS.
 7. SEE ELEVATIONS FOR LOCATIONS OF DOWN SPOUTS



1
A1.51
ROOF PLAN
SCALE: 1/16" = 1'-0"

Order Plans @

WWW.LDILINE.COM



2
A1.51
GYM HIGH WINDOW PLAN
SCALE: 1/16" = 1'-0"

REVISIONS/ISSUANCES

NO.	DATE	DESCRIPTION

KEY PLAN

STATE OF GEORGIA
REGISTERED ARCHITECT

Manley Spangler Smith Architects
A Professional Corporation

525 East Taylor St.
P.O. Box 980
Orlin, Georgia 30224
Office 770.227.5473
Fax 770.228.3442

PROJECT:
RENOVATIONS, MODIFICATIONS, & ADDITIONS TO HENRY COUNTY SCHOOLS - GROUP 10 WOODLAND HIGH SCHOOL (ITEM C)

CLIENT:
HENRY COUNTY BOARD OF EDUCATION

SHEET TITLE:
ROOF PLAN & DETAILS

LL: 57
P.T.E.: 1.587
FACILITY CODE: 678-0408
© 2018 Manley Spangler Smith Architects, PC
PROJECT NUMBER: 201731C
DATE: 06.07.18
SCALE: AS NOTED
DRAWN BY: JS
CHECKED BY: RV

SHEET NO.
A1.51