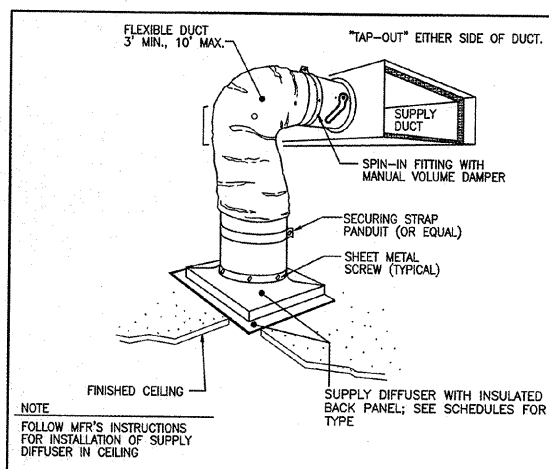
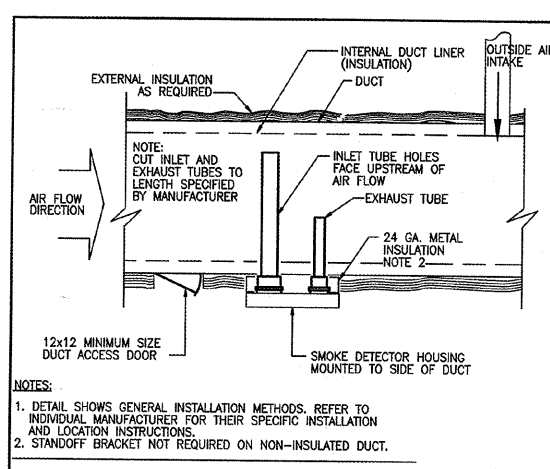


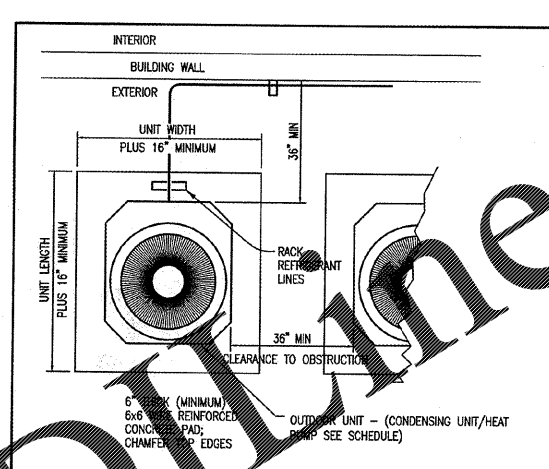
CEILING MOUNTED EXHAUST FAN **1**



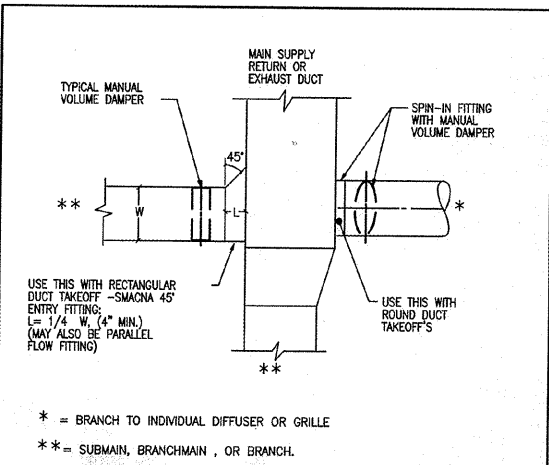
DUCTWORK CONNECTION TO CEILING SUPPLY DIFFUSER (FLEX DUCT) **2**



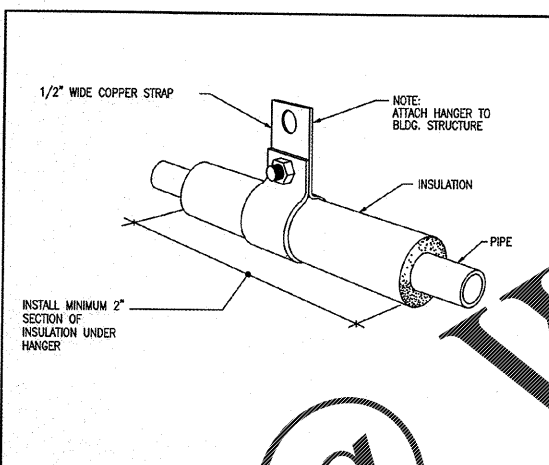
DUCT MOUNTED SMOKE DETECTOR **3**



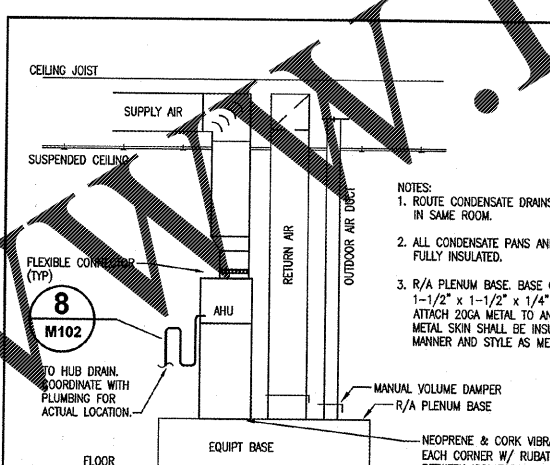
OUTDOOR UNIT INSTALLATION **4**



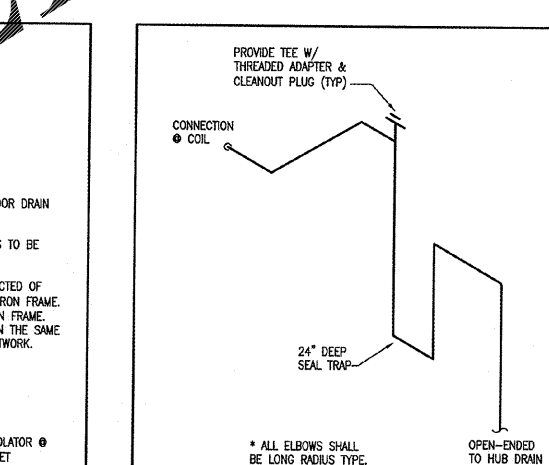
LOW PRESSURE DUCT VOLUME DAMPER REQUIREMENTS **5**



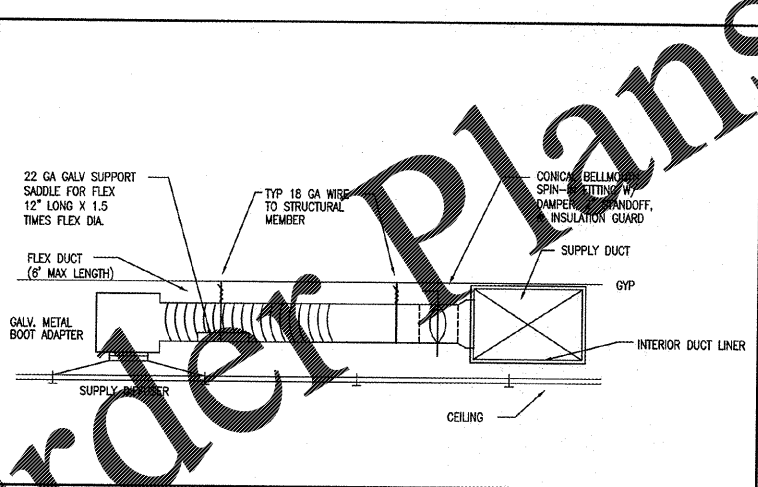
REFRIGERANT PIPING HANGER **6**



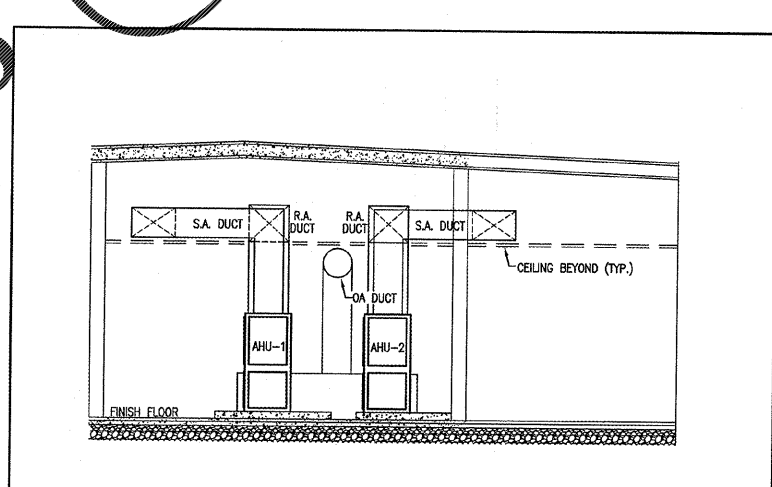
AHU INSTALLATION DETAIL **7**



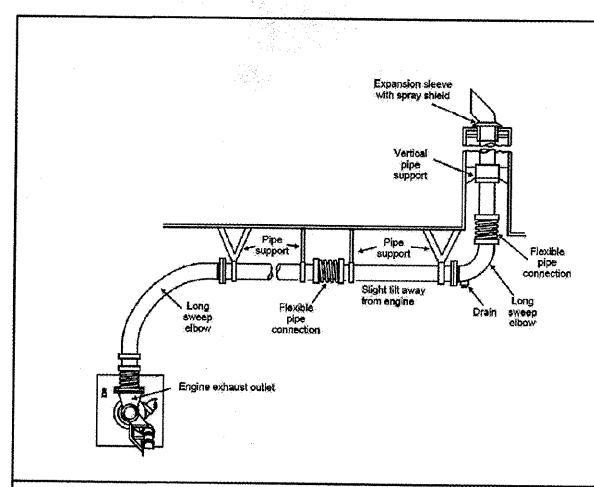
CONDENSATE DRAIN PIPING **8**



DIFFUSER TAKE-OFF DETAIL **9**

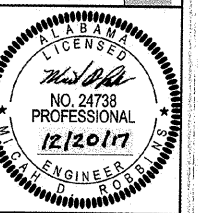


ELEVATION VIEW OF AHU INSTALLATION **10**



EXHAUST PIPING TYPICAL INSTALLATION **11**

SENTLELL
ENGINEERING SURVEYING
CIVIL - STRUCTURAL - ENVIRONMENTAL - SURVEYING
659 Black Bears Way, Phone (205) 752-5564
Tuscaloosa, AL 35401
www.sentlell.net



JEFFERSON COUNTY
FULTONDALE STORM SHELTER
FULTONDALE, ALABAMA

DESCRIPTION:	
DATE:	
NO.:	
HVAC DETAILS	
DATE:	12-20-17
JOB NO.:	15-211
SHEET:	M102

ROBBINS
Engineering Company, LLC
5945 Knight Ave, Suite B, Tuscaloosa, Alabama 35405
Phone (205) 391-7065
http://www.robbins.com

VERIFY SCALES
BAR IS ONE INCH
OR ORIGINAL, ETC.
IF NOT ONE INCH
ON THIS SHEET
ADJUST SCALE
ACCORDINGLY

RECC Project# 17016

Order Plans