

Owner
 SBLM PROPERTIES
 307 Newship Road, Suite 116
 Mount Laurel, NJ 08054
 Telephone (856) 780-4460
 Fax

Architect
 SBLM Architects
 11430 N. Kendall Drive, Suite 310
 Miami, FL 33176
 Telephone 305 412 9187
 Fax 305 412 6731
 www.sblm.com

Consultants
 Civil
 Langan Engineering

Structural
 Bliss & Nytray, Inc.

Electrical/Mechanical/Plumbing
 B&K Engineering Group

Revisions/Issues

06/21/18 PERMIT SET

Key Plan

Seal

James L. Cohen AR0015903
 Project Title
 SOUTHERN PALM CROSSING
 BUILDING SHELL
 11001-11161 Southern Blvd.
 Royal Palm Beach, FL 33411

Job Number 017512.00
 Drawing
 MECHANICAL PLAN
 Scale AS SHOWN
 Drawing Date 05/16/18

Drawing No.

M3.1
 Sheet 0f

ROOFTOP UNIT SCHEDULE (SPECIFIED BY TENANT PROVIDED BY LANDLORD)

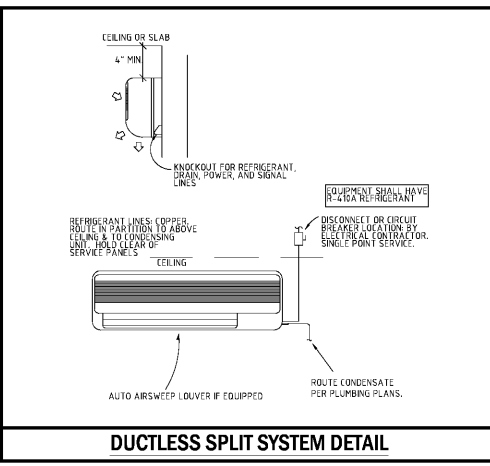
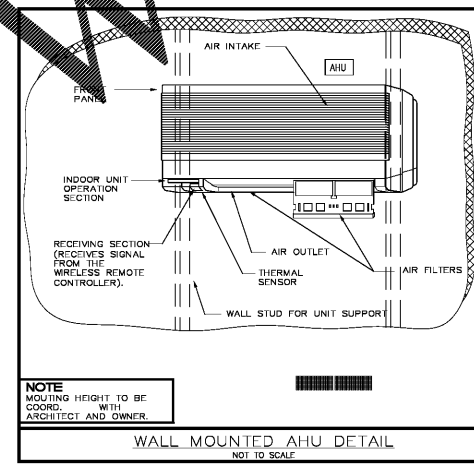
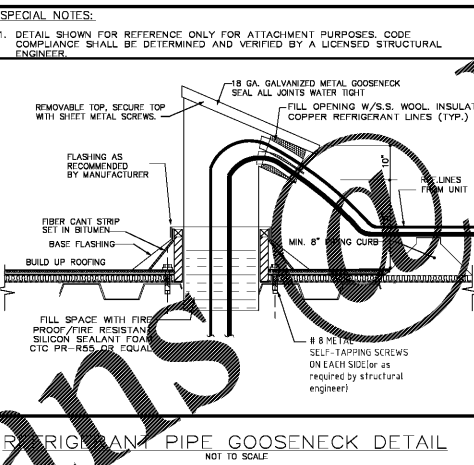
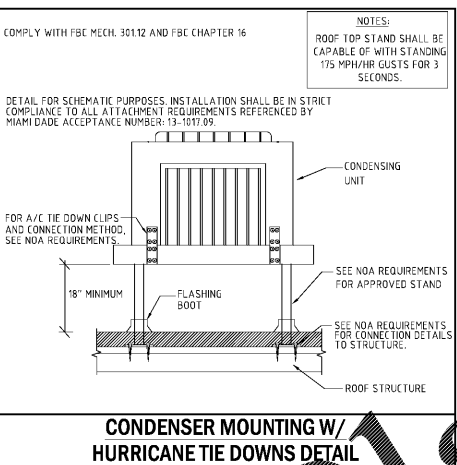
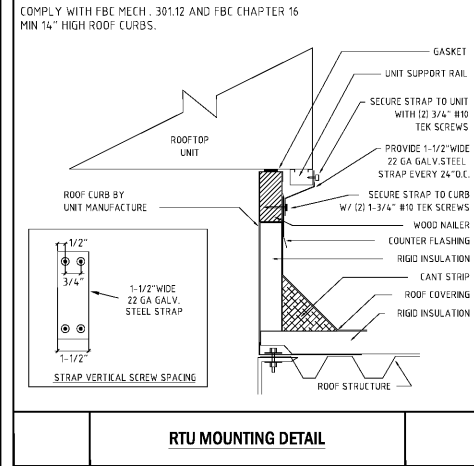
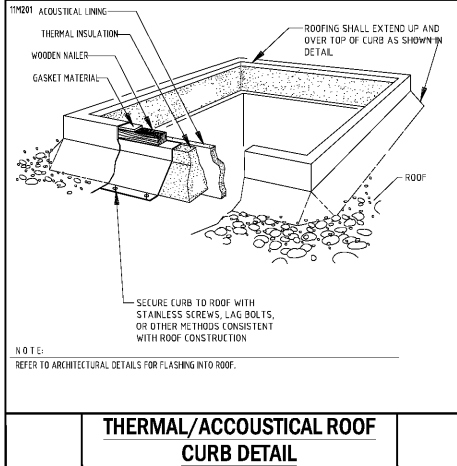
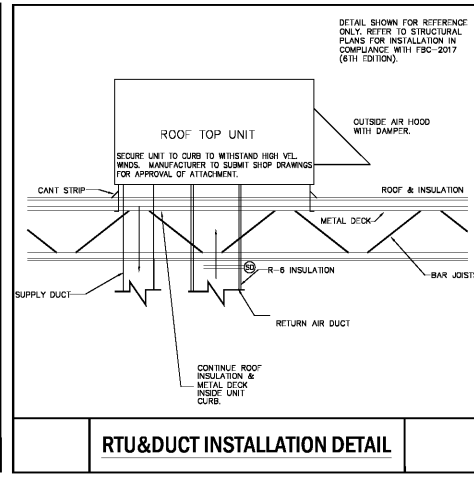
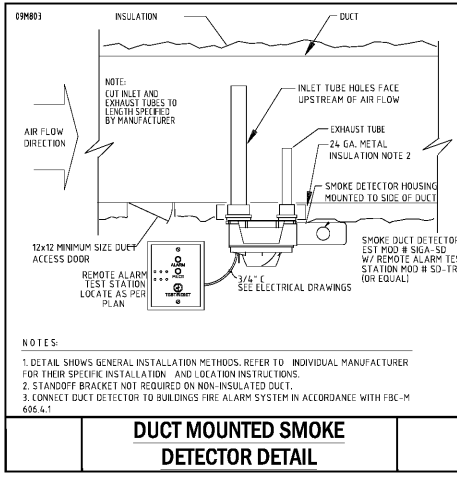
MARK		RTU-1B	RTU-2B	RTU-3B	RTU-1A,2A
COOLING CAPACITY	BTUH	100,000	100,000	142,000	94,000
SENSIBLE CAPACITY	BTUH	65,315	65,315	93,267	65,000
ENTRING COIL TEMP DB/WB	F/F	80/67	80/67	80/67	80/67
SUPPLY AIR	CFM	3,400	3,400	5,000	3,000
OUTSIDE AIR	CFM	300	300	600	300
EVAPORATOR EXTERNAL S.P.	IN. H2O	1.00	1.00	1.25	1.00
EVAPORATOR FAN	HP	2.0	2.0	5.0	3
ELECTRIC HEATER	KW/STEP	15.0/1	15.0/1	15.0/1	6.8/1
NUMBER OF COMPRESSORS		2	2	3	2
CONDENSING TEMPERATURE	°F	95	95	95	95
FILTERS		2" THROWAWAY	2" THROWAWAY	2" THROWAWAY	2" THROWAWAY
STEPS OF CAPACITY		2	2	2	2
COMPRESSORS	No. - RLA	1-22.0	1-22.0	1-42.0	1-11.9
		1-22.0	1-22.0	1-42.0	1-11.9
ELECTRICAL	V/ø/HZ	208/3/60	208/3/60	208/3/60	208/3/60
EER/PLV	BTU/KW	12.4/12.9	12.4/12.9	11.2/13.1	11.5
WEIGHT	LBS	1,220	1,110	1,385	910
LOCATION		SEE PLAN	SEE PLAN	SEE PLAN	SEE PLAN
MANUFACTURER		LENNOX	LENNOX	LENNOX	TEMPMASTER
MODEL		LEH152HAB	LEH152HAB	LEH150H4M	ZU107
NOTES		-	-	-	-
UNIT BREAKER SIZE (MCA/MOCP)	AMPS	45/50	45	710/90	38/45

A/C EQUIPMENT NOTES:
 1) VERIFY ALL A/C ELECTRICAL REQUIREMENTS WITH MANUFACTURERS SPEC. PRIOR TO INSTALLATION.
 2) PROVIDE R-410A REFRIGERANT
 3) PROVIDE DISCONNECTING MEANS AT UNIT
 4) PROVIDE 7 DAY DIGITAL PROGRAMMABLE 1-STAT LENNOX COMFORT-SENSE 7500.
 5) PROVIDE BLOWER TYPE MSAV.
 6) PROVIDE BLOWER TYPE MSAV.
 7) PROVIDE LUVATA OR ADVANCED FIELD APPLIED CONDENSER COIL COATING.
 8) PROVIDE WITH LENNOX HUMIDITROL DEHUMIDIFICATION SYSTEM.
 9) PROVIDE WITH SMOKE DETECTORS IN BOTH SUPPLY AND RETURN.
 10) PROVIDE WITH MOTORIZED DAMPER AND SINGLE POINT OF CONNECTION.

MINI SPLIT AIR HANDLING UNIT SCHEDULE

INDOOR UNIT NO.	OUTDOOR UNIT NO.	MFG.	CONDENSING UNIT MODEL NO.	AIR HANDLER UNIT MODEL NO.	SEASIDE MSH	HEATING MSH	TOTAL CFM L/H/H	SEER/ HSPF	SUCTION & LIQUID LINES	V/ø/HZ	CONDENSING UNIT MIN. AMPACITY	CONDENSING UNIT MAX. FUSE	AIR HANDLER UNIT MIN. AMPACITY	AIR HANDLER UNIT MAX. FUSE
AHU-1	CU-1	DAIKIN	FXA40A4	PLA-A12BA4	12.4	9.4	350-400	14.2/ 9.8	1/2" & 1/4"	208/1/60	13	15	INDOOR UNIT RECEIVES POWER FROM OUTDOOR UNIT THROUGH FIELD SUPPLIED INTERCONNECTED WIRING.	

A/C EQUIPMENT NOTES:
 1) VERIFY ALL A/C ELECTRICAL REQUIREMENTS WITH MANUFACTURERS SPEC. PRIOR TO INSTALLATION.
 2) PROVIDE R-410A REFRIGERANT
 3) PROVIDE DISCONNECTING MEANS AT AHU
 4) PROVIDE 7 DAY DIGITAL PROGRAMMABLE 1-STAT WITH NIGHT SET-BACK, THERMISTAT OR EQUIV.
 5) REFRIGERANT LINE SIZE BASED ON 0-100 FT. TOTAL EQUIVALENT LENGTH. SEE MANUFACTURER FOR LONGER LENGTHS.
 6) COOLING CAPACITY BASED ON 75°F DB, 63°F WB.
 7) INCLUDE HIGH-EFFICIENCY, VARIABLE SPEED FAN MOTOR.
 8) CONTRACTOR TO PROVIDE QUOTES FOR EQUIVALENT EQUIPMENT.



Order Plans