

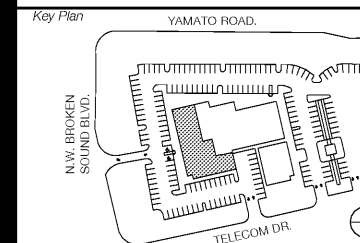
STRUCTURE PROPERTIES
 107 Fellowship Road, Suite 116
 Mount Laurel, NJ 08054
 Telephone (856) 780-4460
 Fax

Architect
SBLM Architects
 11430 N. Kendall Drive, Suite 310
 Miami, FL 33176
 Telephone 305 412 9187
 Fax 305 412 6731
 www.sblm.com

Consultants
 Civil
Langan Engineering
 Structural
Bliss & Nyitray, Inc.
 Electrical/Mechanical/Plumbing

Revisions/Issues

06/21/18 PERMIT SET



Seal

Lazaro Alfonso, P.E. FL Reg. No.: 69782

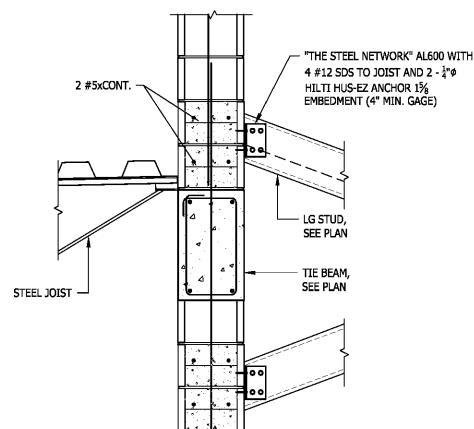
Project Title
SOUTHERN PALM CROSSING
 BUILDING SHELL
 11001-11161 Southern Blvd.
 Royal Palm Beach, FL 33411

Job Number 017512.00 - 17M32

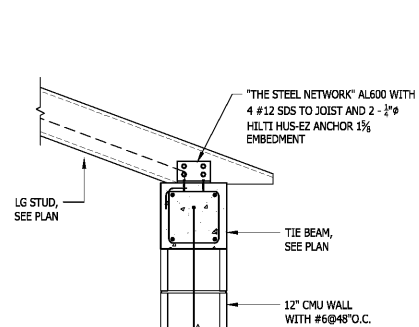
Drawing
ROOF DETAILS

Scale 3/4" = 1'-0"
 Drawing Date 06/21/18

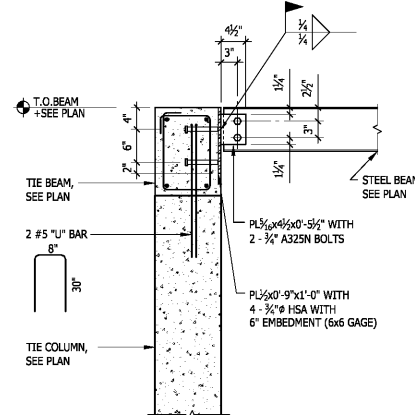
Drawing No.



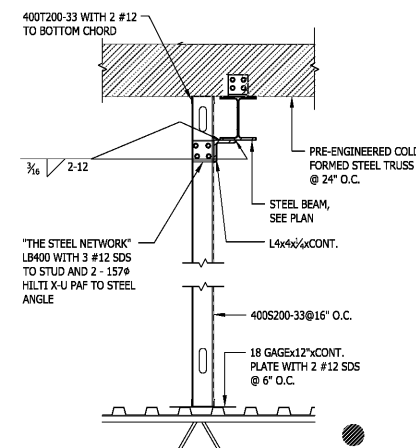
1 LG STUD TO BOND BEAM



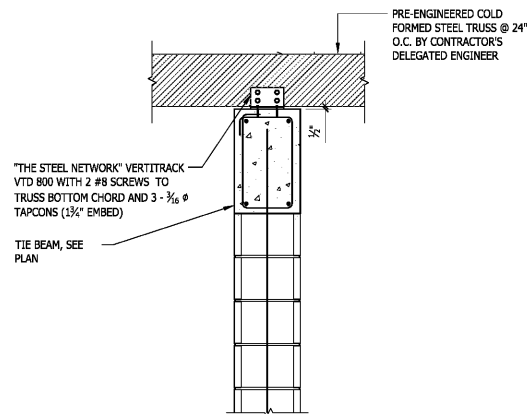
2 LG STUD TO TIE BEAM



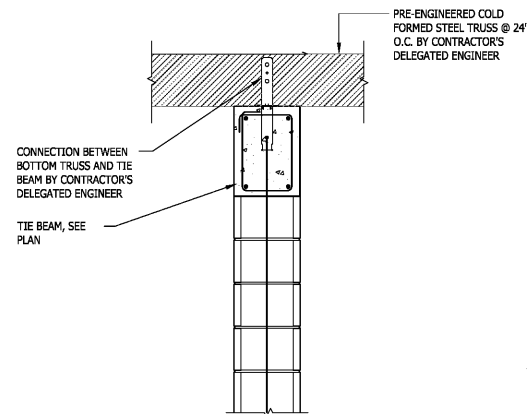
3 STEEL BEAM TO TIE BEAM



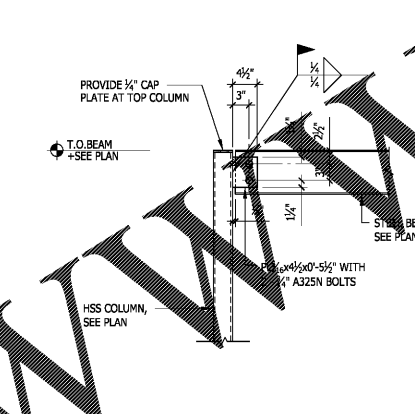
4 TOWER DETAIL



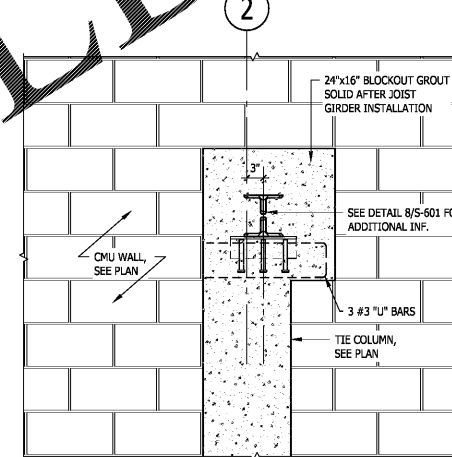
5 BOTTOM CHORD LATERAL BRACING



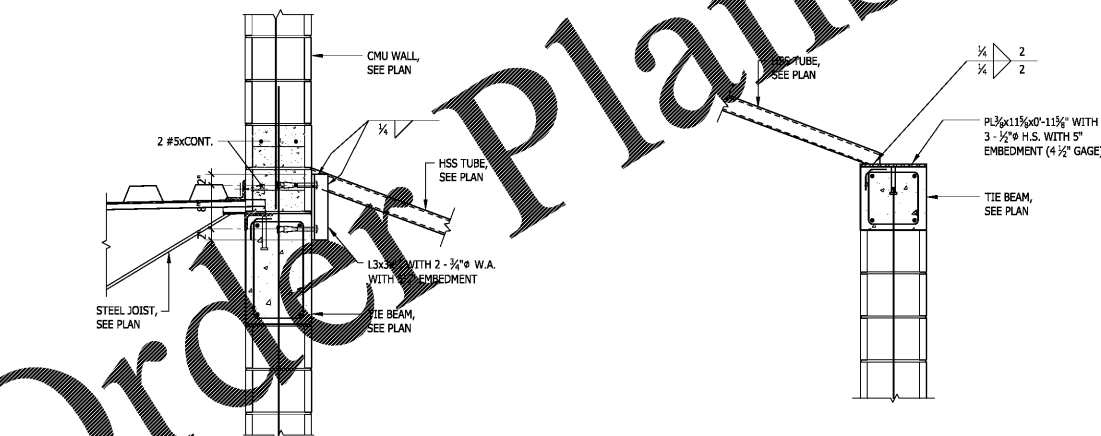
6 BOTTOM CHORD SUPPORT DETAIL



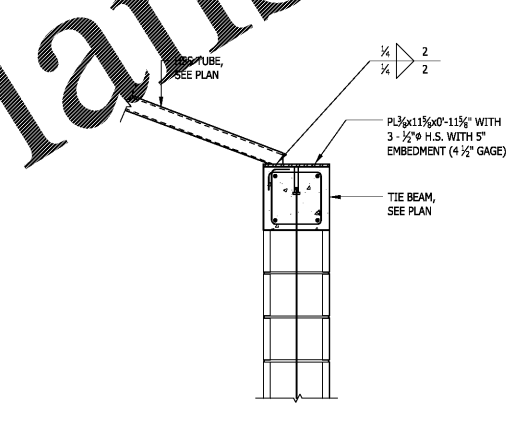
7 STEEL BEAM TO HSS COLUMN



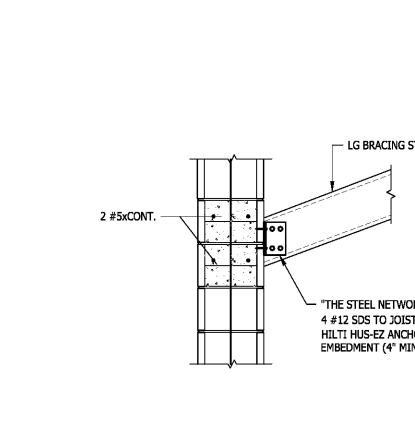
8 JOIST GIRDER TO TIE COLUMN AT COLUMN OFFSET



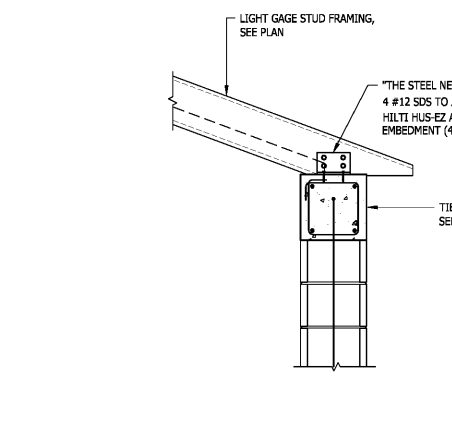
9 HSS TO CMU WALL



10 HSS TO TIE BEAM



11 LG STUD BRACING DETAIL



12 LG STUD TO TIE BEAM

Order Plans @

WWW.LDILine.com