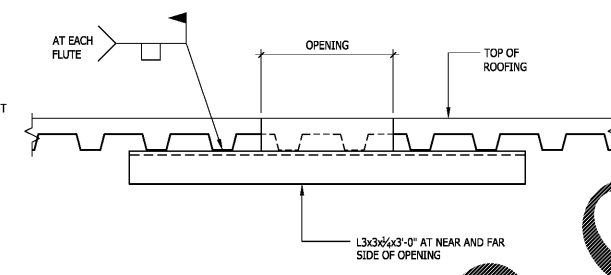
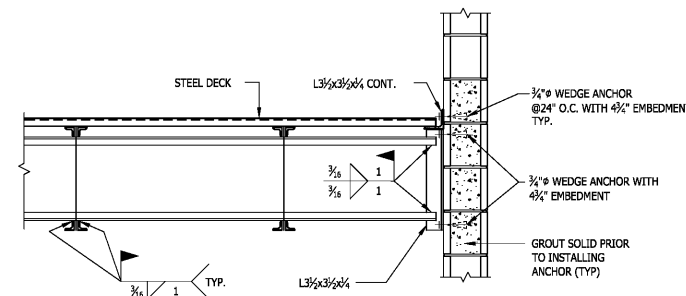
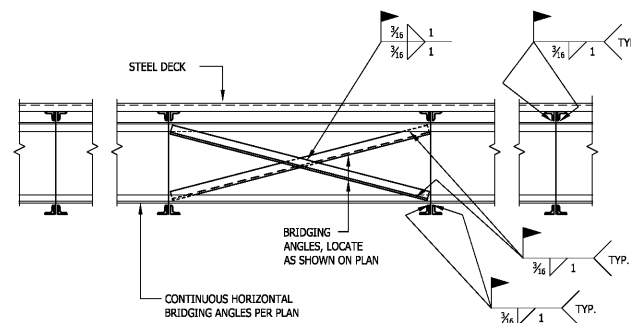


NOTE:

DECK ATTACHMENT IS DESIGNED FOR PROJECT UPLIFT & DIAPHRAGM LOADS. CONTRACTOR SHALL VERIFY THAT DECK GAUGE & ATTACHMENT ARE IN CONFORMANCE WITH THE SELECTED ROOFING MOA (NOTICE OF ACCEPTANCE).

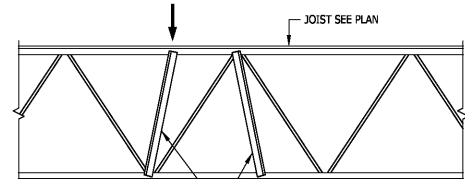
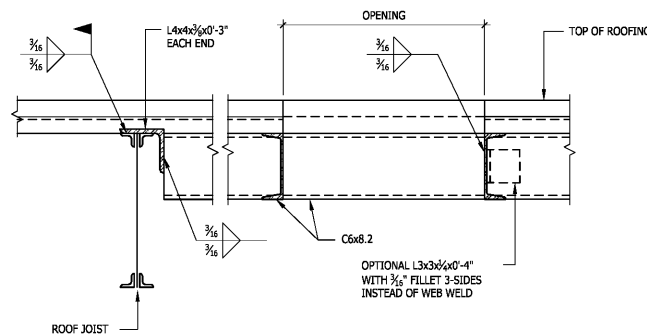


1 ROOF DECK ATTACHMENT
 1 1/2\"/>

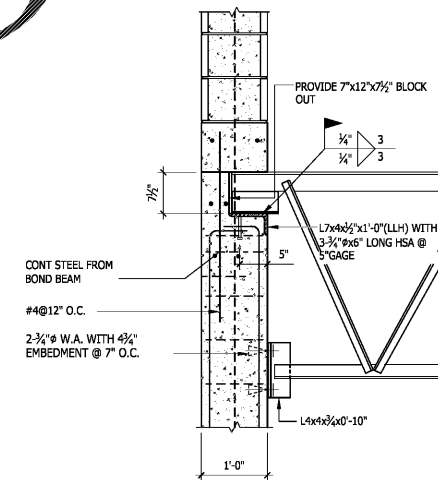
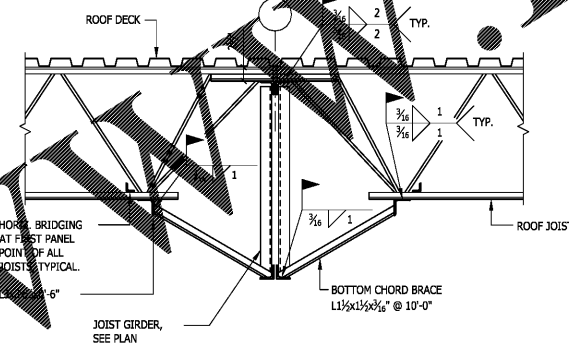
2 CONTINUOUS HORIZONTAL BRIDGING DETAIL
 WITH CROSS BRIDGING

3 CONT. HORIZ BRIDGING-END DETAIL

4 ROOF OPENING DETAIL
 ROOF OPENING NOT EXCEEDING 12\"/>



PROVIDE JOIST REINFORCEMENT AT ALL LOCATIONS WHERE CONCENTRATED LOAD OF OVER 100LBS IS NOT OCCURRING AT PANEL POINTS.

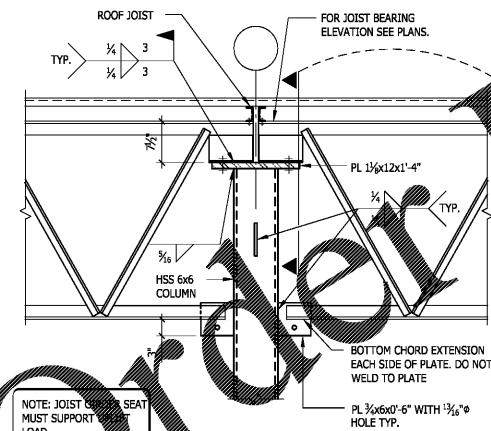


5 ROOF OPENING DETAIL
 OPENINGS EXCEEDING 1'-0\"/>

6 JOIST REINFORCEMENT DETAIL

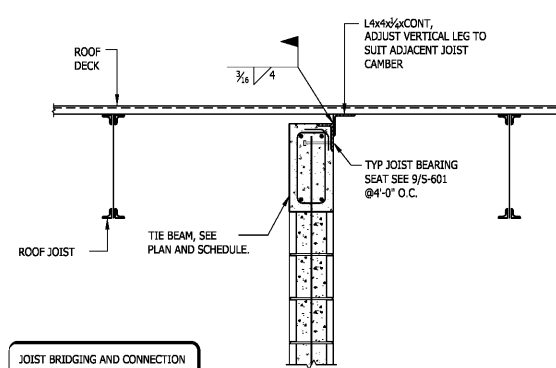
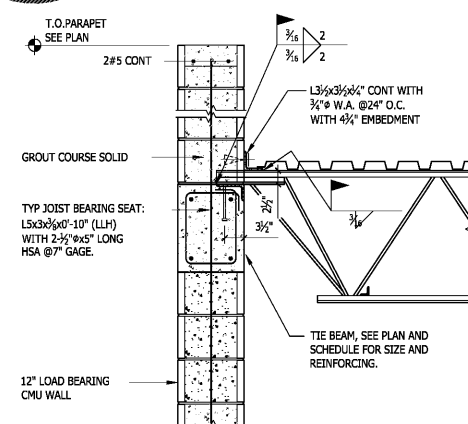
7 ROOF JOIST TO JOIST GIRDER

8 JOIST GIRDER TO CONCRETE COLUMN



NOTE: JOIST GIRDER SEAT MUST SUPPORT LOAD.

Order Plans @



JOIST BRIDGING AND CONNECTION TO WALL NOT SHOWN. REFER TO SECT 3/5-601

9 JOIST GIRDER TO 'HSS' COLUMN

10 ROOF JOIST TO EXTERIOR CMU WALL

11 DECK SUPPORT AT CONCRETE BEAM