

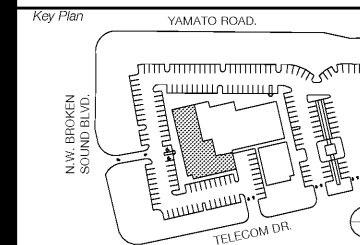
STRUCTURE PROPERTIES
 107 Fellowship Road, Suite 116
 Mount Laurel, NJ 08054
 Telephone (856) 780-4460
 Fax

Architect
SBLM Architects
 11430 N. Kendall Drive, Suite 310
 Miami, FL 33176
 Telephone 305 412 9187
 Fax 305 412 6731
 www.sblm.com

Consultants
 Civil
Langan Engineering
 Structural
Bliss & Nytray, Inc.
 Electrical/Mechanical/Plumbing

Revisions/Issues

06/21/18 PERMIT SET



Seal

Lazaro Alfonso, P.E. FL Reg. No.: 69782

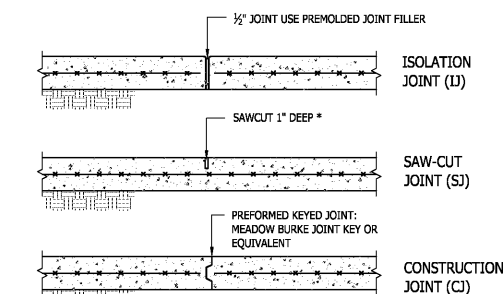
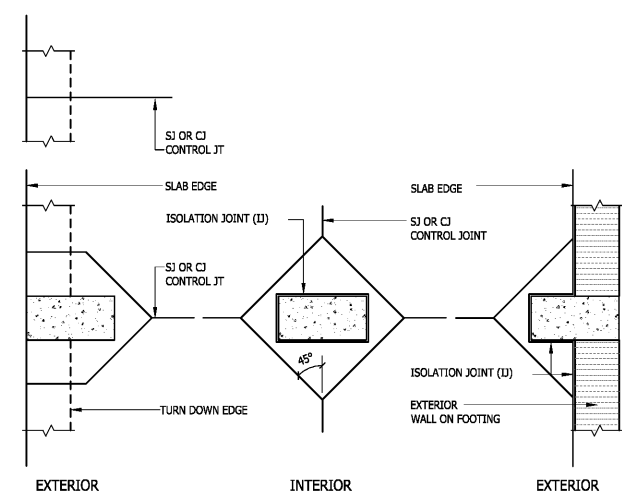
Project Title
SOUTHERN PALM CROSSING
 BUILDING SHELL
 11001-11161 Southern Blvd.
 Royal Palm Beach, FL 33411

Job Number 017512.00 - 17M32

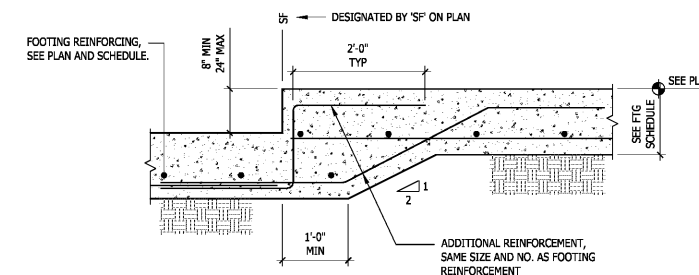
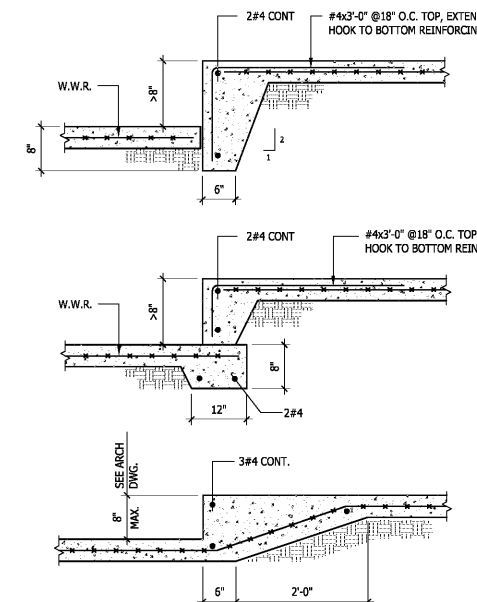
Drawing
FOUNDATION AND SLAB ON GRADE DETAILS

Scale 3/4" = 1'-0"
 Drawing Date 06/21/18

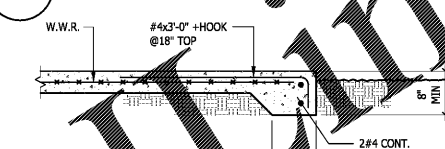
Drawing No.



* PROVIDE SEALANT WHERE REQUIRED BY ARCHITECT. SAWCUT AS SOON AS POSSIBLE AFTER CONCRETE HARDENS. SAW CUTTING MUST BE COMPLETE WITHIN 8 HRS. AFTER POURING.

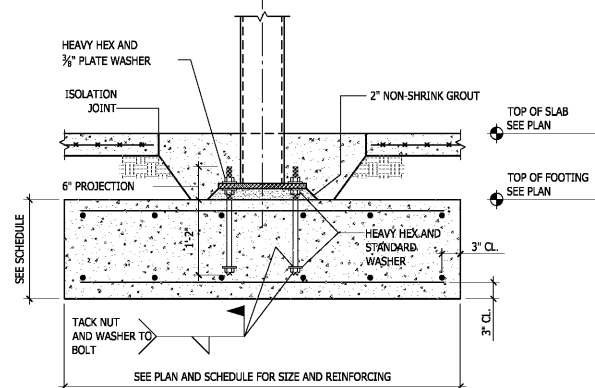
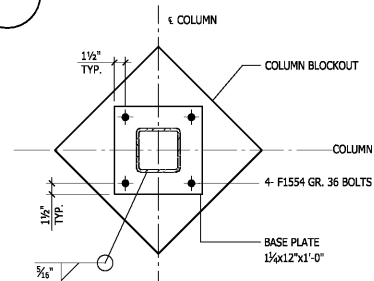


4 STEP FOOTING DETAIL



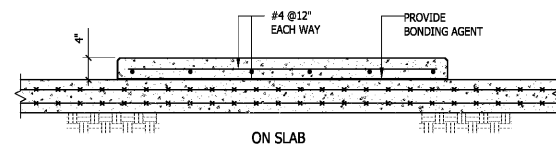
5 SLAB EDGE DETAIL AT MASONRY OPENINGS

1 CONTROL JOINTS AT COLUMNS

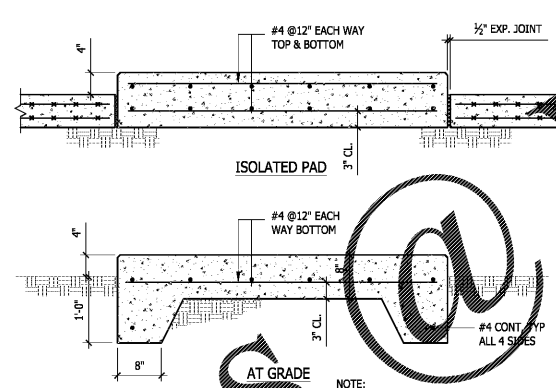


6 TUBE COLUMN / FOOTING DETAIL

2 CONTROL JOINTS AT 4\"/>

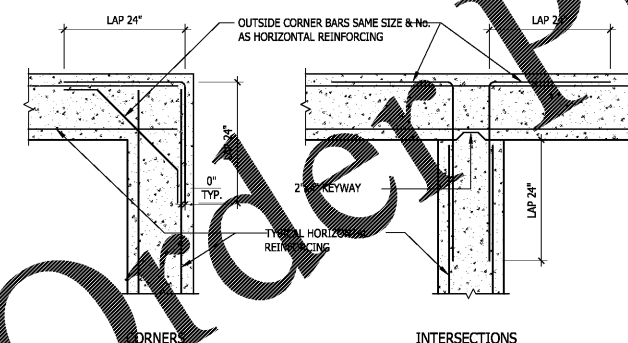


3 SLAB STEP DETAILS



8 TRASH ENCLOSURE

9 WALL FOOTING DETAIL AT EXTERIOR



10 TYPICAL HORIZONTAL REINFORCING CONCRETE TIE BEAMS, WALLS, AND FOOTINGS