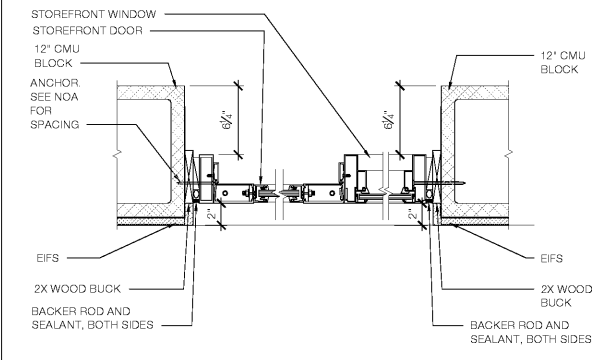
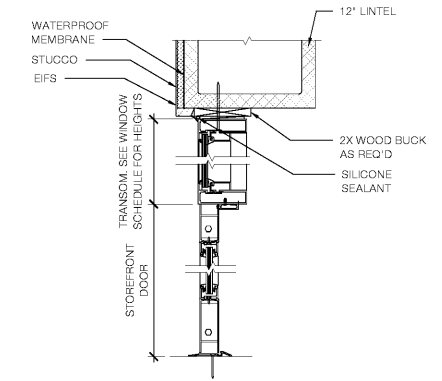


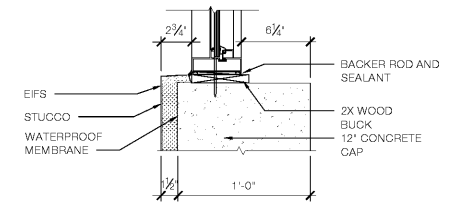
1 STOREFRONT HEAD DETAIL
SCALE: 1-1/2" = 1'-0"



2 STOREFRONT/DOOR JAMB DETAIL
SCALE: 1-1/2" = 1'-0"



3 STOREFRONT/DOOR HEAD DETAIL
SCALE: 1-1/2" = 1'-0"



4 STOREFRONT SILL DETAIL
SCALE: 1-1/2" = 1'-0"

ROOM SCHEDULE						
No.	ROOM NAME	BASE	FLOOR	WALL	CEILING	REMARKS
101	TENANT "A" DENTAL OFFICE	-	-	-	OPEN	INTERIOR WALLS TO BE SPACED, PTD BY TENANT
102	TENANT "B" RESTAURANT	-	-	-	OPEN	INTERIOR WALLS TO BE SPACED, PTD BY TENANT
103	MECHANICAL EQUIPMENT ROOM	4" RUBBER BASE	CONC. SEALANT	PTD	OPEN	
104	ELECTRICAL ROOM	4" RUBBER BASE	CONC. SEALANT	PTD	OPEN	

PAINT COLORS TO BE SELECTED BY OWNER

5 ROOM SCHEDULE
SCALE: 1-1/2" = 1'-0"

SCHEDULE OF FINISH HARDWARE

Code	Name
BE	Best Access Systems
BY	By Others
NA	National Guard
PR	Precision
SH	Stanley Commercial Hardware
ST	Stanley
TR	Trimco
VD	Von Duprin

Set 1 Door 104

3	Hinges	FBB179 4 1/2 X 4 1/2 NRP US32D	ST
1	Mortise Cylinder	1E-74 L/C 626	BE
1	Cylinder Core	6CS 7BF2 626	SH
1	Door Closer	QDC111 689	SH
1	Wall Bumper	1270WV 630	TR
3	Door Silencers	1229A GREY	TR
1	Panic Device		

SET 2 Door 101A, 101B

(See Approval FL#18413 page 5 lock option 3)

3	Hinges	FBB179 4 1/2 X 4 1/2 NRP US32D	ST
2	VON DUPRIN 9947 CVR TWO POINT LOCK SYSTEM WITH TOP/BOTTOM STRIKE PLATES AND ACTIVATING SURFACE MOUNT METALLIC PANIC DEVICE ON THE INTERIOR		VD
1	Cylinder	12E-72 or 1E-74 as Req. 626	BE
1	Cylinder Core	6CS 7BF2 626	SH
2	Door Closer	QDC117	SH
3	Door Silencers	1229A GREY	TR
1	Cylinder	1E-74 L/C 626	BE
2	Offset Door Pulls	1191 630	TR
1	Weatherstrip		
1	Threshold as detailed by alum door manufacturer		BY

SET 3 Door 102A, 102B, 102C, 102D, 102E

(See Approval FL#18413 for details Page 3) (Active page)

3	Hinges	FBB179 4 1/2 X 4 1/2 NRP US32D	ST
1	VON DUPRIN 9947 CVR TWO POINT LOCK SYSTEM WITH TOP/BOTTOM STRIKE PLATES AND ACTIVATING SURFACE MOUNT METALLIC PANIC DEVICE ON THE INTERIOR		VD
1	Cylinder	1E-74 L/C 626	BE
1	Cylinder Core	6CS 7BF2 626	SH
1	Door Closer	QDC117	SH
1	Offset Door Pulls	1191 630	TR
1	Weatherstrip		
1	Threshold as detailed by alum door manufacturer		BY

6 DOOR HARDWARE SCHEDULE
SCALE: N.T.S.

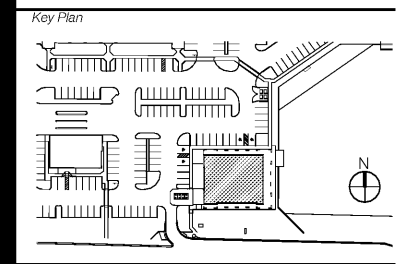
OWNER
SHOWRE PROPERTIES
 301 Fellowship Road, Suite 116
 Mount Laurel, NJ 08054
 Telephone (856) 780-4460
 Fax

Architect
SBLM Architects
 11430 N. Kendall Drive, Suite 310
 Miami, FL 33176
 Telephone 305 412 9187
 Fax 305 412 6731
 www.sblm.com

Consultants
 Civil
Langan Engineering

Structural
Bliss & Nytray, Inc.
 Electrical/Mechanical/Plumbing
B&K Engineering Group

Revisions/Issues
 06/21/18 PERMIT SET



Seal

James L. Cohen AR0015903
 Project Title
SOUTHERN PALM CROSSING
 BUILDING SHELL
 11001-11161 Southern Blvd.
 Royal Palm Beach, FL 33411

Job Number **017512.00**
 Drawing
ROOM SCHEDULE, DOOR AND WINDOW DETAILS
 Scale **AS SHOWN**
 Drawing Date **06/21/18**

Drawing No.

A-602

Sheet Of

Order Plans @ www.LDILine.com