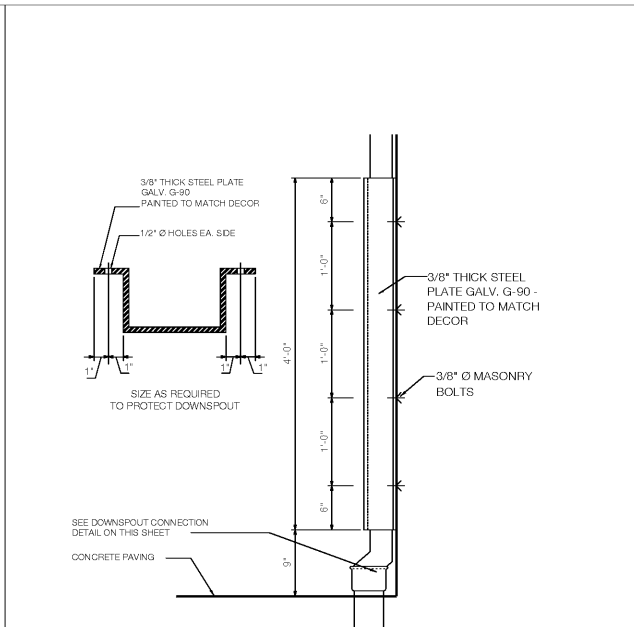
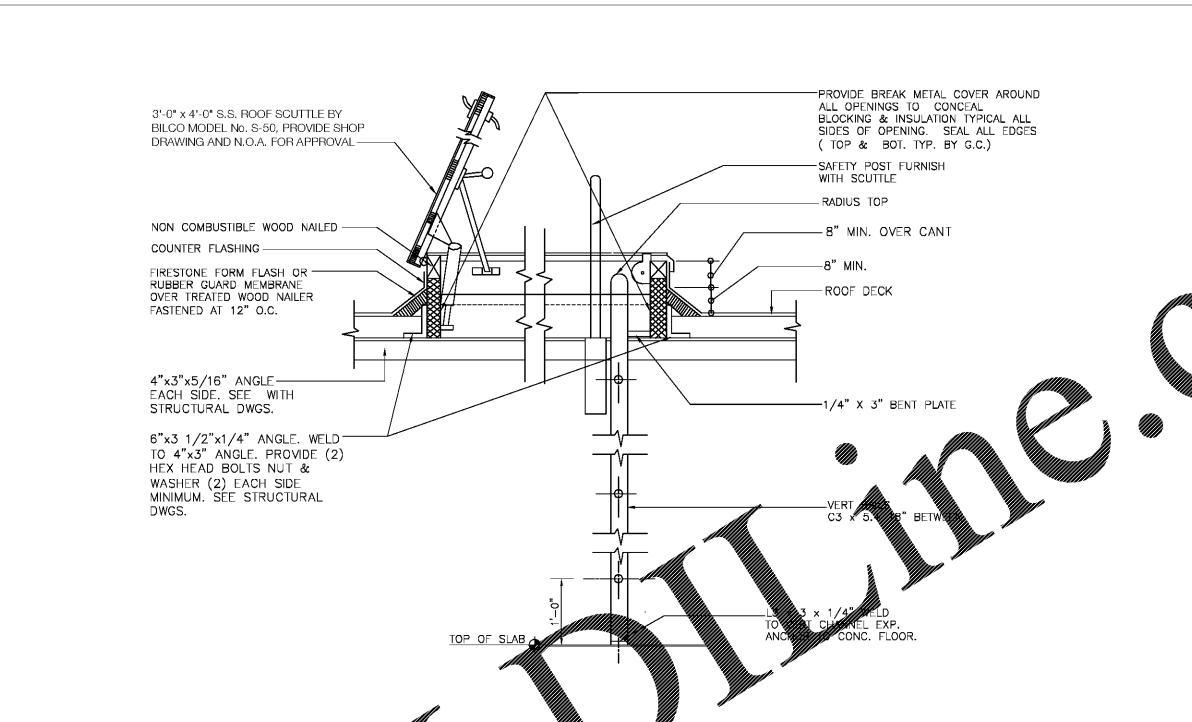


NOTES:  
1) SEALANT IS A TWO STEP APPLICATION:  
A) BEHIND TOP OF FLASHING.  
B) TOP OF REGLET.  
2) SEALANT SHALL BE APPLIED TO CLEAN ACCEPTABLE SURFACES.  
3) SEALANT IS A MAINTENANCE ITEM. MAINTENANCE IS NOT COVERED UNDER THE MFR. WARRANTY.  
4) REGLET SHALL BE SECURELY ANCHORED WITH GROMMETTED FASTENERS AND PROVIDE ADEQUATE COMPRESSION OF MEMBRANE FLASHING AND SEALANT.  
5) VAPOR BARRIER SHALL BE SEALED AT EDGES.

REGLET TERMINATION



3/8" THICK STEEL PLATE GALV. G-90 PAINTED TO MATCH DECOR  
1/2" Ø HOLES EA. SIDE  
SIZE AS REQUIRED TO PROTECT DOWNSPOUT  
SEE DOWNSPOUT CONNECTION DETAIL ON THIS SHEET  
CONCRETE PAVING  
3/8" Ø MASONRY BOLTS  
3/8" THICK STEEL PLATE GALV. G-90 PAINTED TO MATCH DECOR

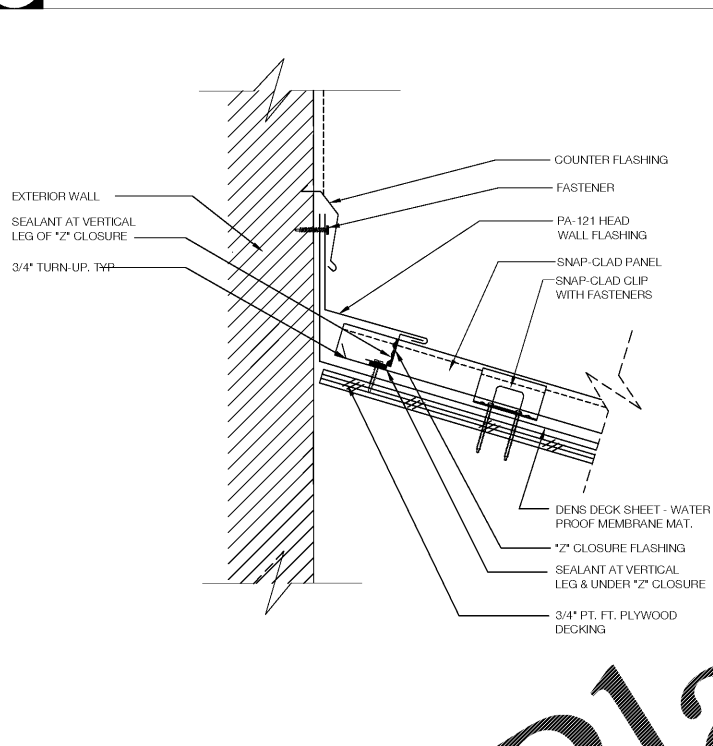


3'-0" x 4'-0" S.S. ROOF SCUTTLE BY BILCO MODEL No. S-50, PROVIDE SHOP DRAWING AND N.O.A. FOR APPROVAL  
PROVIDE BREAK METAL COVER AROUND ALL OPENINGS TO CONCEAL BLOCKING & INSULATION TYPICAL ALL SIDES OF OPENING. SEAL ALL EDGES (TOP & BOT. TYP. BY G.C.)  
SAFETY POST FURNISH WITH SCUTTLE RADIUS TOP  
8" MIN. OVER CANT  
8" MIN.  
ROOF DECK  
1/4" x 3" BENT PLATE  
VERT. C3 x 5.1" B.T.W.  
1/2" x 1/4" WELD TO 1/2" CHANNEL EXP. ANCHOR TO CONC. FLOOR.  
TOP OF SLAB  
1'-0"

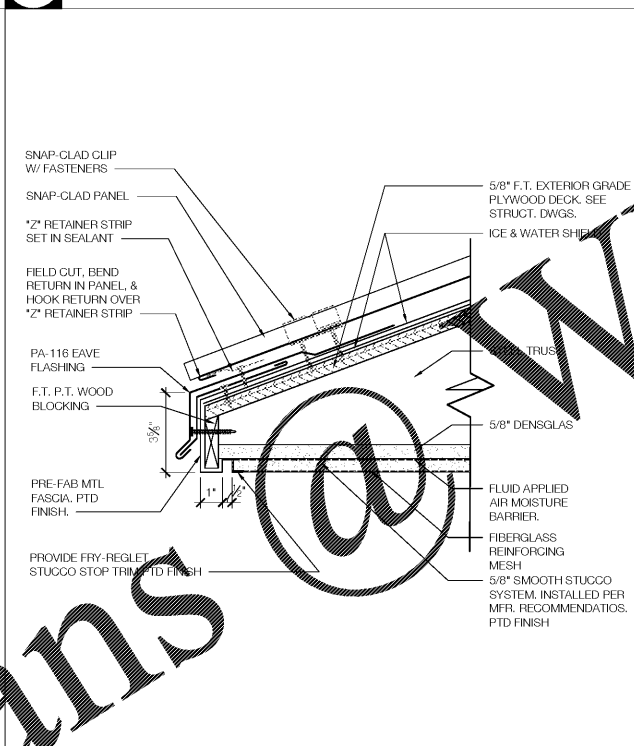
1 WALL AND BASE FLASHING SCALE: NTS

2 DOWNSPOUT GUARD DETAIL SCALE: 1" = 1'-0"

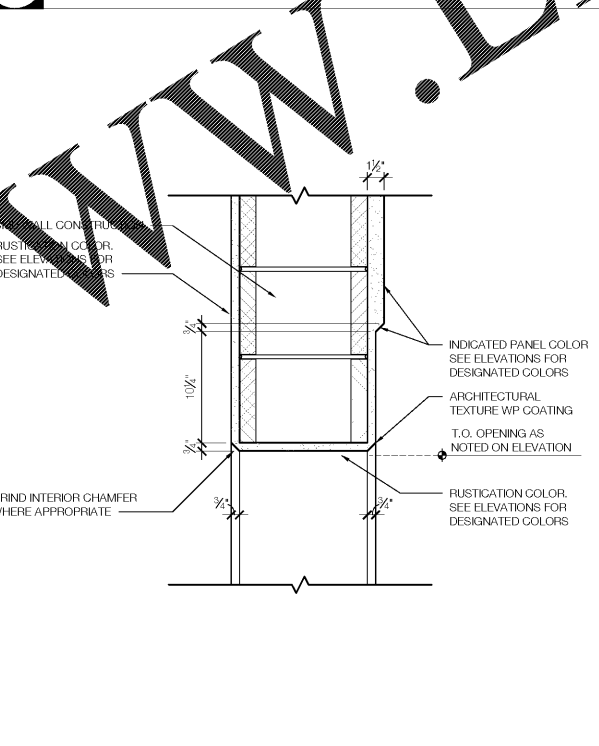
3 ROOF SCUTTLE SECTION SCALE: NTS



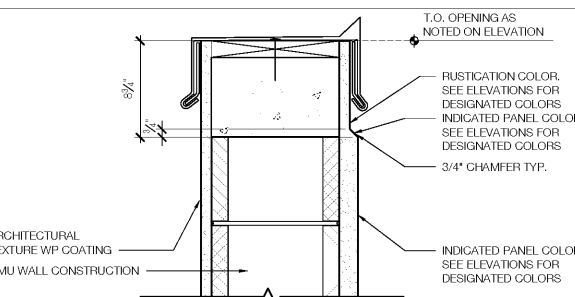
4 FLASHING DETAIL SCALE: NTS



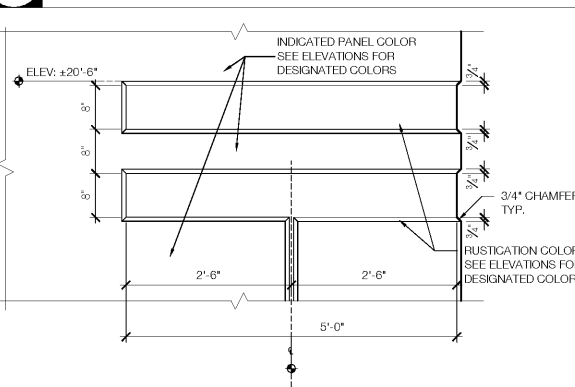
5 EAVE DETAIL SCALE: NTS



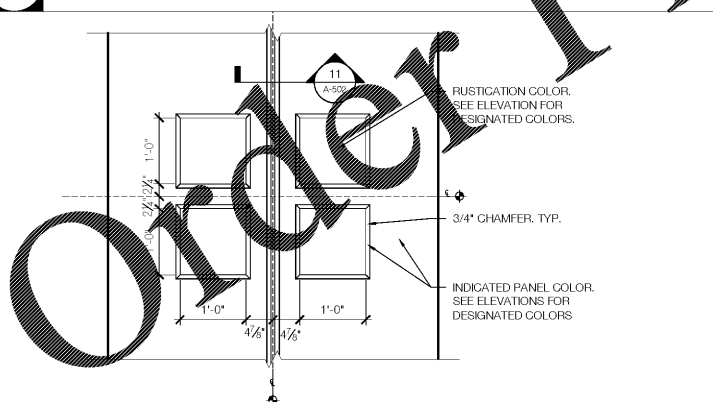
6 TYPICAL OPENING HEAD SCALE: 1 1/2" = 1'-0"



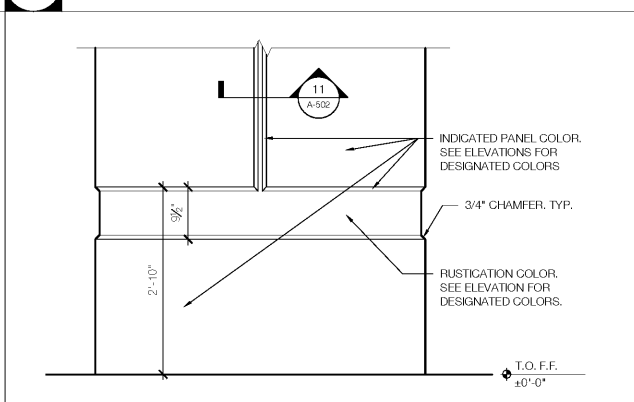
7 PARAPET CAP SCALE: 1 1/2" = 1'-0"



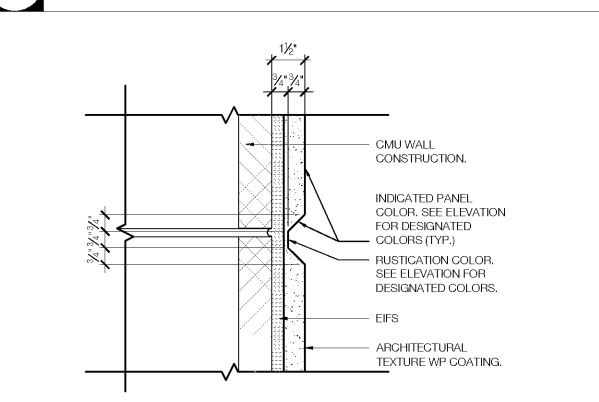
8 EXTERIOR DETAIL SCALE: 1 1/2" = 1'-0"



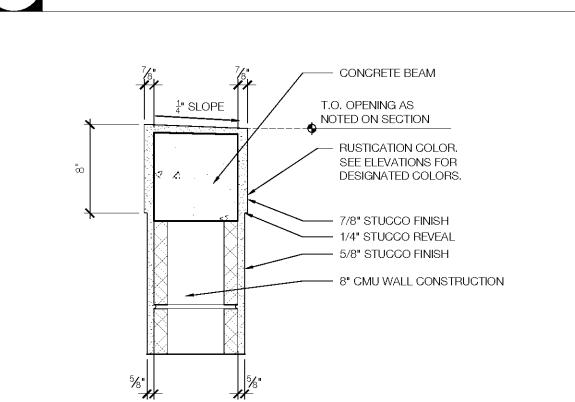
9 EXTERIOR DETAIL SCALE: 1 1/2" = 1'-0"



10 EXTERIOR BASE DETAIL SCALE: 1 1/2" = 1'-0"



11 HORIZ. OR VERT. RUSTICATION DETAIL SCALE: 3" = 1'-0"



12 DUMPSTER WALL DETAIL SCALE: 1 1/2" = 1'-0"

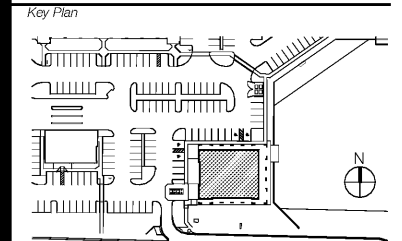
SUBMITTER  
**SBLM PROPERTIES**  
107 Fellowship Road, Suite 116  
Mount Laurel, NJ 08054  
Telephone (856) 780-4460  
Fax

Architect  
**SBLM Architects**  
11430 N. Kendall Drive, Suite 310  
Miami, FL 33176  
Telephone 305 412 9187  
Fax 305 412 6731  
www.sblm.com

Consultants  
**Langan Engineering**

Structural  
**Bliss & Nytray, Inc.**  
Electrical/Mechanical/Plumbing  
**B&K Engineering Group**

Revisions/Issues  
06/21/18 PERMIT SET



Key Plan

James L. Cohen AR0015903  
Project Title  
**SOUTHERN PALM CROSSING**  
BUILDING SHELL  
11001-11161 Southern Blvd.  
Royal Palm Beach, FL 33411

Job Number 017512.00  
Drawing  
**ROOF DETAILS**  
Scale AS SHOWN  
Drawing Date 06/21/18

Drawing No.