



DO NOT SCALE DRAWINGS
CONTRACTOR TO VERIFY
ALL EXISTING CONDITIONS AND
DIMENSIONS - NOTIFY ARCHITECT
OF ANY DISCREPANCIES PRIOR
TO BEGINNING CONSTRUCTION



MAY 18TH, 2018
NO REVISION

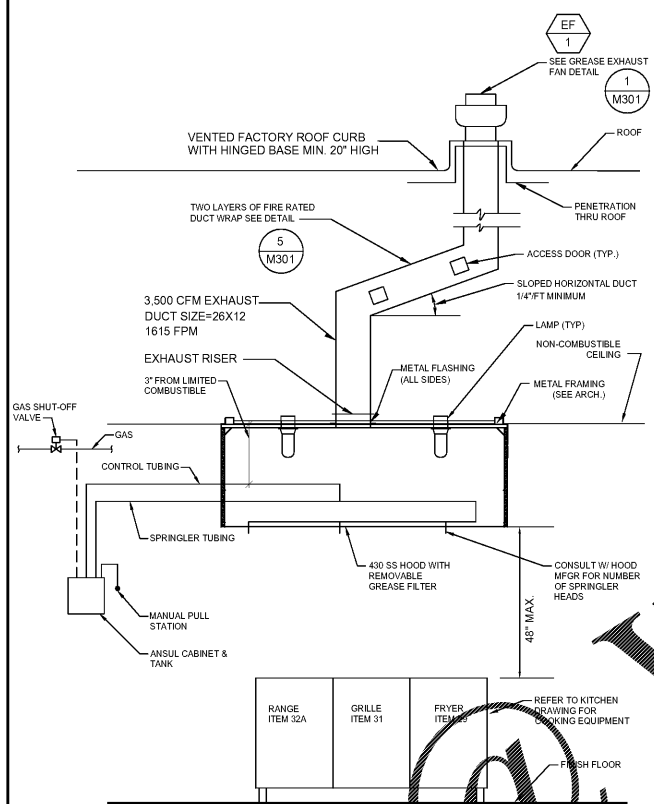
DEL TACO STORE # DT2017
4525 JIMMY LEE SMITH PARKWAY
HIRAM, GA 30141
PAULTON COUNTY
1ST PERMIT SUBMITTAL 05-18-18

PROJECT NUMBER
2180148
SHEET NAME
**MECHANICAL
DETAILS**

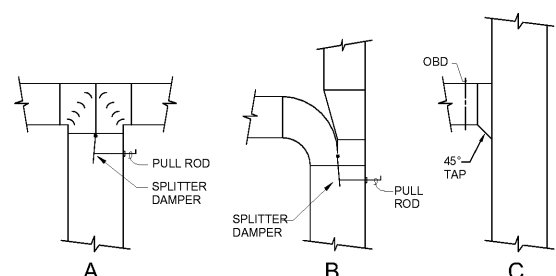
SHEET NUMBER
M301

DATE OF THIS PRINTING -

- NOTES:
- 16 GA (0.054" THICK) WELDED BLACK IRON GREASE EXHAUST DUCT WITH DUCT WRAP (SEE DETAIL 05 FOR SPECIFICATION) (1-HR CLEARANCE TO COMBUSTIBLE)
 - PROVIDE DUCT WRAP AT ALL EXPOSED DUCTING (OUTSIDE OF ENCLOSURE) AND WITHIN 18" OF COMBUSTIBLES
 - SUPPORT DUCTING AT REGULAR INTERVALS PER ICC REPORT AND CODE REQUIREMENTS.
 - PROTECT ALL DUCTING WITH GAURDS AS NECESSARY TO PROVIDE PROTECTION
 - A CLEARANCE OF AT LEAST 6 INCHES AND NOT MORE THAN 18 INCHES SHALL BE MAINTAINED BETWEEN DUCT AND ENCLOSURE.
 - REFER TO SECTION VIEW - HOOD #1 ON KITCHEN HOOD DRAWINGS.
 - A SIGN SHALL BE ON EACH ACCESS PANEL STATING THE FOLLOWING: ACCESS PANEL-DO NOT OBSTRUCT.

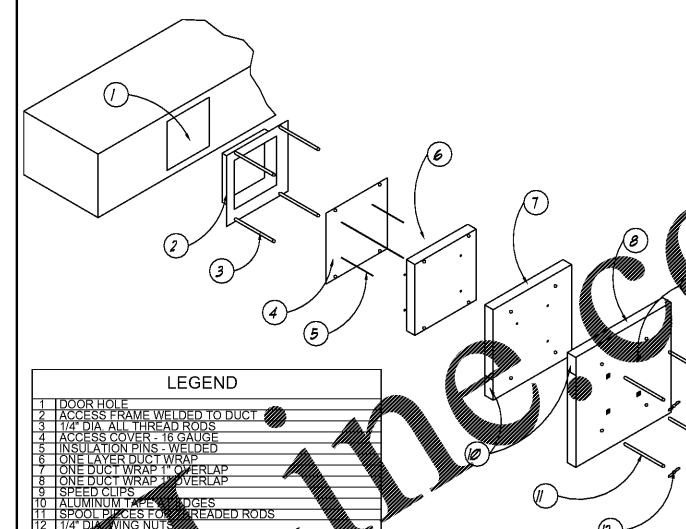


TYPICAL KITCHEN HOOD SECTION NO SCALE 8



NOTE: USE THESE METHODS U.N.O.

TYPICAL DUCT DETAILS NO SCALE 6

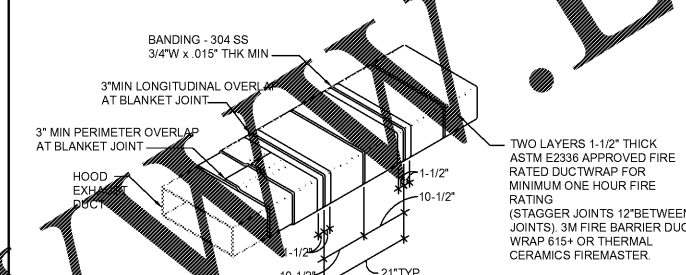


LEGEND

1	DOOR HOLE
2	ACCESS FRAME WELDED TO DUCT
3	1/4" DIA. ALL THREAD ROODS
4	ACCESS COVER - 16 GAUGE
5	INSULATION PINS - WELDED
6	ONE LAYER DUCT WRAP
7	ONE DUCT WRAP T/OVERLAP
8	ONE DUCT WRAP T/OVERLAP
9	SPEED CLIPS
10	ALUMINUM TAPES/RODS
11	SPOOL PICES FOR BREADED RODS
12	1/2" DIA. NUTS

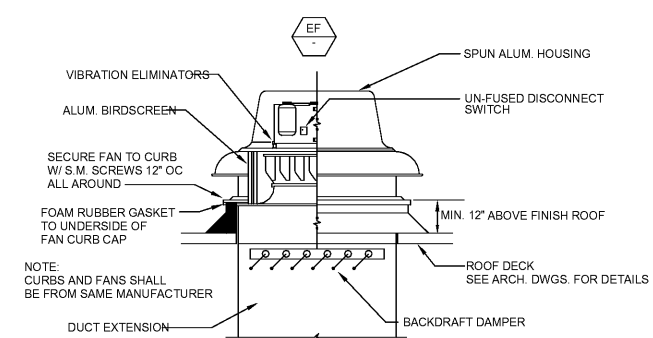
ACCESS DOOR SHOULD BE LOCATED AT 10'-0" MAX. APART AND AT EACH CHANGE IN DIRECTION IN BOTH HORIZONTAL AND VERTICAL DUCT RUNS

GREASE DUCT CLEANOUT DETAIL NO SCALE 3

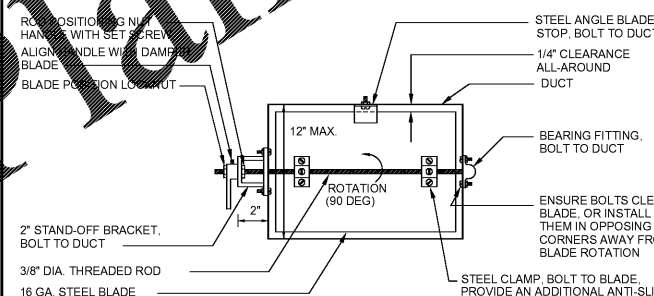


- NOTE:
- 1 WRAP SUPPORT HANGER SYSTEM INDEPENDENTLY WITH SAME THICKNESS FOR EXTERNAL FIRE THREAT CONDITIONS.
 - 2 WRAP GREASE DUCT CONTINUOUS AS SHOWN BELOW FOR ENTIRE LENGTH FROM KITCHEN HOOD CONNECTION TO EXHAUST FAN ON ROOF.
 - 3 BANDING REQUIREMENTS: USE 304 STAINLESS STEEL FOR MIN. ONE HOUR RATING

KITCHEN EXHAUST DUCT SYSTEM NO SCALE 5

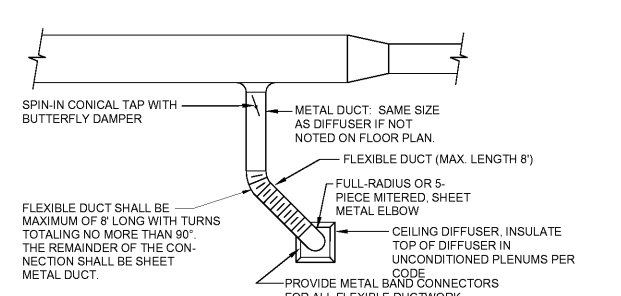


EXHAUST FAN DETAIL NO SCALE 2



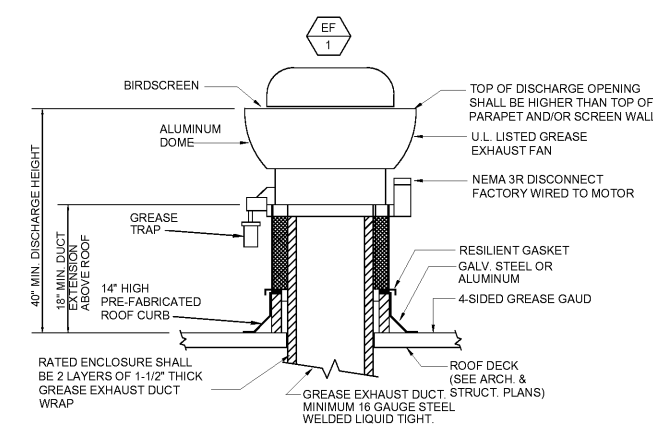
- NOTES:
1. DAMPERS FOR ROUND DUCTS SHALL BE SIMILAR TO THE DAMPER SHOWN ABOVE.
 2. ENSURE THAT FULL 90° DAMPER BLADE MOVEMENT IS UNOBSTRUCTED.
 3. FOR DUCT HEIGHTS MORE THAN 12", PROVIDE FACTORY-FABRICATED OPPOSED BLADE DAMPERS
 4. DAMPER SHALL BE ADJUSTABLE SINGLE BLADE BALANCING TYPE

MANUAL VOLUME DAMPER DETAIL NO SCALE 7



- NOTES:
1. DAMPER SHALL COMPLY WITH S.M.A.C.N.A. FIG. 2-14-C, AND BE NOT THINNER THAN 24 GA. METAL
 2. VOLUME DAMPER W/LOCKING HANDLE SHALL BE ORIENTED THE SAME AS THE DAMPER BLADE (INSTALL IN ACCESSIBLE LOCATION)

DIFFUSER CONNECTION DETAIL NO SCALE 4



NOTE: INSTALLATION SHALL BE IN ACCORDANCE WITH NFPA 96 REQUIREMENTS. HORIZONTAL OFFSETS SHALL SLOPE TOWARD HOOD OR PRE-APPROVED GREASE RECEPTOR AT A MINIMUM 1/4" PER FOOT. U.N.O.

GREASE EXHAUST FAN DETAIL NO SCALE 1

SWED. BY: ERIC 5/15/2018 12:37 PM
PRINTED BY: ERIC 7/12/2018 1:24 PM
2180148_M301_Details.dwg

Order Plans