

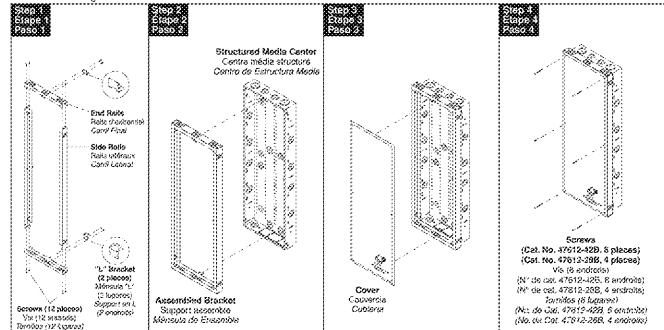


Extender Bracket
Cat. No. 47812-42B and 47812-28B
INSTALLATION INSTRUCTIONS

Support d'extension
N° de cat. 47812-42B et 47812-28B
DIRECTIVES D'INSTALLATION

Ménsula de Extensión
No. de Cat. 47812-42B y 47812-28B
INSTRUCCIONES DE INSTALACION

Assemble as follows:
Assemblez comme suit:
Ensamblar como sigue:

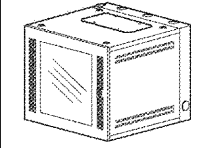


NOTE: For installation instructions, see Cat. No. 47812-42B or 47812-28B.
REMARQUE: Pour les instructions voir les modèles 47812-42B
o 47812-28B.
NOTA: Para las instrucciones ver los modelos de Cat. 47812-42B
o 47812-28B.

Screws
(Cat. No. 47812-42B: 8 pieces)
(Cat. No. 47812-28B: 4 pieces)
Vis (8 unidades)
(N° de cat. 47812-42B: 8 unidades)
(N° de cat. 47812-28B: 4 unidades)
(No. cat. 47812-42B: 8 unidades)
(No. cat. 47812-28B: 4 unidades)



1925 Prosperity Ave., Orlando, FL 32814
1-910-910-9100
(407) 910-9101
www.c-p.com



APC NetShelter® WX Enclosure
www.apc.com

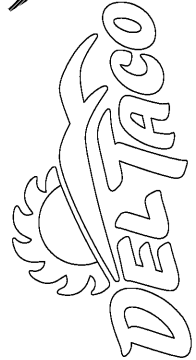
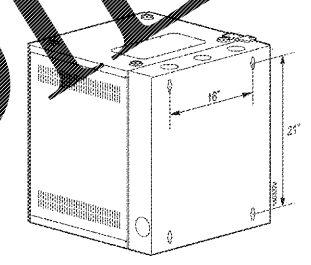
AR100HDS	13 U	19 in (482.6 mm)	23 in (584.2 mm)	Enclosure with vented door and square hole mounting rails
----------	------	------------------	------------------	---

Fixed Shelf 250lbs/114kg Black
Part Number: AR8122BLK

Wall-Mounting the Enclosure

There are four keyhole cutouts on the back door that will accommodate up to a 1/2 in bolt. The holes are on standard 16-in (406.4-mm) centers horizontally, and on a 533.4-mm center vertically. Use the included template with a level to position the enclosure properly.

Use appropriate fasteners to secure the enclosure to the wall or the weight of the enclosure and its maximum weight capacity, see "Specifications" on page 15.



DO NOT SCALE DRAWINGS
CONTRACTOR TO VERIFY
ALL EXISTING CONDITIONS AND
DIMENSIONS—NOTIFY ARCHITECT
OF ANY DISCREPANCIES PRIOR
TO BEGINNING CONSTRUCTION



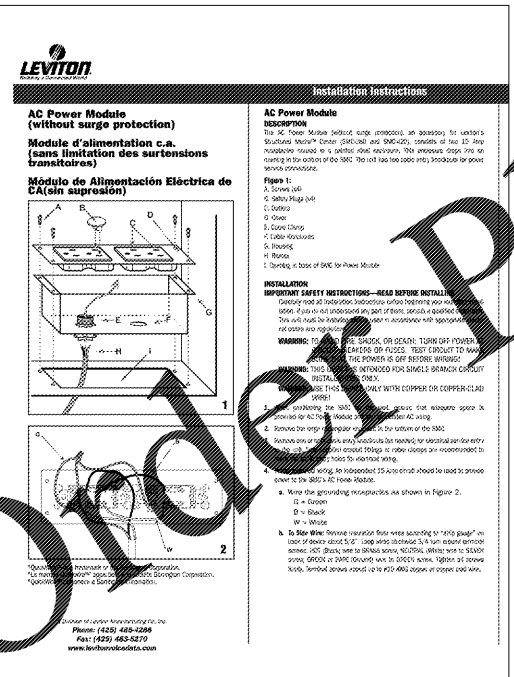
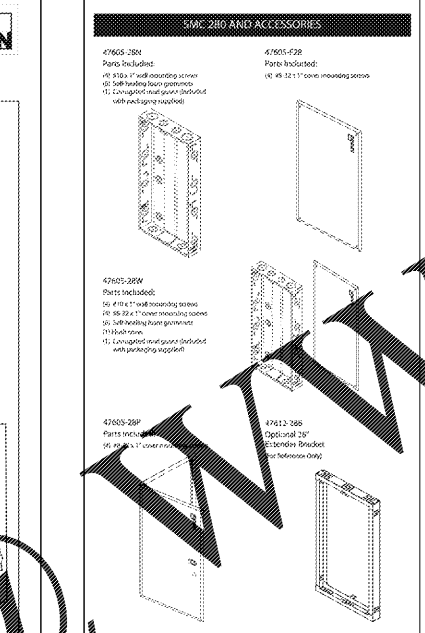
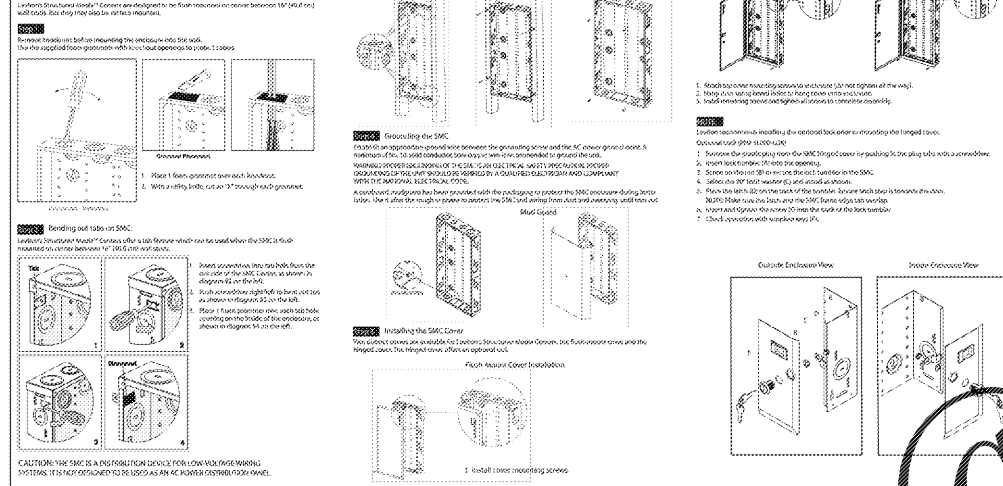
JULY 5TH, 2018
NO | REVISION

NET SHELTER ENCLOSURE DETAIL NO SCALE 2

Structured Media Centers Cat. No. 47965 INSTALLATION INSTRUCTIONS

Thanks to our Structured Media™ Centers (SMC) making running cables and managing media both simple and cost-effective. Designed to provide a central distribution point for all your home or small office technologies, the SMCs accommodate networking, fax, internet, DSS, and cable modems, multi-line telephones, security cameras, coaxial cables, satellite video distribution, and more.

NOTE: Prior to installation, check the parts list on page 3 to ensure that all parts are included with your product.



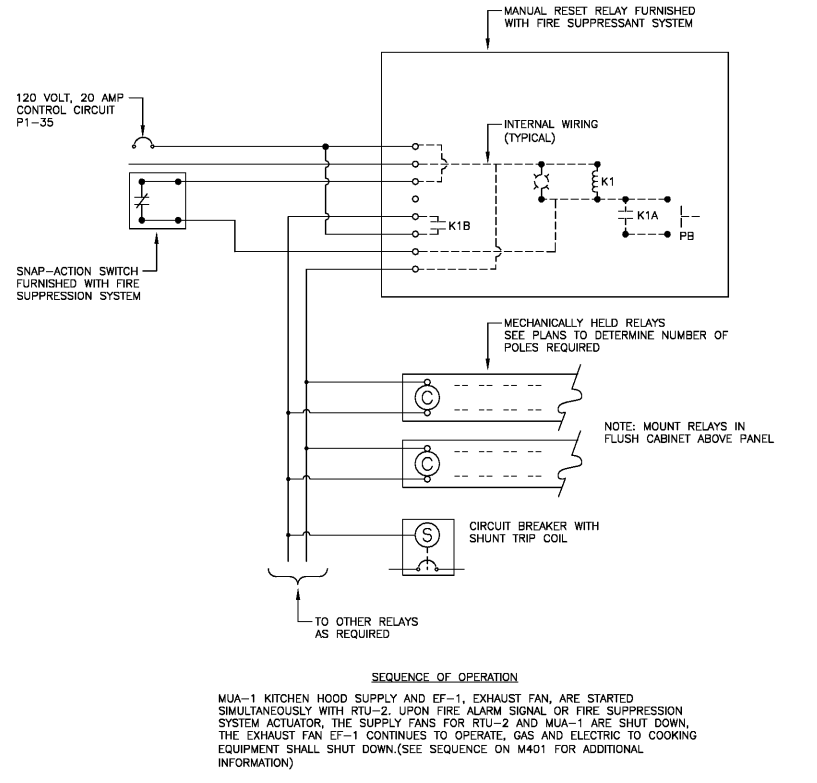
AC Power Module (without surge protection)
Module d'alimentation c.a. (sans limitation des surtensions transitoires)
Modulo de Alimentación Eléctrica de CA (sin supresión)

INSTALLATION
IMPORTANT SAFETY INSTRUCTIONS—READ BEFORE INSTALLATION
Consult the AC Power Module installation instructions for important safety information. Read and understand all instructions before using the AC Power Module.
This unit must be installed in accordance with applicable electrical codes and regulations.

WARNING: TO PREVENT FIRE, SHOCK, OR DEADLY OR LETHAL INJURY, TURN OFF POWER TO THE CIRCUIT BEING WORKED ON BEFORE BEGINNING WORK.
The AC Power Module is intended for single branch circuit use only. Do not connect it to a multi-wire branch circuit (MWBC) or a multi-phase system.

IMPORTANT INSTRUCTIONS
1. Read and understand all instructions before using the AC Power Module.
2. Do not touch the AC Power Module when it is energized.
3. Do not use the AC Power Module for anything other than its intended purpose.
4. Do not use the AC Power Module in a wet or damp location.
5. Do not use the AC Power Module in an area where it is exposed to moisture or high humidity.

SAFETY INFORMATION
1. Read and understand all instructions before using the AC Power Module.
2. Do not touch the AC Power Module when it is energized.
3. Do not use the AC Power Module for anything other than its intended purpose.
4. Do not use the AC Power Module in a wet or damp location.
5. Do not use the AC Power Module in an area where it is exposed to moisture or high humidity.



SEQUENCE OF OPERATION
MUA-1 KITCHEN HOOD SUPPLY AND EF-1, EXHAUST FAN, ARE STARTED SIMULTANEOUSLY WITH RTU-2. UPON FIRE ALARM SIGNAL OR FIRE SUPPRESSION SYSTEM ACTUATOR, THE SUPPLY FANS FOR RTU-2 AND MUA-1 ARE SHUT DOWN. THE EXHAUST FAN EF-1 CONTINUES TO OPERATE. GAS AND ELECTRIC TO COOKING EQUIPMENT SHALL SHUT DOWN.(SEE SEQUENCE ON M401 FOR ADDITIONAL INFORMATION)

DEL TACO STORE # DT2017
4825 JIMMY LEE SMITH PARKWAY
HIRAM, GA 30141
PAULTON COUNTY
1ST PERMIT SUBMITTAL 05-18-18
1ST BID SUBMITTAL 07-05-18

PROJECT NUMBER
2180148
SHEET NAME
**ELECTRICAL
DETAILS**

SHEET NUMBER
E402

DATE OF THIS PRINTING - 7/3/2018

P.O.S. / TEL. COM. DETAIL NO SCALE 3

HOOD FIRE SYSTEM INTERLOCK DETAIL NO SCALE 1

SW: JLD
DWG: 5/17/2018 3:39 PM
PRINTED BY: JLD/07/17/2018 1:50 PM
1700_2180148_E402