

DO NOT SCALE DRAWINGS
CONTRACTOR TO VERIFY
ALL EXISTING CONDITIONS AND
DIMENSIONS-NOTIFY ARCHITECT
OF ANY DISCREPANCIES PRIOR
TO BEGINNING CONSTRUCTION



JULY 5TH, 2018

NO REVISION

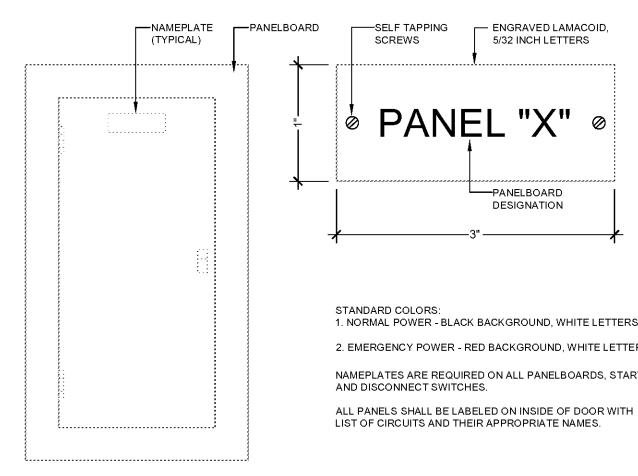
DEL TACO STORE # DT2017
4525 JIMMY LEE SMITH PARKWAY
HIRAM, GA 30141
PAULTON COUNTY
1ST PERMIT SUBMITTAL 05-18-18
1ST BID SUBMITTAL 07-05-18

PROJECT NUMBER
2180148

SHEET NAME
**ELECTRICAL
DETAILS**

SHEET NUMBER
E401

DATE OF THIS PRINTING - 7/3/2018

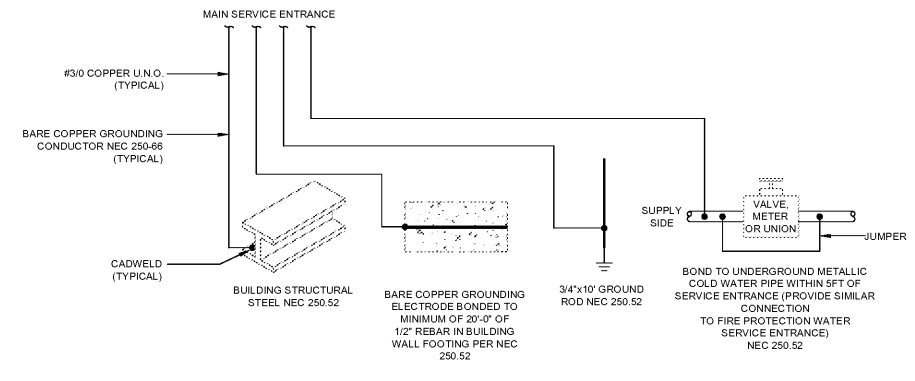


STANDARD COLORS:
1. NORMAL POWER - BLACK BACKGROUND, WHITE LETTERS
2. EMERGENCY POWER - RED BACKGROUND, WHITE LETTERING

NAMEPLATES ARE REQUIRED ON ALL PANELBOARDS, STARTERS AND DISCONNECT SWITCHES.

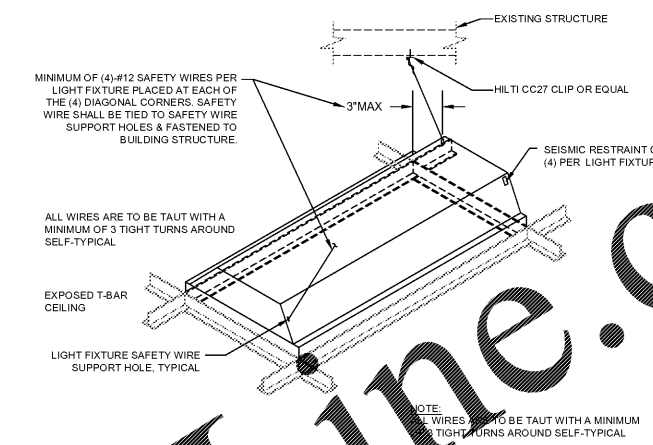
ALL PANELS SHALL BE LABELED ON INSIDE OF DOOR WITH LIST OF CIRCUITS AND THEIR APPROPRIATE NAMES.

01 PANELBOARD NAMEPLATE DETAIL
SCALE: NOT TO SCALE



ALL GROUNDING SHALL BE INSTALLED IN ACCORDANCE WITH ARTICLE 250.50 OF THE NATIONAL ELECTRICAL CODE, BOND THE NEUTRAL AT THE SERVICE ENTRANCE EQUIPMENT

02 GROUNDING ELECTRODE SYSTEM DETAIL
SCALE: NOT TO SCALE



MINIMUM OF (4)#12 SAFETY WIRES PER LIGHT FIXTURE PLACED AT EACH OF THE (4) DIAGONAL CORNERS. SAFETY WIRE SHALL BE TIED TO SAFETY WIRE SUPPORT HOLES & FASTENED TO BUILDING STRUCTURE.

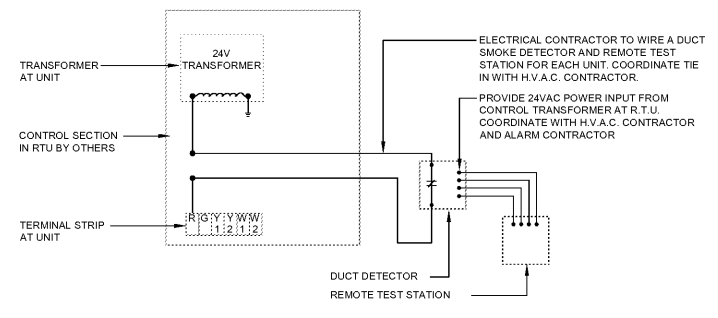
ALL WIRES ARE TO BE TAUT WITH A MINIMUM OF 3 TIGHT TURNS AROUND SELF-TYPICAL

EXPOSED T-BAR CEILING

LIGHT FIXTURE SAFETY WIRE SUPPORT HOLE, TYPICAL

NOTE: ALL WIRES TO BE TAUT WITH A MINIMUM OF 3 TIGHT TURNS AROUND SELF-TYPICAL

03 RECESSED FIXTURE SUPPORT DETAIL
SCALE: NOT TO SCALE



1. DUCT DETECTORS SHALL BE FURNISHED AND MOUNTED BY THE H.V.A.C. CONTRACTOR, WIRED BY THE ELECTRICAL CONTRACTOR. THE TROUBLE CONTACT TO BE WIRED BY THE ALARM CONTRACTOR.

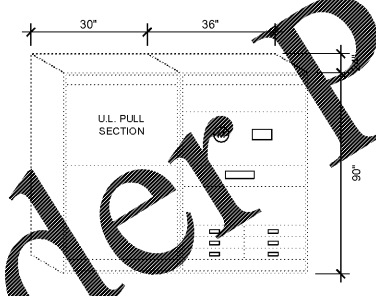
2. REMOTE TEST STATIONS SHALL BE FURNISHED BY THE H.V.A.C. CONTRACTOR, MOUNTED AND WIRED BY THE ELECTRICAL CONTRACTOR. MOUNT AT 72" A.F.F.

3. ALL EQUIPMENT AND WIRING SHALL BE IN CONFORMANCE WITH ALL APPLICABLE CODES AND REGULATIONS.

4. SEE MECHANICAL PLAN FOR ADDITIONAL INFORMATION.

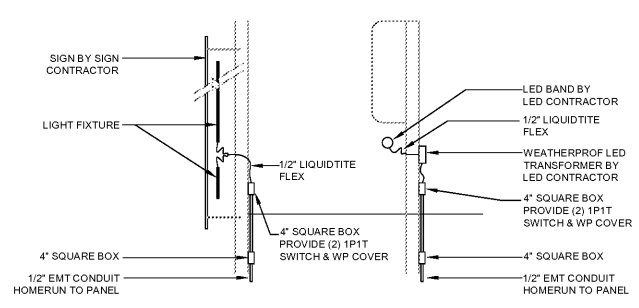
04 DUCT SMOKE DETECTOR/REMOTE TEST STATION WIRING DIAGRAM
SCALE: NOT TO SCALE

05 NOT USED
SCALE: NOT TO SCALE



NOTES: THE LOCAL OWNER IS RESPONSIBLE FOR ALL DIMENSIONAL REQUIREMENTS AND REQUIRED CLEARANCES AND EUSERC APPROVAL. PRE-APPROVED. CUTLER HAMMER OR SOURCE TO VERIFY PULL SECTION WITH ALL LOCAL REQUIREMENTS.

07 MAIN SWITCHBOARD "MSB" DETAIL
SCALE: NOT TO SCALE



08 EXIT SIGN/LED BAND DETAIL
SCALE: NOT TO SCALE

SWED BY: DWMS: 5/11/2018 2:46 PM
 PRINTED BY: DWMS: 7/2/2018 1:50 PM
 1200_2180148_E401_Electrical

Order Plans @ www.LDILine.com