



DO NOT SCALE DRAWINGS
CONTRACTOR TO VERIFY
ALL EXISTING CONDITIONS AND
DIMENSIONS—NOTIFY ARCHITECT
OF ANY DISCREPANCIES PRIOR
TO BEGINNING CONSTRUCTION



JUNE 7TH, 2018

NO | DATE | REVISION

DEL TACO STORE # DT885
850 MANSELL ROAD
ROSWELL, GA 30076
FULTON COUNTY
1ST PERMIT SUBMITTAL 05-04-18
ISSUED FOR CONSTRUCTION 8/7/2018

PROJECT NUMBER
2180172

SHEET NAME
**ELECTRICAL
SINGLE LINE
DIAGRAM**

SHEET NUMBER
E301

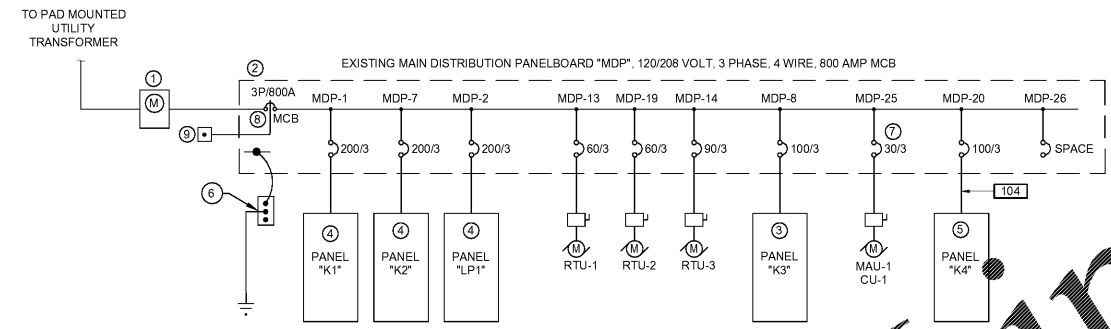
DATE OF THIS PRINTING 6/2/18

- POWER RISER NOTES:**
- ① EXISTING NEMA 3R METER ENCLOSURE.
 - ② EXISTING SERVICE ENTRANCE RATED, 3 PHASE 4 WIRE, 208Y/120V, 800 AMP, NEMA 3R MAIN DISTRIBUTION BOARD.
 - ③ EXISTING 100 AMP, 42 CIRCUIT, 3 PHASE 4 WIRE, 208Y/120V, NEMA 1 PANELBOARD.
 - ④ EXISTING 225 AMP, 42 CIRCUIT, 3 PHASE 4 WIRE, 208Y/120V, NEMA 1 PANELBOARD.
 - ⑤ NEW 100 AMP, 3 PHASE 4 WIRE, 208Y/120V, NEMA 1 PANELBOARD, LOCATED IN TACO CART AND PROVIDED BY TACO CART MANUFACTURER, SEE KITCHEN PLANS.
 - ⑥ EXISTING SERVICE GROUND.
 - ⑦ PROVIDE NEW HACR BREAKER FOR NEW MUA / CU UNIT. WIRE SIZE AS SHOWN ON 'MDP' PANEL SCHEDULE ON SHEET E302.
 - ⑧ REPLACE WITH 800AMP/3P SHUNT TRIP TYPE BREAKER.
 - ⑨ MOUNT SHUNT TRIP PUSH BUTTON PER AHJ REQUIREMENTS.

CIRCUIT SCHEDULE

104	100A	(4)#3, (1)#8G, 1-1/4" C
-----	------	-------------------------

ALL CONDUCTOR SIZES ARE BASED ON 75 DEG C RATED TERMINATIONS AND TYPE THHN/THWN-2 INSULATION; FOR TERMINATIONS OR INSULATION TYPES RATED LESS THAN 75 DEG C, MODIFY SIZES ACCORDING TO NFPA 70.



01 ELECTRICAL ONE-LINE DIAGRAM
SCALE: N.T.S.

TENANT ELECTRICAL SERVICE LOAD SUMMARY		
TENANT OCCUPANCY TYPE	A	SERVICE DESCRIPTION:
TENANT SQUARE FOOTAGE:	2,850	208Y/120V, 3PH, 4W
LOAD SUMMARY CALCULATIONS ARE BASED ON NEC 2014 SECTION 220.88 OPTIONAL METHOD FOR NEW RESTAURANTS.		
EXISTING PEAK UTILITY LOAD @ 0.9 pf	N/A	125%
HVAC - SUMMER	0.00	KVA
HVAC - WINTER	0.00	KVA
LIGHTING (PER NEC-220)	5.70	KVA
RECEPTACLES	15.29	KVA
KITCHEN EQUIPMENT	42.78	KVA
MOTOR LOADS	7.75	KVA
LARGEST MOTOR LOAD	0.00	KVA
SUPPLEMENTAL ELECTRIC HEAT	0.00	KVA
MISCELLANEOUS EQUIPMENT	52.13	KVA
REFRIGERATION EQUIPMENT	86.99	KVA
DISPLAY CASE/SIGNAGE	0.00	KVA
EXTERIOR LIGHTING	9.60	KVA
EXISTING LOAD TO BE DELETED	0.00	100%
CONNECTED LOAD	220.22	KVA
50% (AMOUNT OVER 200) + 200		KVA
TOTAL DEMAND LOAD	210.11	KVA
TOTAL DEMAND AMPACITY	583.21	AMPS
SERVICE AMPACITY	800	AMPS
SPARE CAPACITY	216.79	AMPS

SWED, BR., DWGNO: 5/15/2018 11:24 AM
PRINTED BY: DWING/7/7/2018 1:45 PM
1200_2180172_E301_Electrical_Single_Line_Diagram.dwg

Order Plans @ www.LDITLine.com