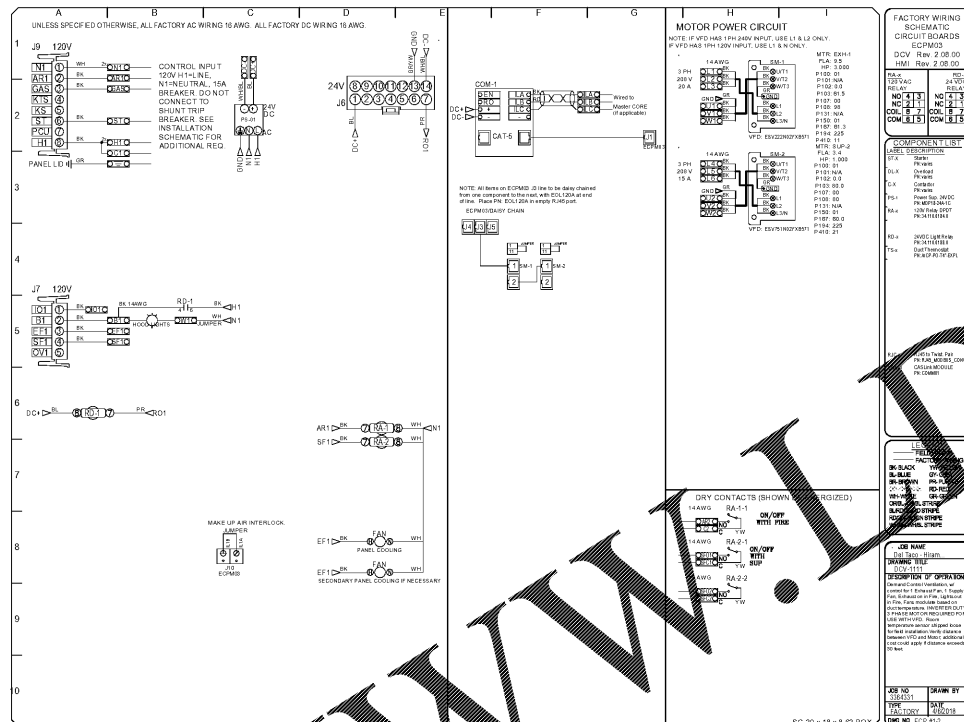
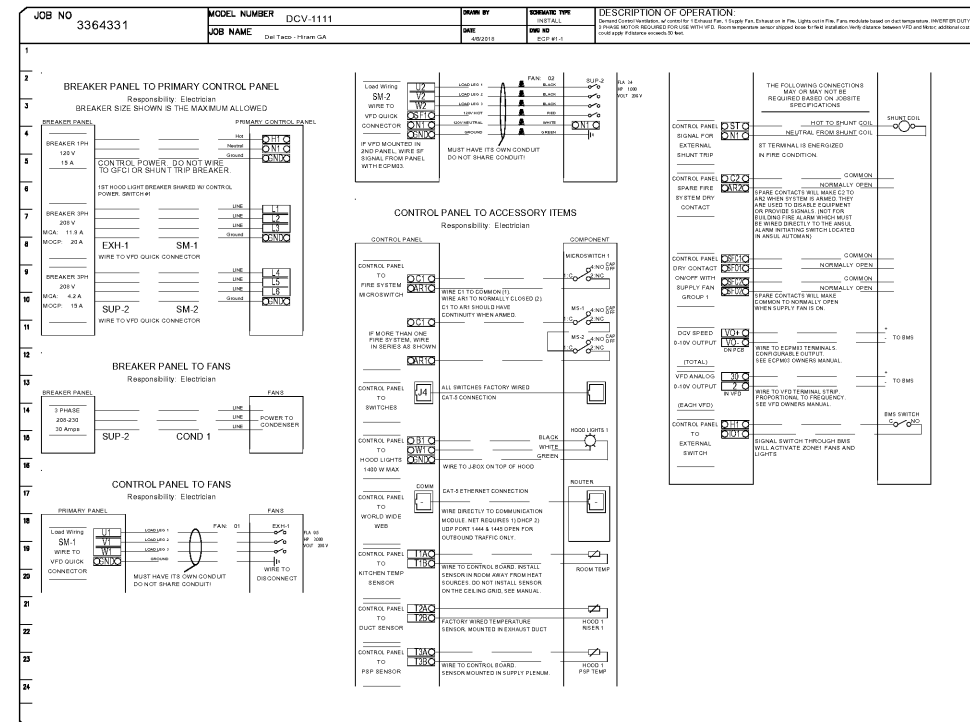


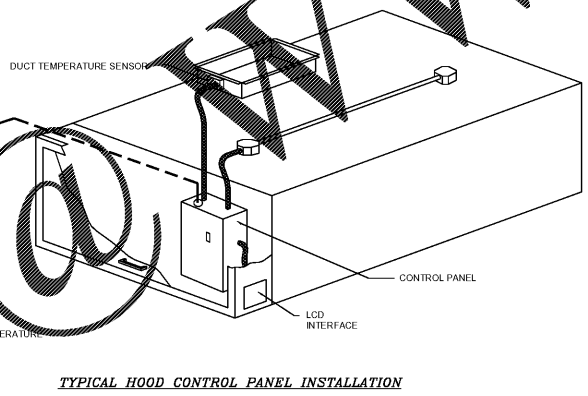
**ELECTRICAL PACKAGES - Job#3364331**

NO	TAG	PACKAGE #	LOCATION	SWITCHES		OPTION	FANS CONTROLLED				
				LOCATION	QUANTITY		TYPE	#	H.P.	VOLT	FLA
1		DCV-1111	Utility Cabinet Right	04 - Utility Cabinet Right	1 Light	Smart Controls DCV	Exhaust	3	3 000	208	9.5
				Hood # 1	1 Fan		Supply	3	1 000	208	3.4



**Demand Control Ventilation Hood Control Panel Specifications:**

- Controls shall be listed by ETL (UL 508A) and shall comply with demand ventilation system turn-down requirements outlined in IECC 403.2.8 (2015).
- The control enclosure shall be NEMA 1 rated and listed for installation inside of the exhaust hood utility cabinet. The control enclosure may be constructed of stainless steel or painted steel.
- Temperature probe(s) located in the exhaust duct riser(s) shall be constructed of stainless steel.
- A digital controller shall be provided to activate the hood exhaust fans dynamically based on a fixed differential between the ambient and duct temperatures sensors. This function shall meet the requirements of IMC 5.7.1.1.
- A digital controller shall provide adjustable hysteresis settings to prevent cycling of the fans after the cooking appliances have been turned off and/or the heat in the exhaust system is reduced.
- A digital controller shall provide an adjustable minimum fan run-time setting to prevent fan cycling.
- Variable Frequency Drives (VFDs) shall be provided for fans as required. The digital controller shall modulate the VFDs between a minimum setpoint and a maximum setpoint on demand. The duct temperature sensor input(s) to the digital controller shall be used to calculate the speed reference signal.
- The VFD speed range of operation shall be from 0% to 100% for the system, with the actual minimum speed set as required to meet minimum ventilation requirements.
- An internal algorithm to the digital controller shall modulate supply fan VFD speed proportional to all exhaust fans that are located in the same fan group as the system fan.
- The system shall operate in PREP MODE during light cooking load or COOL DOWN MODE when sufficient heat remains underneath the hood system after cooking operations have completed. Operation during either of these periods will disable the supply fans and provide an exhaust fan speed that is equal to the minimum ventilation requirement.
- A digital controller shall disable the supply fan(s), activate the exhaust fan(s), activate the appliance shunt trip, and disable an electric gas valve automatically when fire condition is detected on a covered hood.
- A digital controller shall allow for external BMS for control via Dry Contact (external control shall not override fan operation logic as required by code).
- An LCD interface shall be provided with the following features:
  - On/Off push button fan & light switch activation
  - Integrated gas valve shut-off electronic solenoid valves (no reset relay required)
  - VFD Fault display with audible & visual alarm notification
  - Temperature sensor failure detection with audible & visual alarm notification
  - Misconnect duct temperature sensor connection with audible & visual alarm notification
  - A single voltage 5-15 RJ45 wiring connection
  - An energy savings indicator that utilizes measured kWh from the VFDs



**Sequence of Operations:**

- The hood control panel is capable of operating in one or more of the following states at any given time:
  - Automatic:** The system operates based on the differential between room temperature and the temperature at the hood cavity or exhaust duct collar. Fans activate at a configurable temperature differential threshold. Depending on the job configuration each fan zone can be configured as static or dynamic. These terms refer to whether a variable motor (such as EC Motors or VFD driven motors) modulate with temperature. If the panel is equipped with variable speed fans and the zone is defined as "dynamic", these will modulate within a user-defined range based on the temperature differential. Panels equipped with variable speed fans and a fan zone defined as "static", fans will run at a set speed calculated for the drive. Demand control ventilation systems are capable of modulating exhaust and make up air fan speeds per the requirements outlined in IECC 403.2.8.
  - Manual:** The system operates based on human input from an HMI.
  - Schedule:** A weekly schedule can be set to run fans for a specified period throughout the day. There are three occupied times per day to allow for the user to set up a time that is suitable to their needs. Any time that is within the defined occupied time, the system will run at modulation mode and follow the fan procedure algorithm based on temperature during this time. During unoccupied time, the system will have an extra offset to prevent unintended activation of the system during a time where the system is not being occupied.
  - Other:** The system operates based on the input from an external source (DDC, BMS or hard-wired interlock)

Online Plans

REVISIONS	
DESCRIPTION	DATE

CAPTIVE

Southern California Office  
3002 Dow Ave., Suite 410, Tustin, CA 92780 PHONE: (714) 957-1500 FAX: (919) 227-5975 EMAIL: reg@captiveline.com

Del Taco - Hiram GA  
4525 Jimmy Lee Smith Parkway,  
HIRAM, GA, 30141

DATE: 4/6/2018  
DWG.#: 3364331  
DRAWN BY: AHJ-86  
SCALE: 3/4" = 1'-0"  
MASTER DRAWING

SHEET NO.  
4

REVISIONS	NO
4/28/2018	
5/15/2018	

Del Taco

4525 Jimmy Lee Smith Pkwy  
Hiram, GA 30141

chainlink services

In a Hurry? We'll get it done!

DRAWN: K11  
CHECKED: K11  
DATE: 4/5/2018  
SCALE:  

K11

SHEET  
OF 11 SHEETS