

EXHAUST FAN INFORMATION - Job#3364331

FAN UNIT NO.	TAG	FAN UNIT MODEL #	CFM	ESP.	RPM	H.P.	B.H.P.	Ø	VOLT	FLA	DISCHARGE VELOCITY	WEIGHT (LBS.)	SONES
1		DU180HFA	3500	1.350	1389	3.000	1.3920	3	208	9.5	806 FPM	181	22

CONDENSER DETAILS

FAN UNIT NO.	TAG	FAN UNIT MODEL #	CONDENSER NO.	TONNAGE	VOLTAGE	PHASE	FREQUENCY	MCA	RLA	MAX FUSE SIZE	MIN WIRE SIZE	SEER
2		A2-G12-MPU	1	5	208-230	3 PHASE	60 Hz	21.4 Amps	17.4 Amps	30 Amps	12 AWG	14

MUA FAN INFORMATION - Job#3364331

FAN UNIT NO.	TAG	FAN UNIT MODEL #	BLOWER	HOUSING	MIN CFM	DESIGN CFM	ESP.	RPM	H.P.	B.H.P.	Ø	VOLT	FLA	COOLING COIL ENTERING DB TEMP.	COOLING COIL ENTERING WB TEMP.	COOLING COIL LEAVING DB TEMP.	COOLING COIL LEAVING WB TEMP.	COOLING COIL TOTAL CAPACITY	COOLING COIL SENSIBLE CAPACITY	COOLING COIL LATENT CAPACITY	WEIGHT (LBS.)	SONES
2		A2-G12-MPU	G12	A2	-	2800	0.500	733	1,000	0.7270	3	208	3.4	99.0°F	74.0°F	83.1°F	68.5°F	55.7 MBH	46.1 MBH	9.6 MBH	1104	16.8

FAN OPTIONS

FAN UNIT NO.	TAG	OPTION (Qty. - Descr.)
1		1 - Grease Box
2		1 - Insulated Blower Section Size 1-2 Commercial
		1 - Mod Package Unit AC Controls for Untempered Fans
		1 - 5 Ton Single Circuit Modular Packaged Cooling Option for Size 2 MUA (2,000 to 3,000 cfm), 208V/230V, 3 phase. Cooling Thermostat or Programmable Stat Required for Proper Operation.
		1 - Condenser Support for Size 2 Mod Package Unit
		1 - Separate 120V Wiring Package (Required and used only for DCV or Prewire with VFD) - Three Phase Only

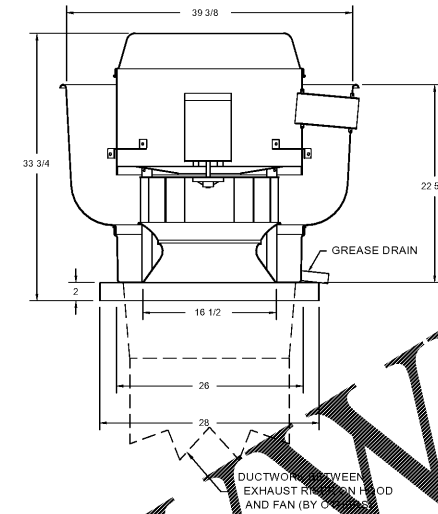
FAN ACCESSORIES

FAN UNIT NO.	TAG	EXHAUST				SUPPLY			
		GREASE CUP	GRAVITY DAMPER	WALL MOUNT	SIDE DISCHARGE	GRAVITY DAMPER	MOTORIZED DAMPER	WALL MOUNT	
1		YES							

CURB ASSEMBLIES

NO.	ON FAN	WEIGHT	ITEM	SIZE
1	#1	41 LBS	Curb	26.500"W x 26.500"L x 20.000"H Vented Hinged
2	#2	42 LBS	Curb	31.000"W x 31.000"L x 15.000"H
	#2		Rail	6.000"W x 31.000"L x 15.000"H
	#2		Rail	6.000"W x 31.000"L x 15.000"H

FAN #1 DU180HFA - EXHAUST FAN

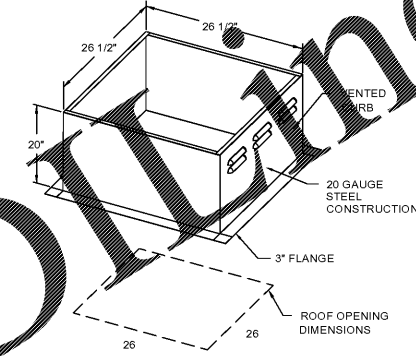


FEATURES:

- DIRECT DRIVE CONSTRUCTION (NO BELTS/PULLEYS)
- ROOF MOUNTED FANS
- RESTAURANT MODEL
- UL705 AND UL762 AND ULC-S645
- VARIABLE SPEED CONTROL
- INTERNAL WIRING
- WEATHERPROOF DISCONNECT
- THERMAL OVERLOAD PROTECTION (SINGLE PHASE)
- HIGH HEAT OPERATION 300°F (149°C)
- GREASE CLASSIFICATION TESTING

NORMAL TEMPERATURE TEST
EXHAUST FAN MUST OPERATE CONTINUOUSLY WHILE EXHAUSTING AIR AT 300°F (149°C) UNTIL ALL FAN PARTS HAVE REACHED THERMAL EQUILIBRIUM, AND WITHOUT ANY DEGRADATING EFFECTS TO THE FAN WHICH WOULD CAUSE UNSAFE OPERATION.

ABNORMAL FLARE TEST
EXHAUST FAN MUST OPERATE CONTINUOUSLY WHILE EXHAUSTING BURNING GREASE VAPORS AT 1000°F (538°C) FOR PERIOD OF 15 MINUTES WITHOUT THE FAN BECOMING DAMAGED TO THE EXTENT THAT IT COULD CAUSE UNSAFE OPERATION.



PITCHED CURBS ARE AVAILABLE FOR PITCHED ROOFS.
SPECIFY PITCH:
EXAMPLE: 7/12 PITCH = 30° SLOPE

REVISIONS

DESCRIPTION	DATE
	4/28/2018
	5/15/2018

CAPTIVE
Southern California Office
3002 Dow Ave., Suite 410, Tustin, CA, 92780 PHONE: (714) 957-1500 FAX: (919) 222-5975 EMAIL: reg666@captiveair.com

Del Taco - Hiram GA
4525 Jimmy Lee Smith Parkway,
HIRAM, GA, 30141

DATE: 4/6/2018

DWG.#: 3364331

DRAWN BY: AHJ-86

SCALE: 3/4" = 1'-0"

MASTER DRAWING

SHEET NO. 2

REVISIONS	NO
4/28/2018	
5/15/2018	

Del Taco - Hiram, GA 30141
4525 Jimmy Lee Smith Pkwy
DEL TACO

chainLink services
The Turnkey Resource

DRAWN:
CHECKED:
DATE: 4/5/2018
SCALE:

K9 SHEET

OF 11 SHEETS

Order Plans @ WWW.WLDIVINE.COM